



T&S BRASS AND BRONZE WORKS, INC.

2 Saddleback Cove / P.O. Box 1088
Travelers Rest, SC 29690

Model No.

B-0133-B08

Item No.

Travelers Rest, SC: 800-476-4103 • Simi Valley, CA: 800-423-0150 • Fax: 864-834-3518 • www.tsbrass.com

This Space for Architect/Engineer Approval

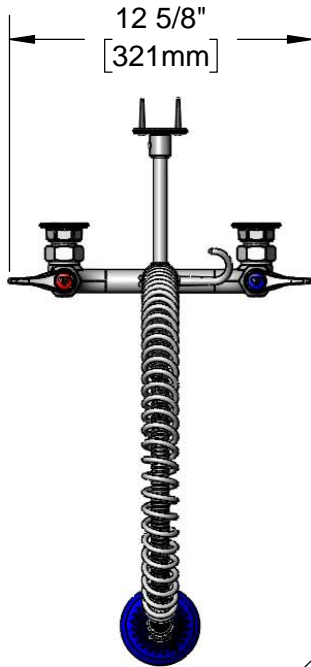
Job Name _____ Date _____

Model Specified _____ Quantity _____

Customer/Wholesaler _____

Contractor _____

Architect/Engineer _____



44" Flexible Stainless Steel Hose w/ Spring & Spray Valve

Items Not Shown For Clarity

Finger Hook

3/8" NPT x 18" Riser

Quarter-Turn Eterna Cartridges w/ Spring Check & Lever Handles w/ Color Coded Indexes

EasyInstall Lock Nut & Bushing

3 11/16" [94mm]

8" [203mm]

Adjustable From 7 3/4" to 8 1/4" [197mm to 210mm]

Ø 2" [51mm] Flanges w/ 1/2" NPT Female Inlets

5 1/2" [140mm]

B-0109-01 6" Wall Bracket

B-0108 1.48 GPM Spray Valve

33 9/16" [852mm]

14 7/16" [366mm]

2 3/8" [61mm]

Mounting Surface

Product Specifications:

Pre-Rinse Unit: EasyInstall 8" Wall Mount Mixing Faucet, Quarter-Turn Eterna Cartridges w/ Spring Checks, Lever Handles, 44" Flexible Stainless Steel Hose, 1.48 GPM Spray Valve, 6" Wall Bracket & 1/2" NPT Female Inlets

Product Compliance:

ASME A112.18.1 / CSA B125.1
NSF 61 - Section 9
NSF 372 (Low Lead Content)
EPA 2005 (PRSV)



T&S BRASS AND BRONZE WORKS, INC.

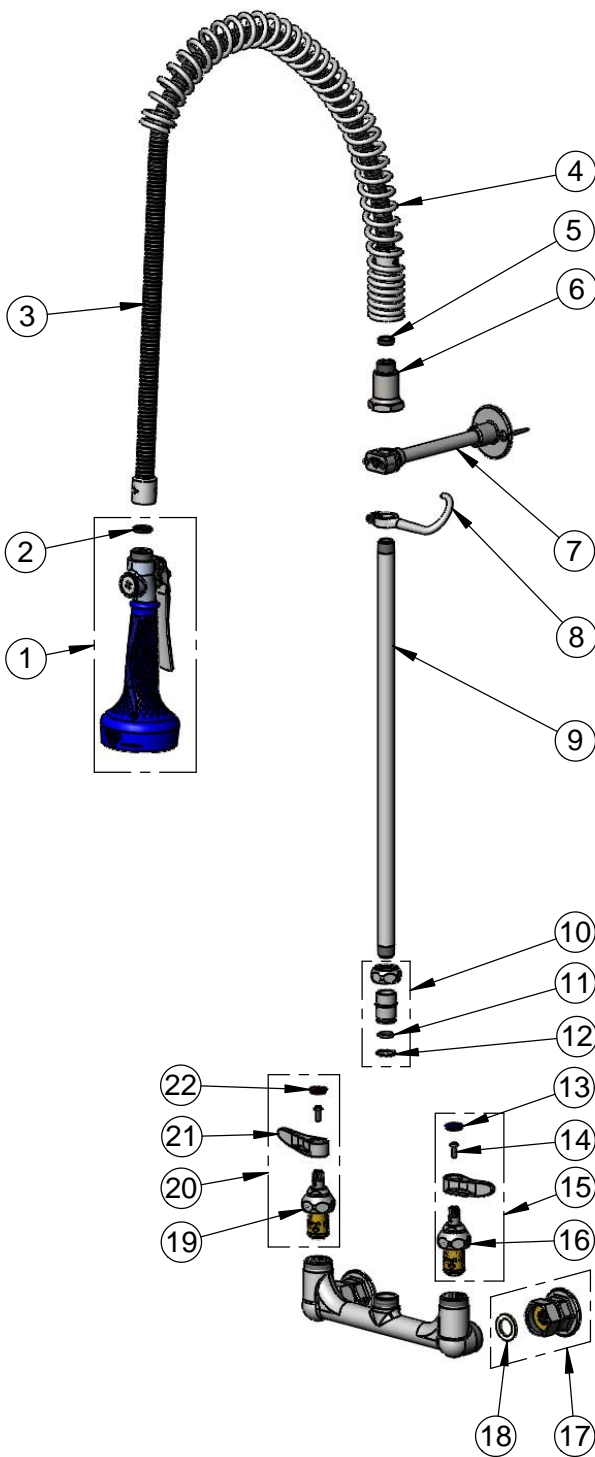
2 Saddleback Cove / P.O. Box 1088
Travelers Rest, SC 29690

Model No.

B-0133-B08

Item No.

Travelers Rest, SC: 800-476-4103 • Simi Valley, CA: 800-423-0150 • Fax: 864-834-3518 • www.tsbrass.com



| ITEM NO. | SALES NO. | DESCRIPTION |
|----------|-------------|--|
| 1 | B-0108 | 1.48 GPM Spray Valve w/ Ergo-Grip |
| 2 | 001014-45 | Washer, B-0100 Hose Barrel |
| 3 | B-0044-H2A | 44" Flexible Stainless Steel Hose, Less Handle |
| 4 | 000888-45 | EasyInstall Overhead Spring |
| 5 | 010476-45 | #27 Washer |
| 6 | 000821-40 | Spring Body |
| 7 | B-0109-01 | 6" Wall Bracket |
| 8 | 004R | Finger Hook |
| 9 | 000369-40 | 3/8" NPT x 18" Riser |
| 10 | EZ-K | EasyInstall Kit |
| 11 | 001065-45 | O-Ring |
| 12 | 014200-45 | Star Washer, Anti-Rotation |
| 13 | 018506-19NS | Blue Button Index, Press-in |
| 14 | 000925-45 | Lab Handle Screw |
| 15 | 002711-40NS | Quarter-Turn Eterna Cartridge w/ Spring Check, Handle, Blue Index & Screw, LTC |
| 16 | 012442-40NS | Quarter-Turn Eterna Cartridge w/ Spring Check, LTC |
| 17 | 00AA | 1/2" NPT Female Eccentric Flange |
| 18 | 001019-45 | Coupling Nut Washer |
| 19 | 012443-40NS | Quarter-Turn Eterna Cartridge w/ Spring Check, RTC |
| 20 | 002712-40NS | Quarter-Turn Eterna Cartridge w/ Spring Check, Handle, Red Index & Screw, RTC |
| 21 | 001638-45NS | Lever Handle (New Style) |
| 22 | 001193-19NS | Red Button Index, Press-in |

Product Specifications:

Pre-Rinse Unit: EasyInstall 8" Wall Mount Mixing Faucet, Quarter-Turn Eterna Cartridges w/ Spring Checks, Lever Handles, 44" Flexible Stainless Steel Hose, 1.48 GPM Spray Valve, 6" Wall Bracket & 1/2" NPT Female Inlets

Product Compliance:

ASME A112.18.1 / CSA B125.1
NSF 61 - Section 9
NSF 372 (Low Lead Content)
EPA Act 2005 (PRSV)