



T&S BRASS AND BRONZE WORKS, INC.

2 Saddleback Cove / P.O. Box 1088
Travelers Rest, SC 29690

Model No.

B-0133-B-145X

Item No.

Travelers Rest, SC: 800-476-4103 • Simi Valley, CA: 800-423-0150 • Fax: 864-834-3518 • www.tsbrass.com

This Space for Architect/Engineer Approval

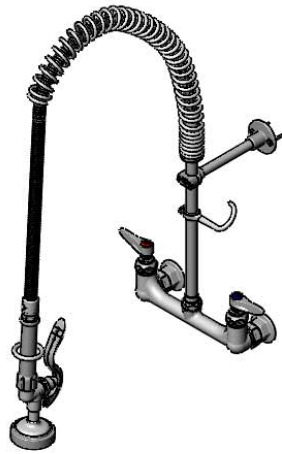
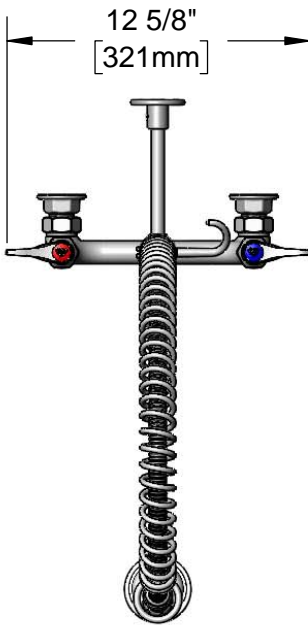
Job Name _____ Date _____

Model Specified _____ Quantity _____

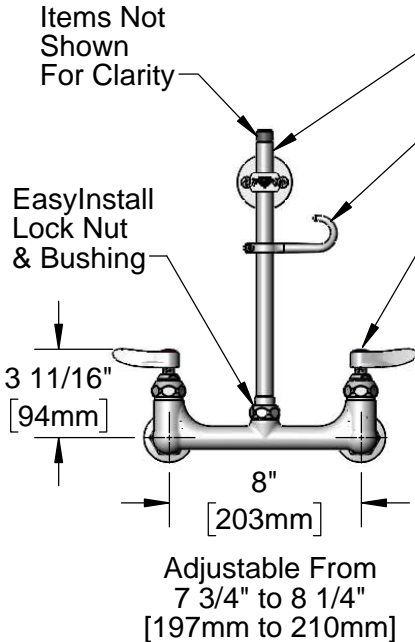
Customer/Wholesaler _____

Contractor _____

Architect/Engineer _____



44" Flexible Stainless Steel Hose w/ Spring & Spray Valve



Items Not Shown For Clarity

3/8" NPT x 12" Riser

Finger Hook

Quarter-Turn Eterna Cartridges w/ Spring Checks & Lever Handles w/ Color Coded Indexes

EasyInstall Lock Nut & Bushing

B-0107 1.42 GPM Spray Valve

B-0109-01 6" Wall Bracket

2 3/8" [61mm]

27 3/8" [695mm]

2 1/4" [56mm]

14 1/16" [357mm]

Ø2" [51mm] Flanges w/ 1/2" NPT Female Inlets

Mounting Surface

Product Specifications:

Pre-Rinse Unit: EasyInstall 8" Wall Mount Mixing Faucet, Quarter-Turn Eterna Cartridges w/ Spring Checks, Lever Handles, 12" Riser, 44" Flexible Stainless Steel Hose, 1.42 GPM Spray Valve, 6" Wall Bracket & 1/2" NPT Female Inlets

Product Compliance:

ASME A112.18.1 / CSA B125.1
NSF 61 - Section 9
NSF 372 (Low Lead Content)
EPA Act 2005 (PRSV)



T&S BRASS AND BRONZE WORKS, INC.

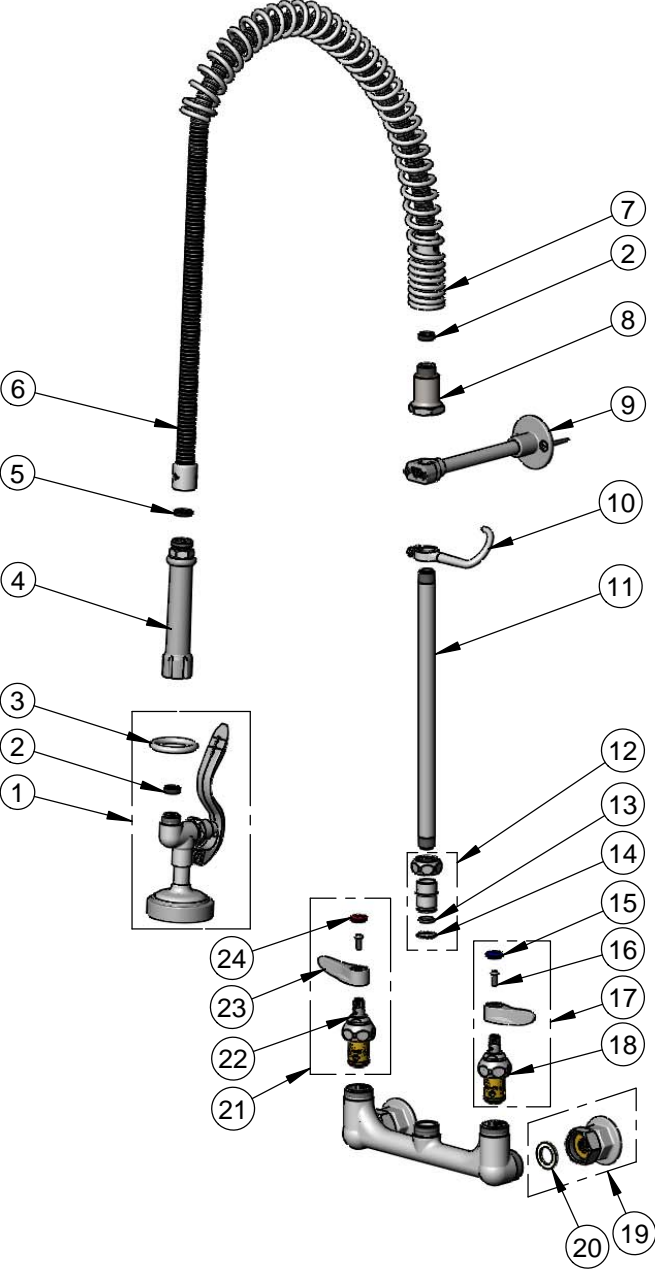
2 Saddleback Cove / P.O. Box 1088
Travelers Rest, SC 29690

Model No.

B-0133-B-145X

Item No.

Travelers Rest, SC: 800-476-4103 • Simi Valley, CA: 800-423-0150 • Fax: 864-834-3518 • www.tsbrass.com

	ITEM NO.	SALES NO.	DESCRIPTION
		1	B-0107
	2	010476-45	#27 Washer
	3	000907-45	Spray Valve Hold Down Ring
	4	002987-40	Grip Handle
	5	001014-45	Washer, B-0100 Hose Barrel
	6	B-044-H2A	44" Flexible Stainless Steel Hose, Less Handle
	7	000888-45	EasyInstall Overhead Spring
	8	000821-40	Spring Body
	9	B-0109-01	6" Wall Bracket Body
	10	004R	Finger Hook
	11	145X	Nipple, 3/8" NPT x 12"
	12	EZ-K	EasyInstall Kit w/ Nut, Bushing, O-Ring and Lock washer
	13	001065-45	O-Ring
	14	014200-45	Star Washer, Anti-Rotation
	15	018506-19NS	Blue Button Index, Press-in
	16	000925-45	Lab Handle Screw
	17	002711-40NS	Quarter-Turn Eterna Cartridge, LTC w/ Spring Check, Handle, Index and Screw
	18	012442-40NS	Quarter-Turn Eterna Cartridge, LTC w/ Spring Check
	19	00AA	1/2" NPT Female Eccentric Flange
	20	001019-45	Coupling Nut Washer
	21	002712-40NS	Quarter-Turn Eterna Cartridge, LTC w/ Spring Check, Handle, Index and Screw
	22	012443-40NS	Quarter-Turn Eterna Cartridge, RTC w/ Spring Check
	23	001638-45NS	Lever Handle (New Style)
	24	001193-19NS	Red Button Index, Press-in

Product Specifications:
Pre-Rinse Unit: EasyInstall 8" Wall Mount Mixing Faucet, Quarter-Turn Eterna Cartridges w/ Spring Checks, Lever Handles, 12" Riser, 44" Flexible Stainless Steel Hose, 1.42 GPM Spray Valve, 6" Wall Bracket & 1/2" NPT Female Inlets

Product Compliance:
ASME A112.18.1 / CSA B125.1
NSF 61 - Section 9
NSF 372 (Low Lead Content)
EPA Act 2005 (PRSV)