



# T&S BRASS AND BRONZE WORKS, INC.

2 Saddleback Cove / P.O. Box 1088  
Travelers Rest, SC 29690

Model No.

**B-0133-B-02**

Item No.

Travelers Rest, SC: 800-476-4103 • Simi Valley, CA: 800-423-0150 • Fax: 864-834-3518 • www.tsbrass.com

This Space for Architect/Engineer Approval

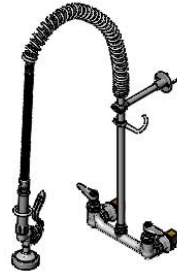
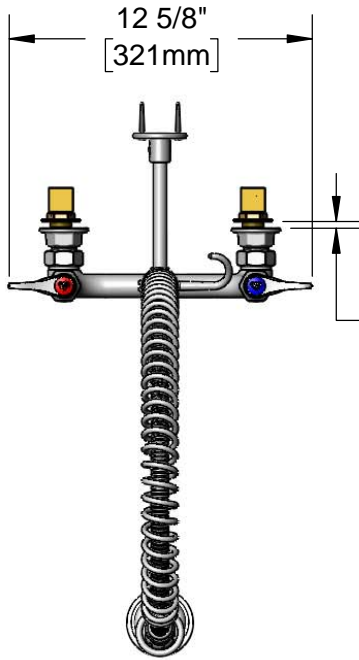
Job Name \_\_\_\_\_ Date \_\_\_\_\_

Model Specified \_\_\_\_\_ Quantity \_\_\_\_\_

Customer/Wholesaler \_\_\_\_\_

Contractor \_\_\_\_\_

Architect/Engineer \_\_\_\_\_



3/16"  
[7mm]  
Maximum  
Thickness

44" Flexible  
Stainless Steel  
Hose w/ Spring  
& Spray Valve

Items Not  
Shown  
for Clarity

Finger Hook

3/8" NPT x  
18" Riser

EasyInstall  
Lock Nut  
& Bushing

3 11/16"  
[94mm]

8"  
[203mm]

Adjustable From  
7 3/4" to 8 1/4"  
[197mm to 210mm]

B-0107  
1.42 GPM  
Spray Valve

3 3/4"  
[95mm]

Quarter-Turn  
Eterna Cartridges  
w/ Spring Checks  
& Lever Handles  
w/ Color Coded  
Indexes

2 3/8"  
[61mm]

14 1/16"  
[357mm]

B-0109-01  
6" Wall  
Bracket

33 3/8"  
[848mm]

B-0230-K  
Installation Kit  
w/ 1/2" NPT  
Male Inlets

Mounting  
Surface

**Product Specifications:**

Pre-Rinse Unit: EasyInstall 8" Wall Mount Mixing Faucet, Quarter-Turn Eterna Cartridges w/ Spring Checks, Lever Handles, 44" Flexible Stainless Steel Hose, 1.42 GPM Spray Valve, 6" Wall Bracket & Installation Kit w/ 1/2" NPT Male Inlets

**Product Compliance:**

ASME A112.18.1 / CSA B125.1  
NSF 61 - Section 9  
NSF 372 (Low Lead Content)  
EPA 2005 (PRSV)



# T&S BRASS AND BRONZE WORKS, INC.

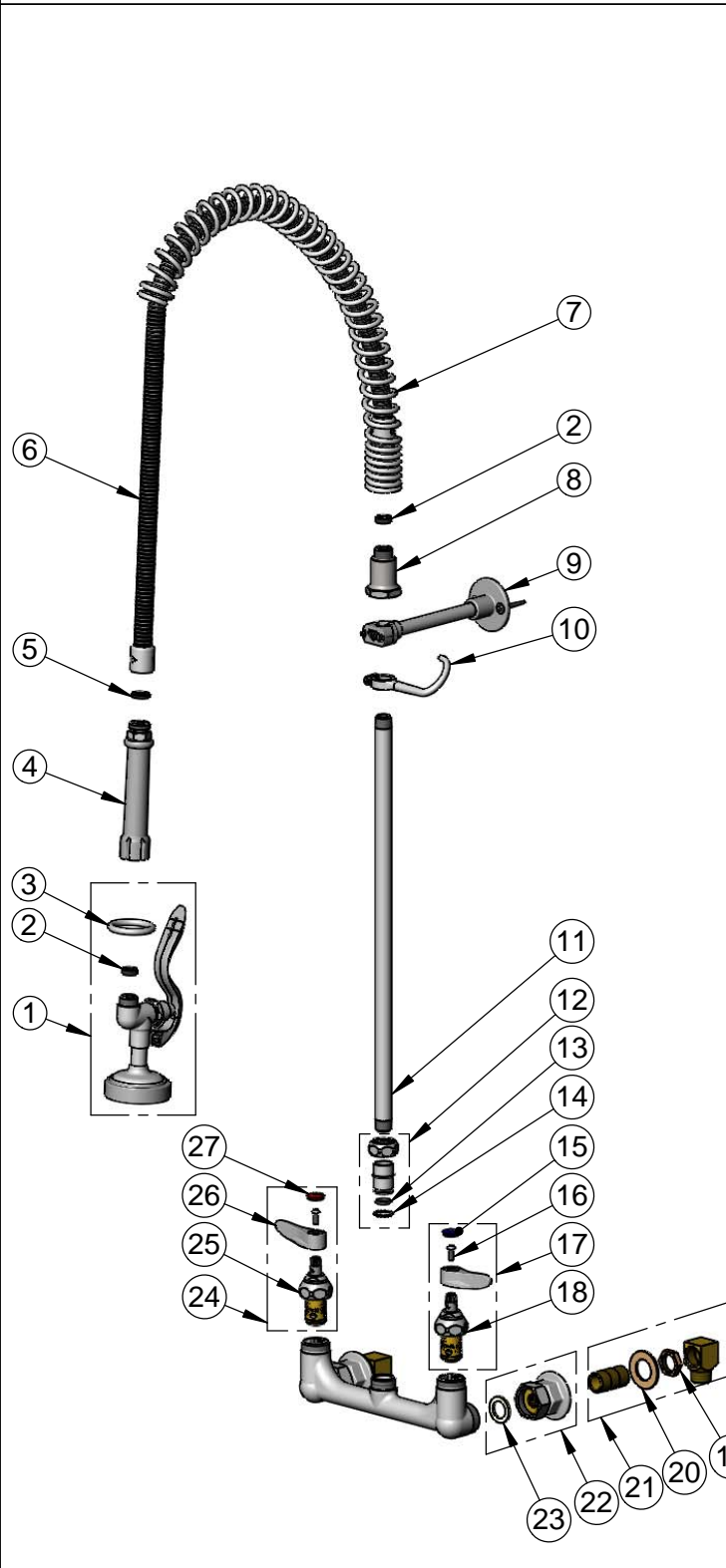
2 Saddleback Cove / P.O. Box 1088  
Travelers Rest, SC 29690

Model No.

**B-0133-B-02**

Item No.

Travelers Rest, SC: 800-476-4103 • Simi Valley, CA: 800-423-0150 • Fax: 864-834-3518 • www.tsbrass.com

	ITEM NO.	SALES NO.	DESCRIPTION
		1	B-0107
	2	010476-45	#27 Washer
	3	000907-45	Spray Valve Hold Down Ring
	4	002987-40	Grip Handle
	5	001014-45	Washer, B-0100 Hose Barrel
	6	B-0044-H2A	44" Flexible Stainless Steel Hose, Less Handle
	7	000888-45	EasyInstall Overhead Spring
	8	000821-40	Spring Body
	9	B-0109-01	6" Wall Bracket
	10	004R	Finger Hook
	11	000369-40	3/8" NPT x 18" Riser
	12	EZ-K	EasyInstall Kit: Nut, Bushing, O-Ring & Lock Washer
	13	001065-45	O-Ring
	14	014200-45	Star Washer, Anti-Rotation
	15	018506-19NS	Blue Button Index, Press-in
	16	000925-45	Lab Handle Screw
	17	002711-40NS	Quarter-Turn Eterna Cartridge, LTC w/ Spring Check, Handle, Index & Screw
	18	012442-40NS	Quarter-Turn Eterna Cartridge, LTC w/ Spring Check
	19	002954-45	Shank Lock Nut
	20	000999-45	Brass Lock Washer
	21	B-0230-K	Short Elbow Installation Kit
	22	00AA	1/2" NPT Female Eccentric Flange
	23	001019-45	Coupling Nut Washer
	24	002712-40NS	Quarter-Turn Eterna Cartridge, RTC w/ Spring Check, Handle, Index & Screw
	25	012443-40NS	Quarter-Turn Eterna Cartridge, RTC w/ Spring Check
	26	001638-45NS	Lever Handle (New Style)
	27	001193-19NS	Red Button Index, Press-in

**Product Specifications:**  
Pre-Rinse Unit: EasyInstall 8" Wall Mount Mixing Faucet, Quarter-Turn Eterna Cartridges w/ Spring Checks, Lever Handles, 44" Flexible Stainless Steel Hose, 1.42 GPM Spray Valve, 6" Wall Bracket & Installation Kit w/ 1/2" NPT Male Inlets

**Product Compliance:**  
ASME A112.18.1 / CSA B125.1  
NSF 61 - Section 9  
NSF 372 (Low Lead Content)  
EPA Act 2005 (PRSV)