



**T&S BRASS AND BRONZE WORKS, INC.**  
 2 Saddleback Cove / P.O. Box 1088  
 Travelers Rest, SC 29690

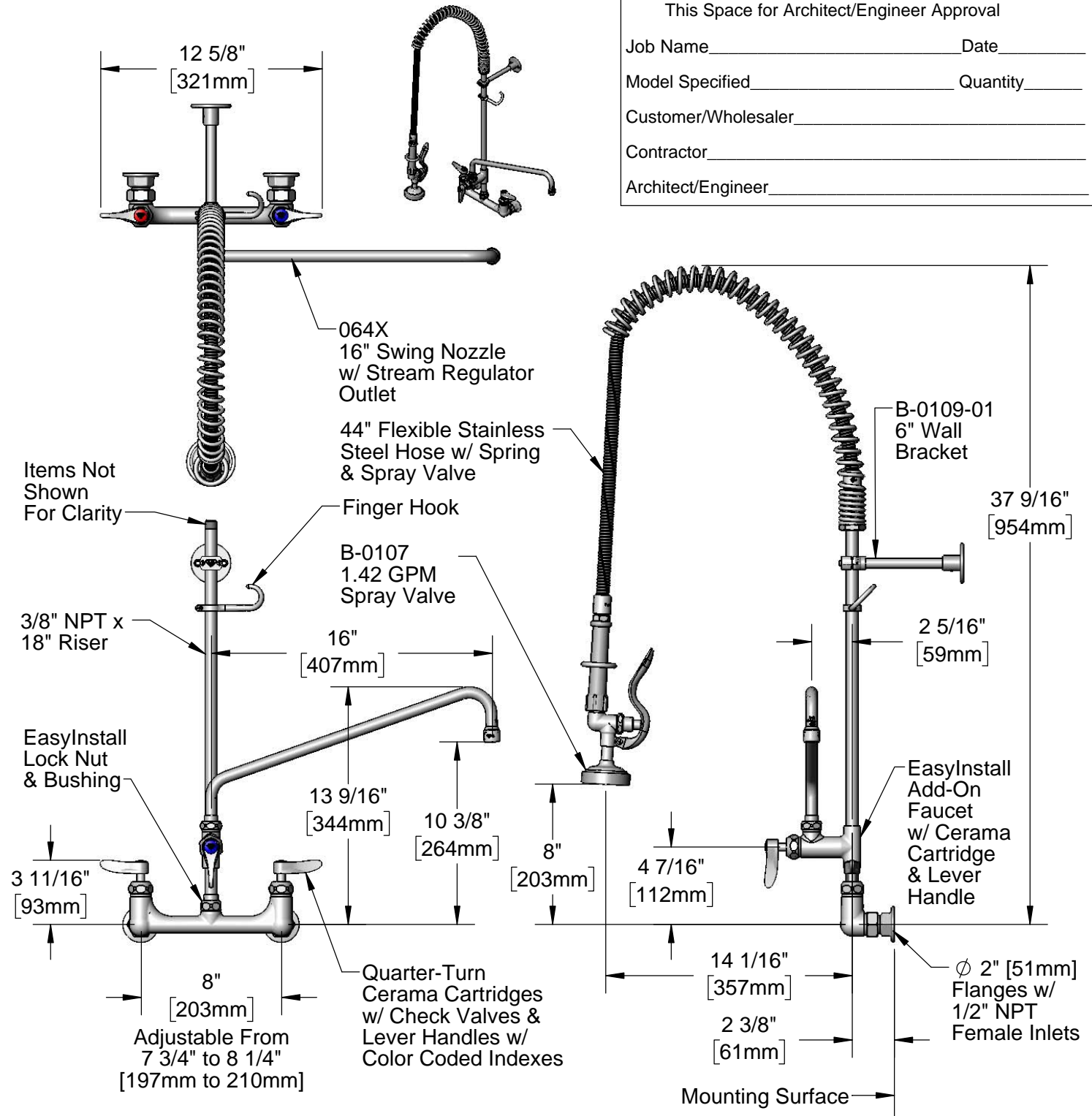
Model No.  
**B-0133-A16-CR-B**

Item No.

Travelers Rest, SC: 800-476-4103 • Simi Valley, CA: 800-423-0150 • Fax: 864-834-3518 • www.tsbrass.com

This Space for Architect/Engineer Approval

Job Name \_\_\_\_\_ Date \_\_\_\_\_  
 Model Specified \_\_\_\_\_ Quantity \_\_\_\_\_  
 Customer/Wholesaler \_\_\_\_\_  
 Contractor \_\_\_\_\_  
 Architect/Engineer \_\_\_\_\_



**Product Specifications:**  
 Pre-Rinse Unit: EasyInstall 8" Wall Mount Mixing Faucet, Quarter-Turn Cerama Cartridges w/ Check Valves, Lever Handles, Add-On Faucet, 16" Swing Nozzle, 44" Flexible Stainless Steel Hose, 1.42 GPM Spray Valve, 6" Wall Bracket & 1/2" NPT Female Inlets

**Product Compliance:**  
 ASME A112.18.1 / CSA B125.1  
 NSF 61 - Section 9  
 NSF 372 (Low Lead Content)  
 EPA Act 2005 (PRSV)



# T&S BRASS AND BRONZE WORKS, INC.

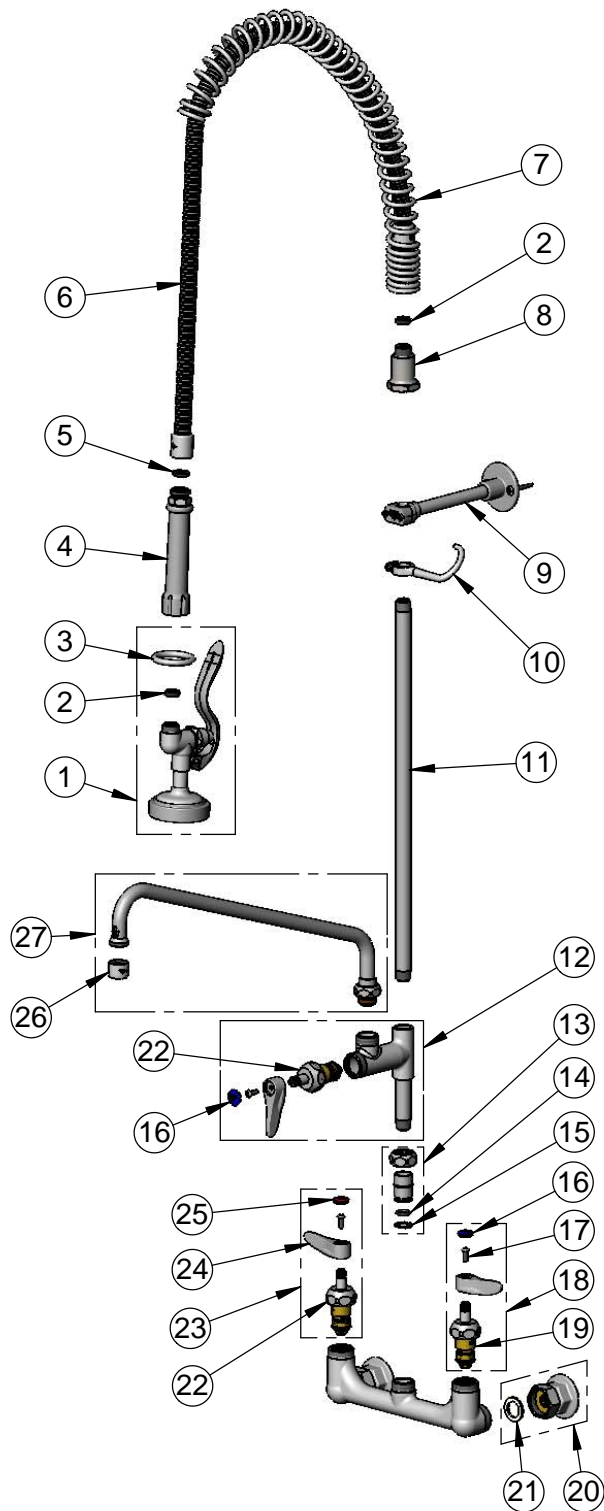
2 Saddleback Cove / P.O. Box 1088  
Travelers Rest, SC 29690

Model No.

**B-0133-A16-CR-B**

Item No.

Travelers Rest, SC: 800-476-4103 • Simi Valley, CA: 800-423-0150 • Fax: 864-834-3518 • www.tsbrass.com



| ITEM NO. | SALES NO.    | DESCRIPTION   |
|----------|--------------|---|
| 1        | B-0107       | 1.42 GPM Spray Valve  |
| 2        | 010476-45    | #27 Washer  |
| 3        | 000907-45    | Spray Valve Hold Down Ring  |
| 4        | 002987-40    | Grip Handle   |
| 5        | 001014-45    | Washer, B-0100 Hose Barrel  |
| 6        | B-0044-H2A   | 44" Flexible Stainless Steel Hose, Less Handle                                  |
| 7        | 000888-45    | EasyInstall Overhead Spring   |
| 8        | 000821-40    | Spring Body   |
| 9        | B-0109-01    | 6" Wall Bracket   |
| 10       | 004R         | Finger Hook   |
| 11       | 000369-40    | 3/8" NPT x 18" Riser  |
| 12       | B-0155-CR-LN | Add-On Faucet w/ Quarter-Turn Cerama Cartridge, RTC & Lever Handle, Less Nozzle |
| 13       | EZ-K         | EasyInstall Kit: Nut, Bushing, O-ring & Lock Washer                             |
| 14       | 001065-45    | O-ring  |
| 15       | 014200-45    | Star Washer, Anti-Rotation  |
| 16       | 018506-19NS  | Blue Button Index, Press-in   |
| 17       | 000925-45    | Lab Handle Screw  |
| 18       | 012447-25NS  | Quarter-Turn Cerama Cartridge w/ Check Valve, Handle, Blue Index & Screw, LTC   |
| 19       | 012395-25NS  | Quarter-Turn Cerama Cartridge w/ Check Valve, LTC                               |
| 20       | 00AA         | 1/2" NPT Female Eccentric Flange  |
| 21       | 001019-45    | Coupling Nut Washer   |
| 22       | 012446-25NS  | Quarter-Turn Cerama Cartridge w/ Check Valve, Handle, Red Index & Screw, RTC    |
| 23       | 012394-25NS  | Quarter-Turn Cerama Cartridge w/ Check Valve, RTC                               |
| 24       | 001638-45NS  | Lever Handle (New Style)  |
| 25       | 001193-19NS  | Red Button Index, Press-in  |
| 26       | B-PT         | Full Flow Stream Regulator, 55/64-27  |
| 27       | 064X         | 16" Swing Nozzle  |

**Product Specifications:**

Pre-Rinse Unit: EasyInstall 8" Wall Mount Mixing Faucet, Quarter-Turn Cerama Cartridges w/ Check Valves, Lever Handles, Add-On Faucet, 16" Swing Nozzle, 44" Flexible Stainless Steel Hose, 1.42 GPM Spray Valve, 6" Wall Bracket & 1/2" NPT Female Inlets

**Product Compliance:**

ASME A112.18.1 / CSA B125.1  
NSF 61 - Section 9  
NSF 372 (Low Lead Content)  
EPA Act 2005 (PRSV)