



T&S BRASS AND BRONZE WORKS, INC.
 2 Saddleback Cove / P.O. Box 1088
 Travelers Rest, SC 29690

Model No.
B-0133-12CRBJST

Item No.

Travelers Rest, SC: 800-476-4103 • Simi Valley, CA: 800-423-0150 • Fax: 864-834-3518 • www.tsbrass.com

This Space for Architect/Engineer Approval

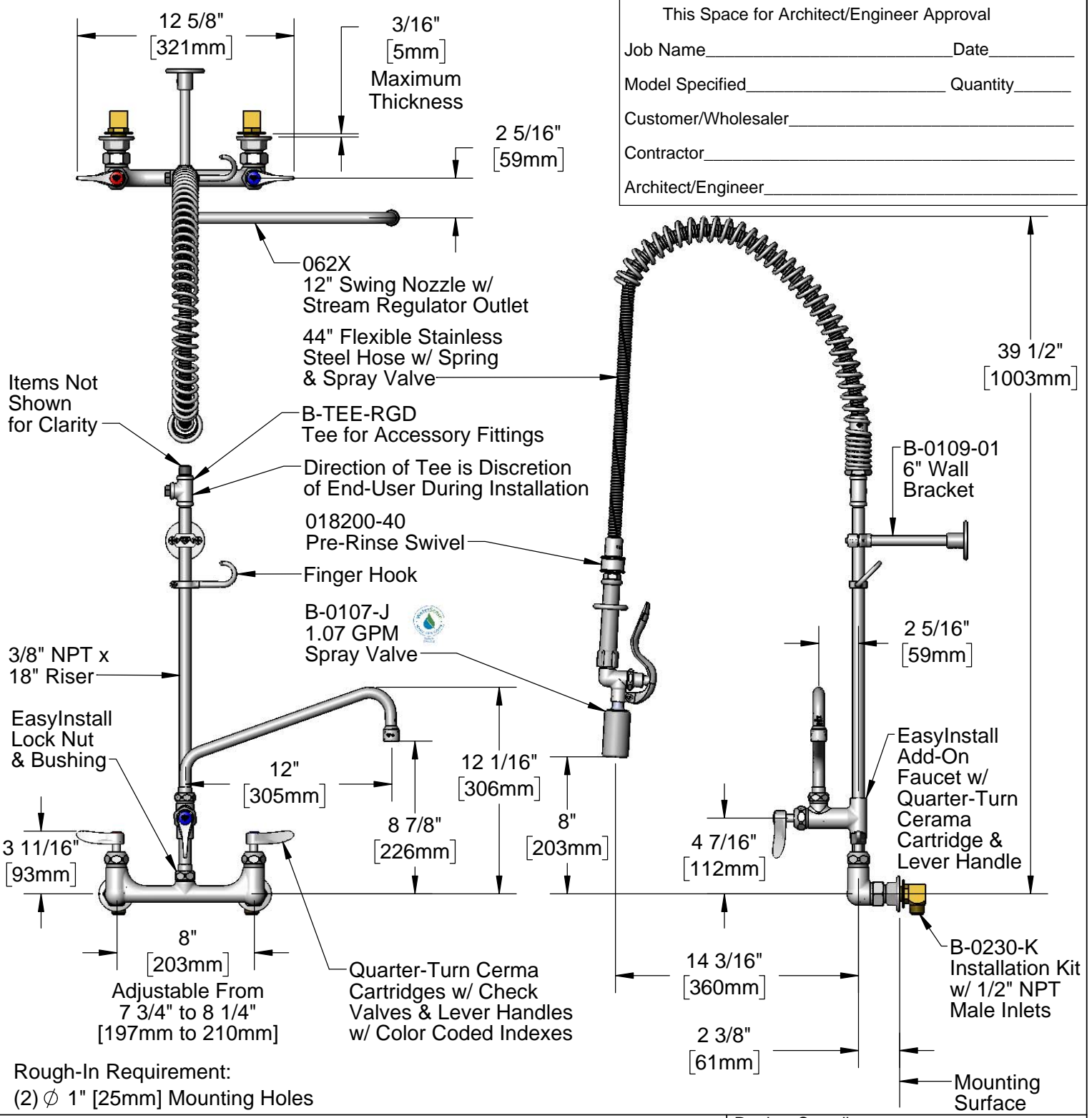
Job Name _____ Date _____

Model Specified _____ Quantity _____

Customer/Wholesaler _____

Contractor _____

Architect/Engineer _____



Product Specifications:
 Pre-Rinse Unit: EasyInstall 8" Wall Mount Mixing Faucet, Quarter-Turn Cerma Cartridges w/ Check Valves, Lever Handles, Add-On Faucet w/ 12" Swing Nozzle, 44" Flexible Stainless Steel Hose, 1.07 GPM Spray Valve w/ Swivel, 6" Wall Bracket, Accessory Fitting Tee & 1/2" NPT Male Installation Kit

Product Compliance:
 ASME A112.18.1 / CSA B125.1
 NSF 61 - Section 9
 NSF 372 (Low Lead Content)
 EPA Act 2005 (PRSV)
 EPA WaterSense (PRSV)



T&S BRASS AND BRONZE WORKS, INC.

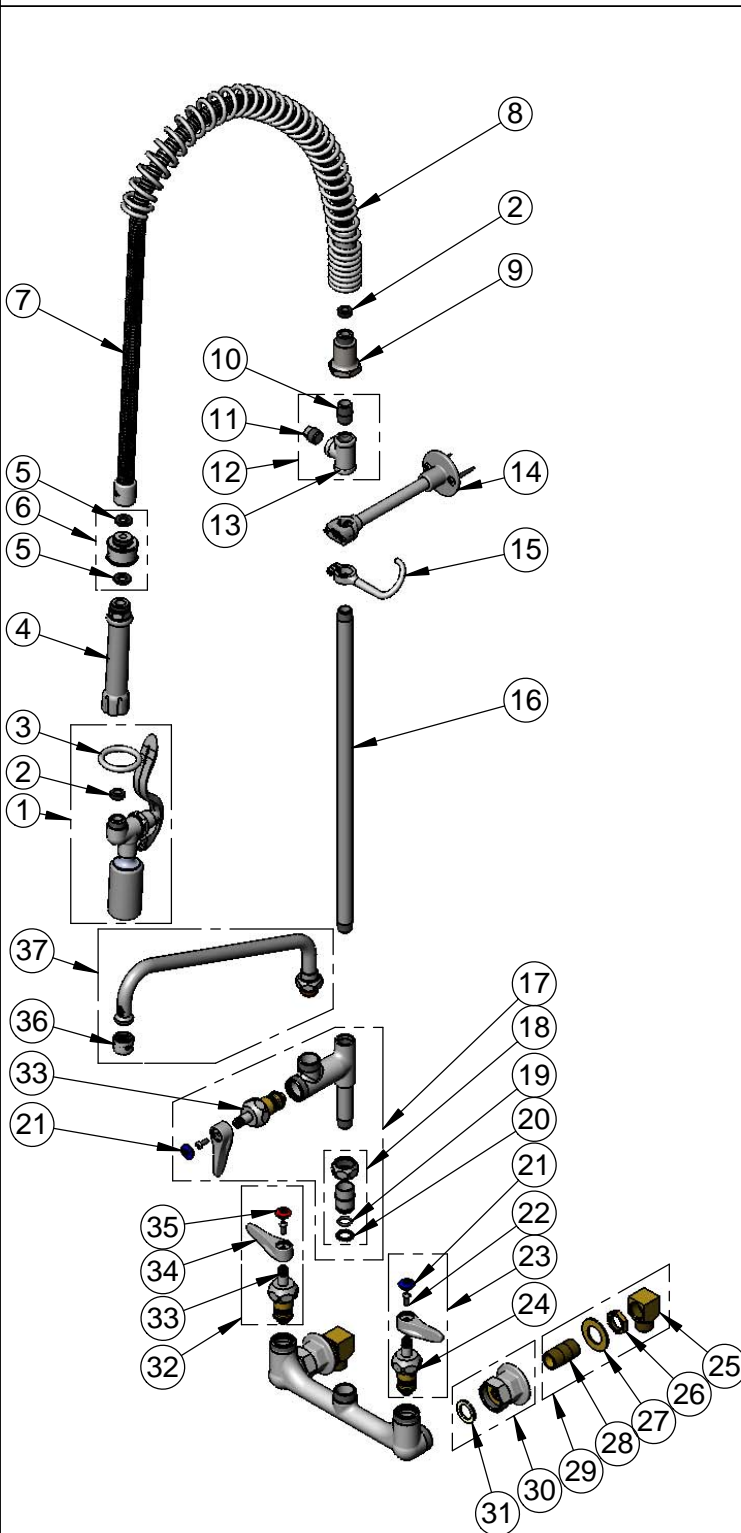
2 Saddleback Cove / P.O. Box 1088
Travelers Rest, SC 29690

Model No.

B-0133-12CRBJST

Item No.

Travelers Rest, SC: 800-476-4103 • Simi Valley, CA: 800-423-0150 • Fax: 864-834-3518 • www.tsbrass.com



ITEM NO.	SALES NO.	DESCRIPTION
1	B-0107-J	1.07 GPM Spray Valve
2	010476-45	#27 Washer
3	000907-45	Spray Valve Hold Down Ring
4	002987-40	Grip Handle
5	001014-45	Washer, B-0100 Hose Barrel
6	018200-40	Pre-Rinse Swivel
7	B-0044-H2A	44" Flexible Stainless Steel Hose, Less Handle
8	000888-45	EasyInstall Overhead Spring
9	000821-40	Spring Body
10	002535-25	3/8" NPT Close Nipple
11	002369-25	3/8" NPT Plug
12	001614-40	3/8" NPT Tee
13	B-TEE-RGD	Rigid Tee
14	B-0109-01	6" Wall Bracket
15	004R	Finger Hook
16	000369-40	3/8" NPT x 18" Riser
17	B-0155-CR-LN	Add-On Faucet, Less Nozzle
18	EZ-K	EasyInstall Kit: Nut, Bushing, O-ring & Lock Washer
19	001065-45	O-Ring
20	014200-45	Star Washer, Anti-Rotation
21	018506-19NS	Blue Button Index, Press-in
22	000925-45	Lab Handle Screw
23	012447-25NS	Quarter-Turn Cerama Cartridge, LTC w/ Check Valve, Handle, Index & Screw
24	012395-25NS	Quarter-Turn Cerama Cartridge, LTC w/ Check Valve
25	B-1100-K	1/2" NPT Male Inlet Elbow
26	002954-45	Shank Lock Nut
27	000999-45	Brass Lock Washer
28	013357-20	1/2" NPT x 1-5/8" Lg. Close Nipple
29	B-0230-K	Short Elbow Installation Kit
30	00AA	1/2" NPT Female Eccentric Flange
31	001019-45	Coupling Nut Washer
32	012446-25NS	Quarter-Turn Cerama Cartridge, RTC w/ Check Valve, Handle, Index & Screw
33	012394-25NS	Quarter-Turn Cerama Cartridge, RTC w/ Check Valve
34	001638-45NS	Lever Handle (New Style)
35	001193-19NS	Red Button Index, Press-in
36	B-PT	Full Flow Stream Regulator, 55/64-27
37	062X	12" Swing Nozzle w/ Stream Regulator Outlet

Product Specifications:

Pre-Rinse Unit: EasyInstall 8" Wall Mount Mixing Faucet, Quarter-Turn Cerama Cartridges w/ Check Valves, Lever Handles, Add-On Faucet w/ 12" Swing Nozzle, 44" Flexible Stainless Steel Hose, 1.07 GPM Spray Valve w/ Swivel, 6" Wall Bracket, Accessory Fitting Tee & 1/2" NPT Male Installation Kit

Product Compliance:

ASME A112.18.1 / CSA B125.1
NSF 61 - Section 9
NSF 372 (Low Lead Content)
EPA Act 2005 (PRSV)
EPA WaterSense (PRSV)