



T&S BRASS AND BRONZE WORKS, INC.

2 Saddleback Cove / P.O. Box 1088
Travelers Rest, SC 29690

Model No.

B-0132

Item No.

Travelers Rest, SC: 800-476-4103 • Simi Valley, CA: 800-423-0150 • Fax: 864-834-3518 • www.tsbrass.com

This Space for Architect/Engineer Approval

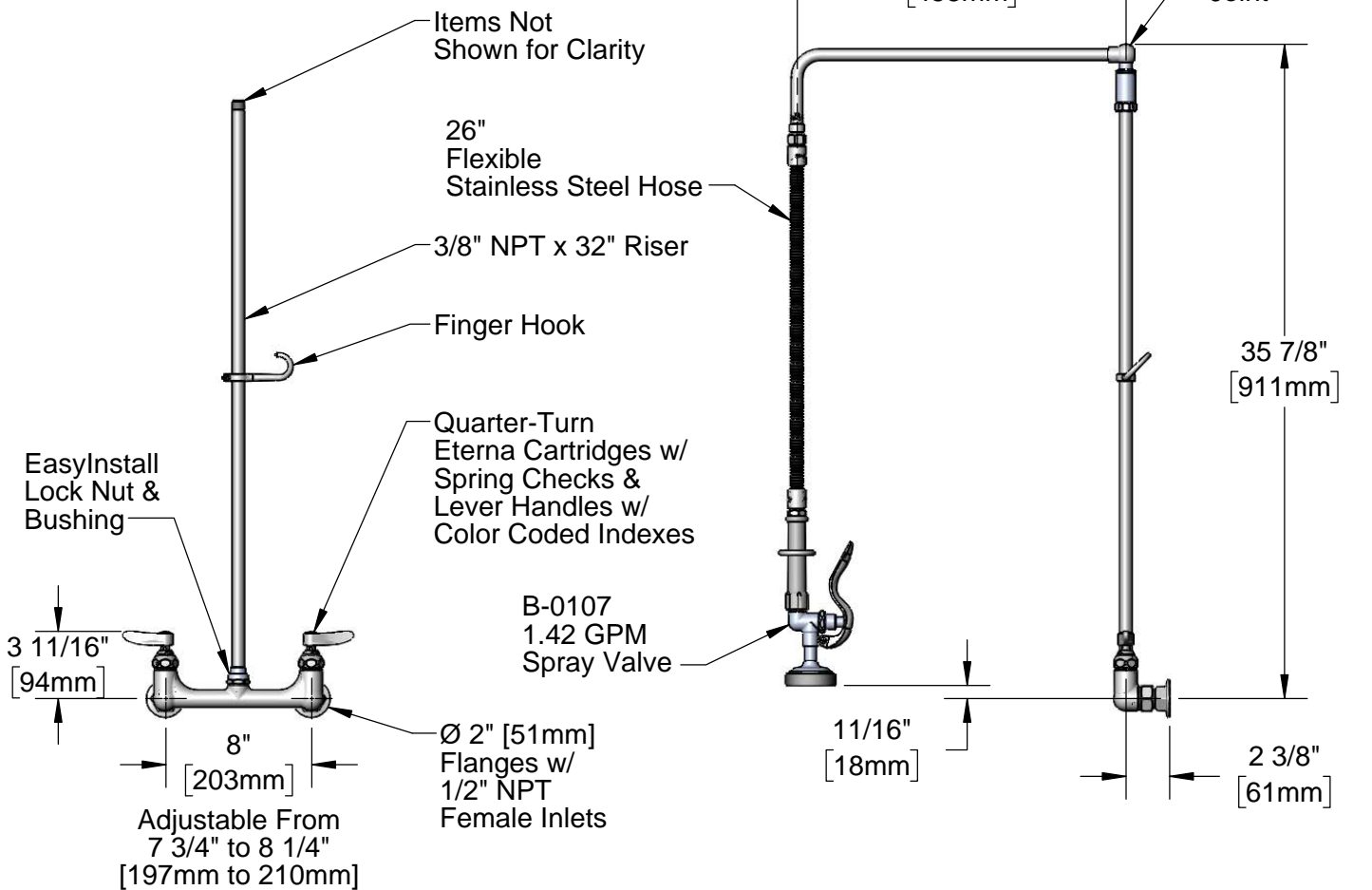
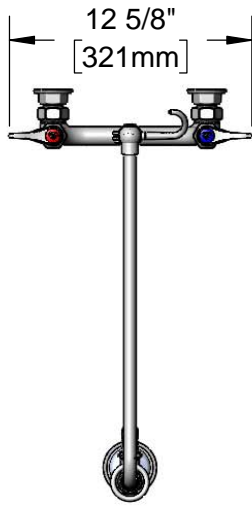
Job Name _____ Date _____

Model Specified _____ Quantity _____

Customer/Wholesaler _____

Contractor _____

Architect/Engineer _____



Product Specifications:

Pre-Rinse Unit: 8" Wall Mount Mixing Faucet, Quarter-Turn Eterna Cartridges w/ Spring Checks, Lever Handles, Overhead Swivel Arm, 26" Flexible Stainless Steel Hose w/ 1.42 GPM Spray Valve, 6" Wall Bracket & 1/2" NPT Female Inlets

Product Compliance:

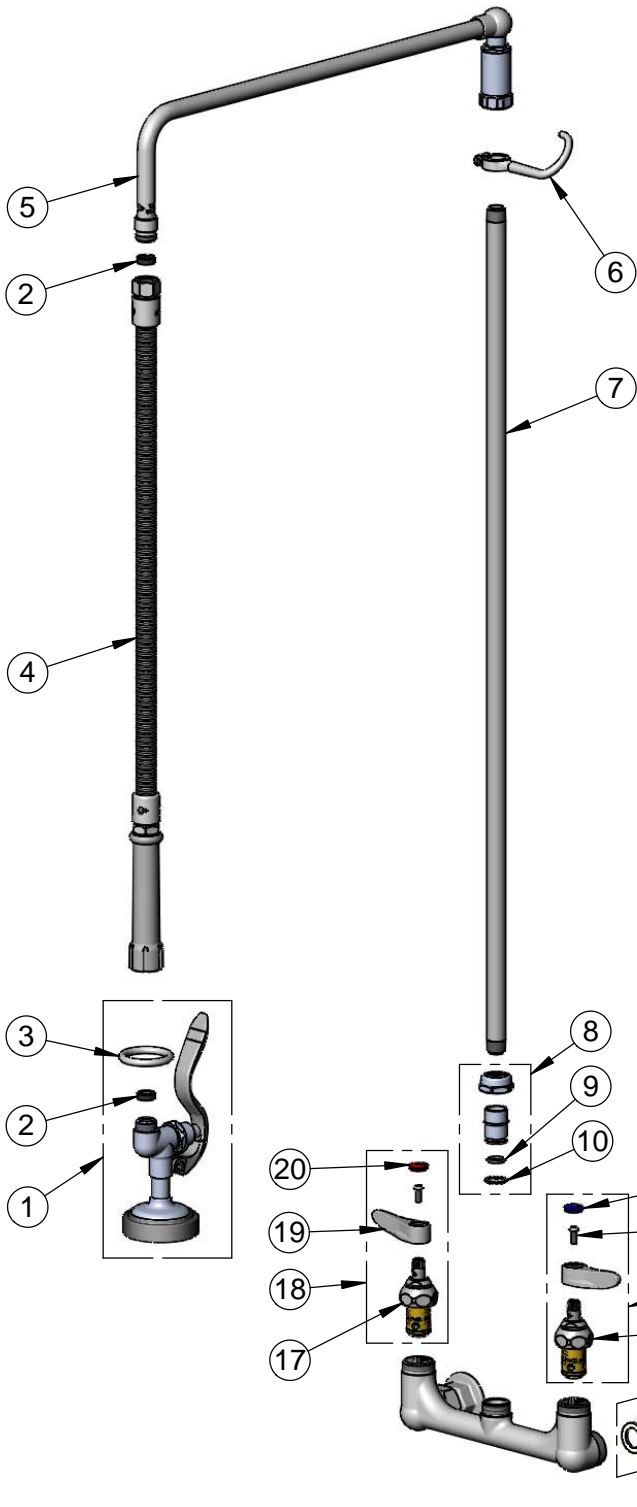
ASME A112.18.1 / CSA B125.1
NSF 61 - Section 9
NSF 372 (Low Lead Content)
EPA Act 2005 (PRSV)



T&S BRASS AND BRONZE WORKS, INC.
 2 Saddleback Cove / P.O. Box 1088
 Travelers Rest, SC 29690

Model No.
B-0132
 Item No.

Travelers Rest, SC: 800-476-4103 • Simi Valley, CA: 800-423-0150 • Fax: 864-834-3518 • www.tsbrass.com



ITEM NO.	SALES NO.	DESCRIPTION
1	B-0107	1.42 GPM Spray Valve
2	010476-45	#27 Washer
3	000907-45	Spray Valve Hold Down Ring
4	B-0026-H	26" Flexible Stainless Steel Hose
5	002883-40	18" Swivel L-Tube
6	004R	Finger Hook
7	000376-40	3/8" NPT x 32" Riser
8	EZ-K	EasyInstall Kit
9	001065-45	O-Ring
10	014200-45	Star Washer, Anti-Rotation
11	018506-19NS	Blue Button Index, Press-in
12	000925-45	Lab Handle Screw
13	002711-40NS	Quarter-Turn Eterna Cartridge w/ Spring Check, Handle, Blue Index & Screw, LTC
14	012442-40NS	Quarter-Turn Eterna Cartridge w/ Spring Check, LTC
15	00AA	1/2" NPT Female Eccentric Flange
16	001019-45	Coupling Nut Washer
17	012443-40NS	Quarter-Turn Eterna Cartridge w/ Spring Check, RTC
18	002712-40NS	Quarter-Turn Eterna Cartridge w/ Spring Check, Handle, Red Index & Screw, RTC
19	001638-45NS	Lever Handle (New Style)
20	001193-19NS	Red Button Index, Press-in

Product Specifications:
 Pre-Rinse Unit: 8" Wall Mount Mixing Faucet, Quarter-Turn Eterna Cartridges w/ Spring Checks, Lever Handles, Overhead Swivel Arm, 26" Flexible Stainless Steel Hose w/ 1.42 GPM Spray Valve, 6" Wall Bracket & 1/2" NPT Female Inlets

Product Compliance:
 ASME A112.18.1 / CSA B125.1
 NSF 61 - Section 9
 NSF 372 (Low Lead Content)
 EPA Act 2005 (PRSV)