



T&S BRASS AND BRONZE WORKS, INC.

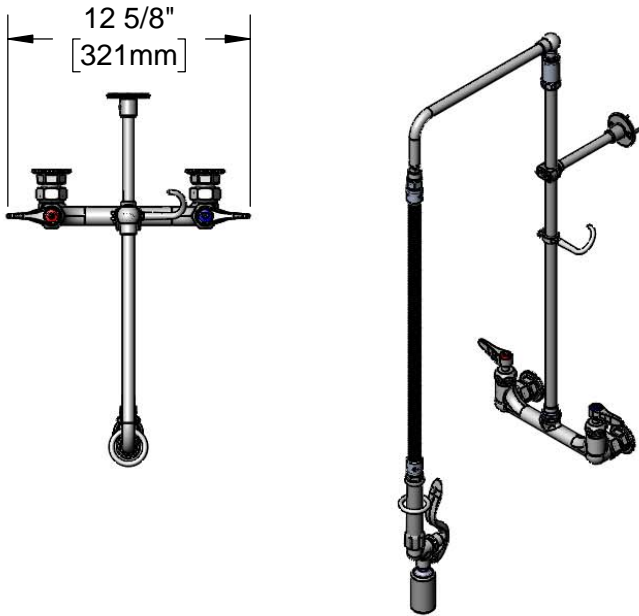
2 Saddleback Cove / P.O. Box 1088
Travelers Rest, SC 29690

Model No.

B-0131-CR-BC28H

Item No.

Travelers Rest, SC: 800-476-4103 • Simi Valley, CA: 800-423-0150 • Fax: 864-834-3518 • www.tsbrass.com



This Space for Architect/Engineer Approval

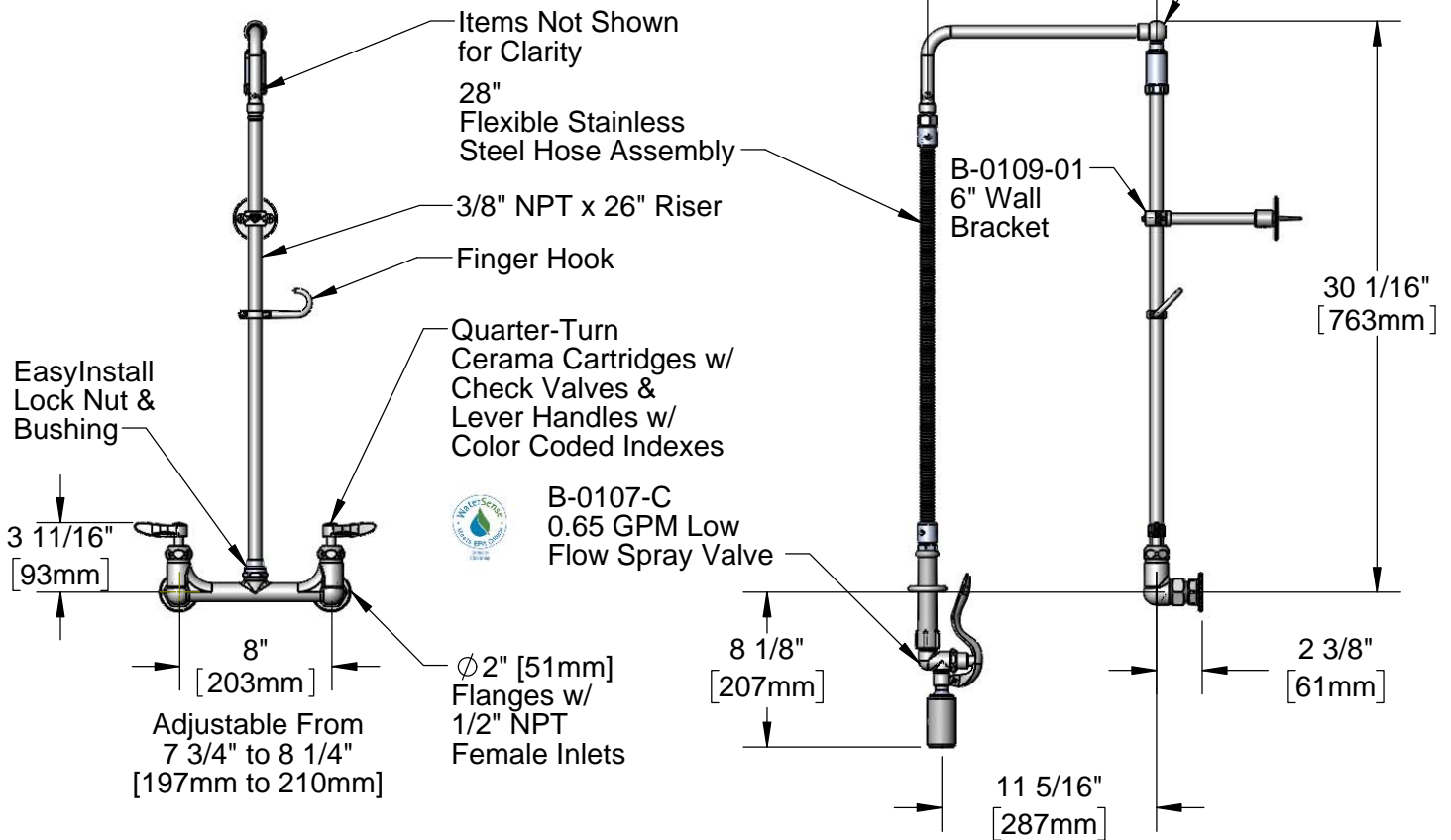
Job Name _____ Date _____

Model Specified _____ Quantity _____

Customer/Wholesaler _____

Contractor _____

Architect/Engineer _____



Product Specifications:

8" Wall Mount Pre-Rinse Unit w/ Lever Handles, Quarter-Turn Cerama Cartridges, 26" Riser, 28" Flexible Stainless Steel Hose, Overhead Swivel Assembly, 0.65 GPM Low Flow Spray Valve, 6" Wall Bracket & 1/2" NPT Female Inlets

Product Compliance:

ASME A112.18.1 / CSA B125.1
NSF 61 - Section 9
NSF 372 (Low Lead Content)
EPA Act 2005 (PRSV)
EPA WaterSense (PRSV)



T&S BRASS AND BRONZE WORKS, INC.

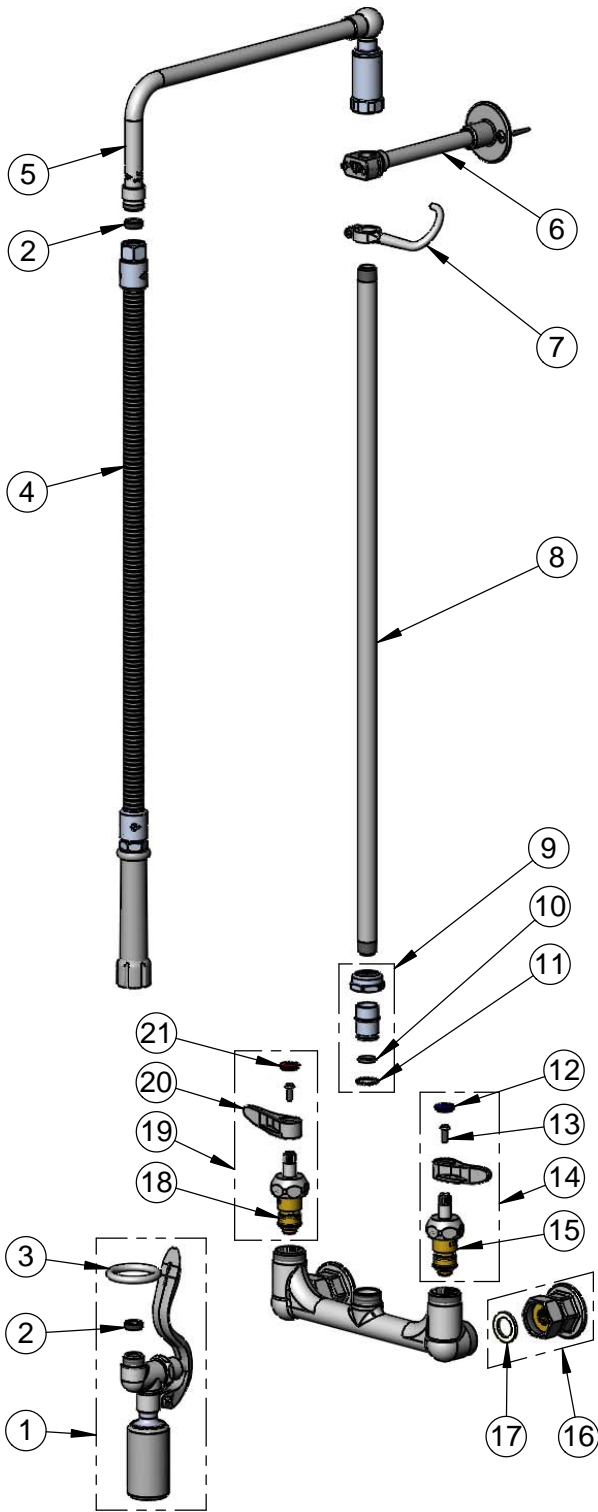
2 Saddleback Cove / P.O. Box 1088
Travelers Rest, SC 29690

Model No.

B-0131-CR-BC28H

Item No.

Travelers Rest, SC: 800-476-4103 • Simi Valley, CA: 800-423-0150 • Fax: 864-834-3518 • www.tsbrass.com



ITEM NO.	SALES NO.	DESCRIPTION
1	B-0107-C	0.65 GPM Low Flow Spray Valve
2	010476-45	#27 Washer
3	000907-45	Spray Valve Hold Down Ring
4	B-0028-H	28" Flexible Stainless Steel Hose w/ Grip Handle
5	002882-40	12" L-Tube Assembly
6	B-0109-01	6" Wall Bracket
7	004R	Finger Hook
8	000373-40	3/8" NPT x 26" Riser
9	EZ-K	EasyInstall Kit
10	001065-45	O-ring
11	014200-45	Star Washer, Anti-Rotation
12	018506-19NS	Blue Button Index, Press-in
13	000925-45	Lab Handle Screw
14	012447-25NS	Quarter-Turn Cerama Cartridge w/ Check Valve, Handle, Blue Index & Screw, LTC
15	012395-25NS	Quarter-Turn Cerama Cartridge w/ Check Valve, LTC
16	00AA	1/2" NPT Female Eccentric Flange
17	001019-45	Coupling Nut Washer
18	012394-25NS	Quarter-Turn Cerama Cartridge w/ Check Valve, RTC
19	012446-25NS	Quarter-Turn Cerama Cartridge w/ Check Valve, Handle, Red Index & Screw, RTC
20	001638-45NS	Lever Handle (New Style)
21	001193-19NS	Red Button Index, Press-in

Product Specifications:

8" Wall Mount Pre-Rinse Unit w/ Lever Handles, Quarter-Turn Cerama Cartridges, 26" Riser, 28" Flexible Stainless Steel Hose, Overhead Swivel Assembly, 0.65 GPM Low Flow Spray Valve, 6" Wall Bracket & 1/2" NPT Female Inlets

Product Compliance:

ASME A112.18.1 / CSA B125.1
NSF 61 - Section 9
NSF 372 (Low Lead Content)
EPA Act 2005 (PRSV)
EPA WaterSense (PRSV)