



T&S BRASS AND BRONZE WORKS, INC.

2 Saddleback Cove / P.O. Box 1088
Travelers Rest, SC 29690

Model No.

B-0131-ADF14-B

Item No.

Travelers Rest, SC: 800-476-4103 • Simi Valley, CA: 800-423-0150 • Fax: 864-834-3518 • www.tsbrass.com

This Space for Architect/Engineer Approval

Job Name _____ Date _____

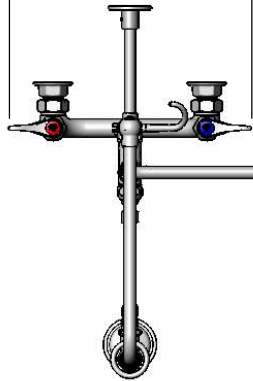
Model Specified _____ Quantity _____

Customer/Wholesaler _____

Contractor _____

Architect/Engineer _____

12 5/8"
[321mm]



063X
14" Swivel Gooseneck
w/ Stream Regulator
Outlet

Items Not Shown
for Clarity

3/8" x 26" Riser

20" Flexible Stainless
Steel Hose w/ Spray
Valve

Finger Hook

B-0107
1.42 GPM Spray Valve

3 11/16"
[94mm]

14"
[356mm]

12 3/4"
[323mm]

9 9/16"
[244mm]

8"
[203mm]

Adjustable From
7 3/4" to 8 1/4"
[197mm to 210mm]

Quarter-Turn
Eterna Cartridges w/
Spring Checks &
Lever Handles w/
Color Coded Indexes

12 1/16"
[306mm]

360° Swivel
Joint

B-0109-01
Wall Bracket

33 5/8"
[853mm]

2 5/16"
[59mm]

EasyInstall
Add-On Faucet
w/ Quarter-Turn
Eterna Cartridge
& Lever Handle

4 7/16"
[113mm]

11 5/16"
[287mm]

2 3/8"
[61mm]

Ø2"
[51mm]
Flanges w/
1/2" NPT
Female Inlets

Mounting Surface

Product Specifications:

Pre-Rinse Unit:

8" Wall Mount Mixing Faucet, Quarter-Turn Eterna Cartridges w/ Spring Checks, Lever Handles, EasyInstall Add-On Faucet w/ 14" Swing Nozzle, Overhead Swivel Arm, 20" Flexible Stainless Steel Hose, 1.42 GPM Spray Valve, 6" Wall Bracket & 1/2" NPT Female Inlets

Product Compliance:

ASME A112.18.1 / CSA B125.1
NSF 61 - Section 9
NSF 372 (Low Lead Content)
EPA Act 2005 (PRSV)



T&S BRASS AND BRONZE WORKS, INC.

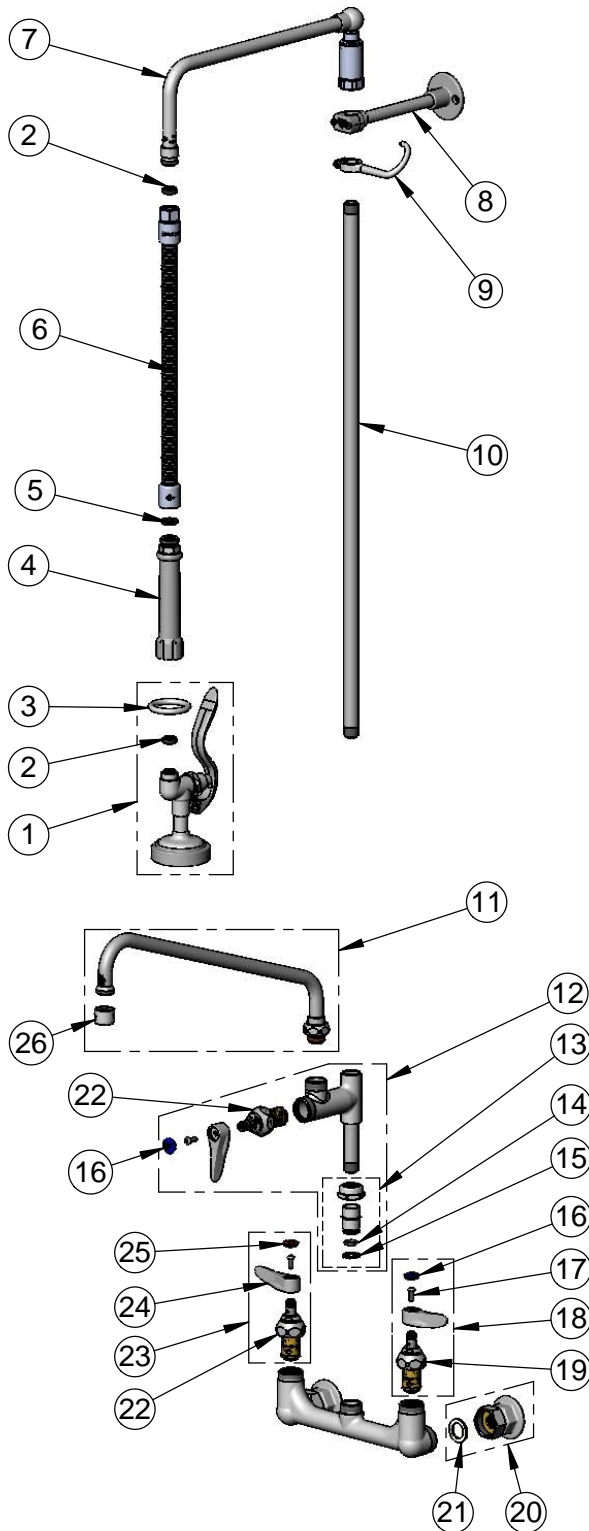
2 Saddleback Cove / P.O. Box 1088
Travelers Rest, SC 29690

Model No.

B-0131-ADF14-B

Item No.

Travelers Rest, SC: 800-476-4103 • Simi Valley, CA: 800-423-0150 • Fax: 864-834-3518 • www.tsbrass.com



| ITEM NO. | SALES NO. | DESCRIPTION |
|----------|-------------|---|
| 1 | B-0107 | 1.42 GPM Spray Valve |
| 2 | 010476-45 | #27 Washer |
| 3 | 000907-45 | Spray Valve Hold Down Ring |
| 4 | 002987-40 | Grip Handle |
| 5 | 001014-45 | Washer, B-0100 Hose Barrel |
| 6 | B-0020-H2A | 20" Flexible Stainless Steel Hose, Less Handle |
| 7 | 002882-40 | 12" Overhead Swivel Arm |
| 8 | B-0109-01 | 6" Wall Bracket |
| 9 | 004R | Finger Hook |
| 10 | 000373-40 | 3/8" NPT x 26" Riser |
| 11 | 063X | 14" Swing Nozzle |
| 12 | B-0155-LNEZ | EasyInstall Add-On Faucet w/ Quarter-Turn Eterna Cartridge, RTC & Lever Handle, Less Nozzle |
| 13 | EZ-K | EasyInstall Kit |
| 14 | 001065-45 | O-Ring |
| 15 | 014200-45 | Star Washer, Anti-Rotation |
| 16 | 018506-19NS | Blue Button Index, Press-in |
| 17 | 000925-45 | Lab Handle Screw |
| 18 | 002711-40NS | Quarter-Turn Eterna Cartridge w/ Spring Check, Handle, Blue Index & Screw, LTC |
| 19 | 012442-40NS | Quarter-Turn Eterna Cartridge w/ Spring Check, LTC |
| 20 | 00AA | 1/2" NPT Female Eccentric Flange |
| 21 | 001019-45 | Coupling Nut Washer |
| 22 | 012443-40NS | Quarter-Turn Eterna Cartridge w/ Spring Check, RTC |
| 23 | 002711-40NS | Quarter-Turn Eterna Cartridge w/ Spring Check, Handle, Red Index & Screw, RTC |
| 24 | 001638-45NS | Lever Handle (New Style) |
| 25 | 001193-19NS | Red Button Index, Press-in |
| 26 | B-PT | Full Flow Stream Regulator, 55/64-27 |

Product Specifications:

Pre-Rinse Unit:

8" Wall Mount Mixing Faucet, Quarter-Turn Eterna Cartridges w/ Spring Checks, Lever Handles, EasyInstall Add-On Faucet w/ 14" Swing Nozzle, Overhead Swivel Arm, 20" Flexible Stainless Steel Hose, 1.42 GPM Spray Valve, 6" Wall Bracket & 1/2" NPT Female Inlets

Product Compliance:

ASME A112.18.1 / CSA B125.1
NSF 61 - Section 9
NSF 372 (Low Lead Content)
EPA Act 2005 (PRSV)