



T&S BRASS AND BRONZE WORKS, INC.

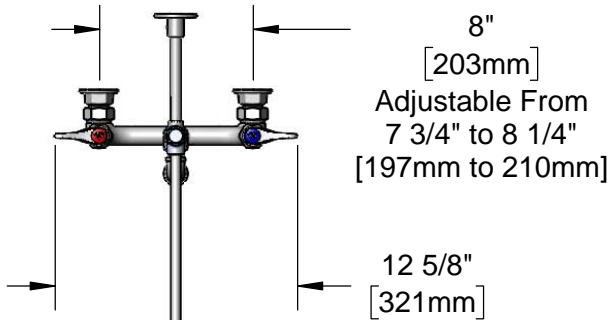
2 Saddleback Cove / P.O. Box 1088
Travelers Rest, SC 29690

Model No.

B-0130

Item No.

Travelers Rest, SC: 800-476-4103 • Simi Valley, CA: 800-423-0150 • Fax: 864-834-3518 • www.tsbrass.com



This Space for Architect/Engineer Approval

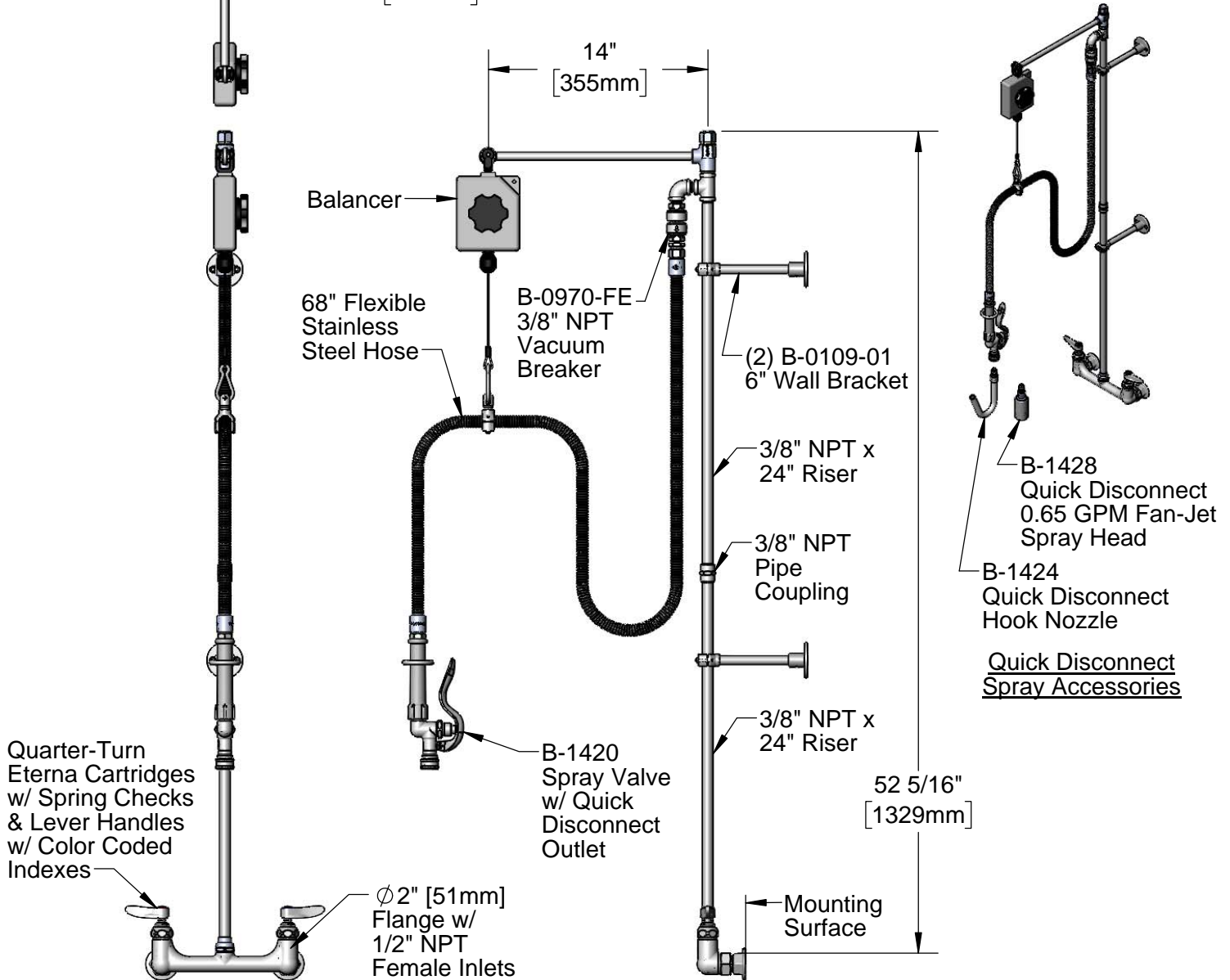
Job Name _____ Date _____

Model Specified _____ Quantity _____

Customer/Wholesaler _____

Contractor _____

Architect/Engineer _____



Product Specifications:

8" Wall Mount Mixing Faucet, Quarter-Turn Eterna Cartridges w/ Spring Checks, Lever Handles, 68" Flexible Stainless Steel Hose, QD Outlet Spray Valve w/ 0.65 GPM Fan-Jet & Hook Nozzle QD Attachments, Balancer, Extension Arm, 3/8" NPT Vacuum Breaker, (2) 6" Wall Brackets & 1/2" NPT Female Inlets

Product Compliance:

ASME A112.18.1 / CSA B125.1
NSF 61 - Section 9
NSF 372 (Low Lead Content)
EPA Act 2005 (Fan Jet Only)
CSA B64.8



T&S BRASS AND BRONZE WORKS, INC.

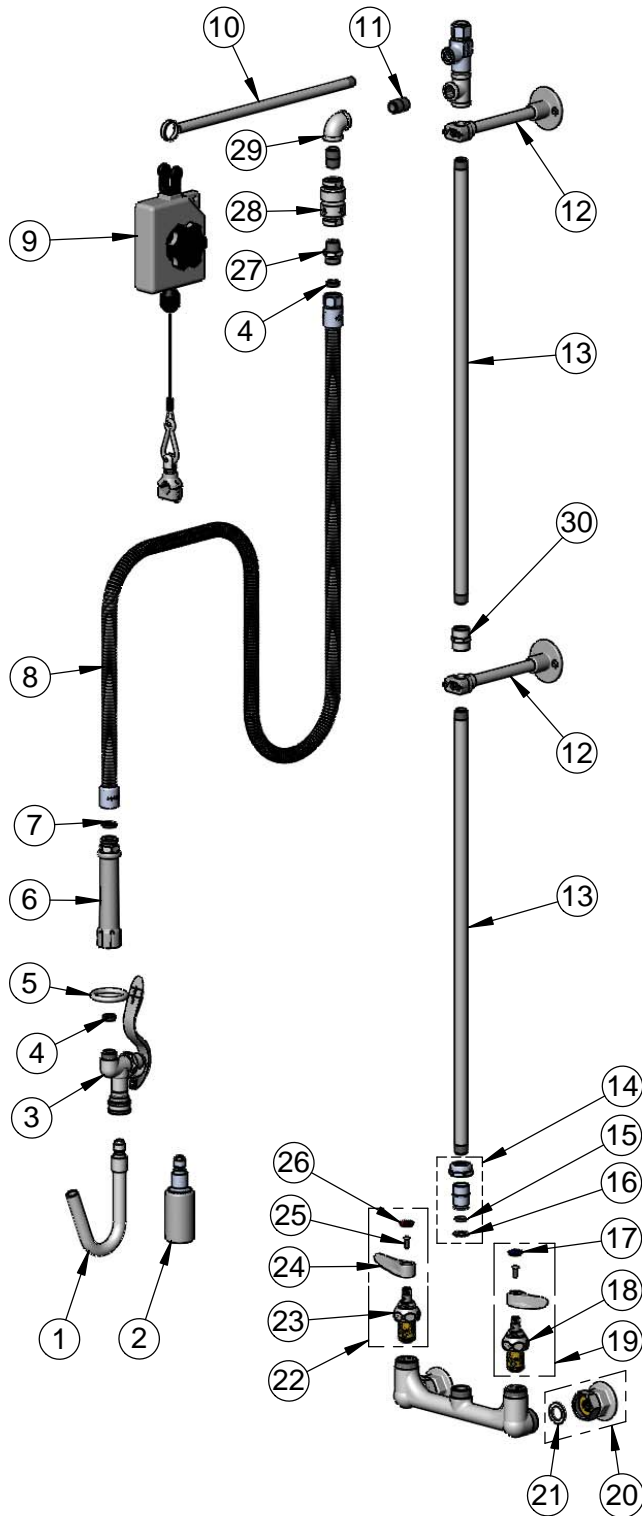
2 Saddleback Cove / P.O. Box 1088
Travelers Rest, SC 29690

Model No.

B-0130

Item No.

Travelers Rest, SC: 800-476-4103 • Simi Valley, CA: 800-423-0150 • Fax: 864-834-3518 • www.tsbrass.com



ITEM NO.	SALES NO.	DESCRIPTION
1	B-1424	Quick Disconnect Hook Nozzle
2	B-1428	Quick Disconnect 0.65 GPM Fan Jet Spray Valve
3	B-1420	Spray Valve w/ Quick Disconnect Outlet
4	010476-45	#27 Washer
5	000907-45	Spray Valve Hold Down Ring
6	002987-40	Grip Handle
7	001014-45	Washer, B-0100 Hose Barrel
8	B-0068-H2A	68" Flexible Stainless Steel Hose, Less Handle
9	005311-40	Balancer
10	005252-20	Extension Arm, Chrome Plated
11	002535-25	3/8" Close Nipple
12	B-0109-01	6" Wall Bracket
13	000372-40	3/8" NPT x 24" Riser
14	EZ-K	EasyInstall Kit
15	001065-45	O-Ring
16	014200-45	Star Washer, Anti-Rotation
17	018506-19NS	Blue Button Index, Press-in
18	012442-45NS	Quarter-Turn Eterna Cartridge w/ Spring Check, LTC
19	002711-40NS	Quarter-Turn Eterna Cartridge w/ Spring Check, Handle, Blue Index & Screw, LTC
20	00AA	1/2" NPT Female Eccentric Flange
21	001019-45	Coupling Nut Washer
22	002712-40NS	Quarter-Turn Eterna Cartridge w/ Spring Check, Handle, Red Index & Screw, RTC
23	012443-40NS	Quarter-Turn Eterna Cartridge w/ Spring Check, RTC
24	001638-45NS	Lever Handle (New Style)
25	000925-45	Lab Handle Screw
26	001193-19NS	Red Button Index, Press-in
27	053A	Adapter, 3/8" NPT Male
28	B-0970-FE	3/8" NPT Vacuum Breaker
29	001355-40	Elbow, 3/8" NPT
30	001769-40	Coupling, 3/8" NPT

Product Specifications:

8" Wall Mount Mixing Faucet, Quarter-Turn Eterna Cartridges w/ Spring Checks, Lever Handles, 68" Flexible Stainless Steel Hose, QD Outlet Spray Valve w/ 0.65 GPM Fan-Jet & Hook Nozzle QD Attachments, Balancer, Extension Arm, 3/8" NPT Vacuum Breaker, (2) 6" Wall Brackets & 1/2" NPT Female Inlets

Product Compliance:

ASME A112.18.1 / CSA B125.1
NSF 61 - Section 9
NSF 372 (Low Lead Content)
EPA Act 2005 (Fan Jet Only)
CSA B64.8