



T&S BRASS AND BRONZE WORKS, INC.

2 Saddleback Cove / P.O. Box 1088
Travelers Rest, SC 29690

Model No.

B-0128

Item No.

Travelers Rest, SC: 800-476-4103 • Simi Valley, CA: 800-423-0150 • Fax: 864-834-3518 • www.tsbrass.com

This Space for Architect/Engineer Approval

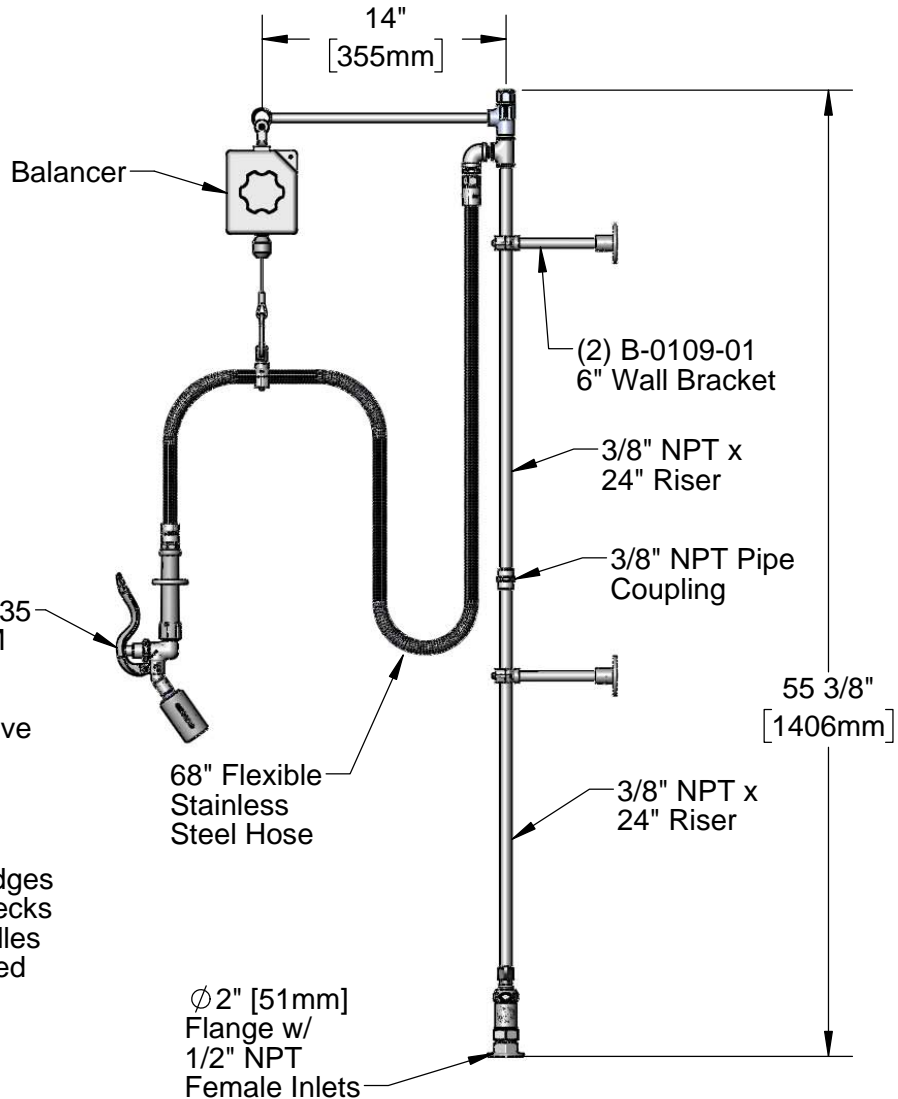
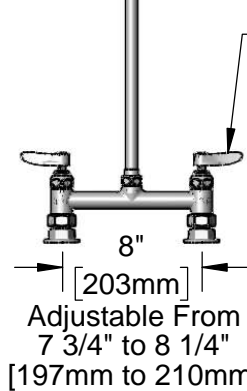
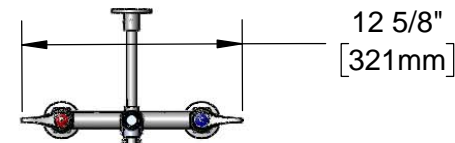
Job Name _____ Date _____

Model Specified _____ Quantity _____

Customer/Wholesaler _____

Contractor _____

Architect/Engineer _____



Product Specifications:

Pre-Rinse Unit: 8" Deck Mount Mixing Faucet, Quarter-Turn Eterna Cartridges w/ Spring Checks, Lever Handles, 68" Flexible Stainless Steel Hose, 0.65 GPM Low Flow Angled Spray Valve, Balancer, Extension Arm, (2) 6" Wall Brackets & 1/2" NPT Female Inlets

Product Compliance:

ASME A112.18.1 / CSA B125.1
NSF 61 - Section 9
NSF 372 (Low Lead Content)
EPA Act 2005 (PRSV)



T&S BRASS AND BRONZE WORKS, INC.

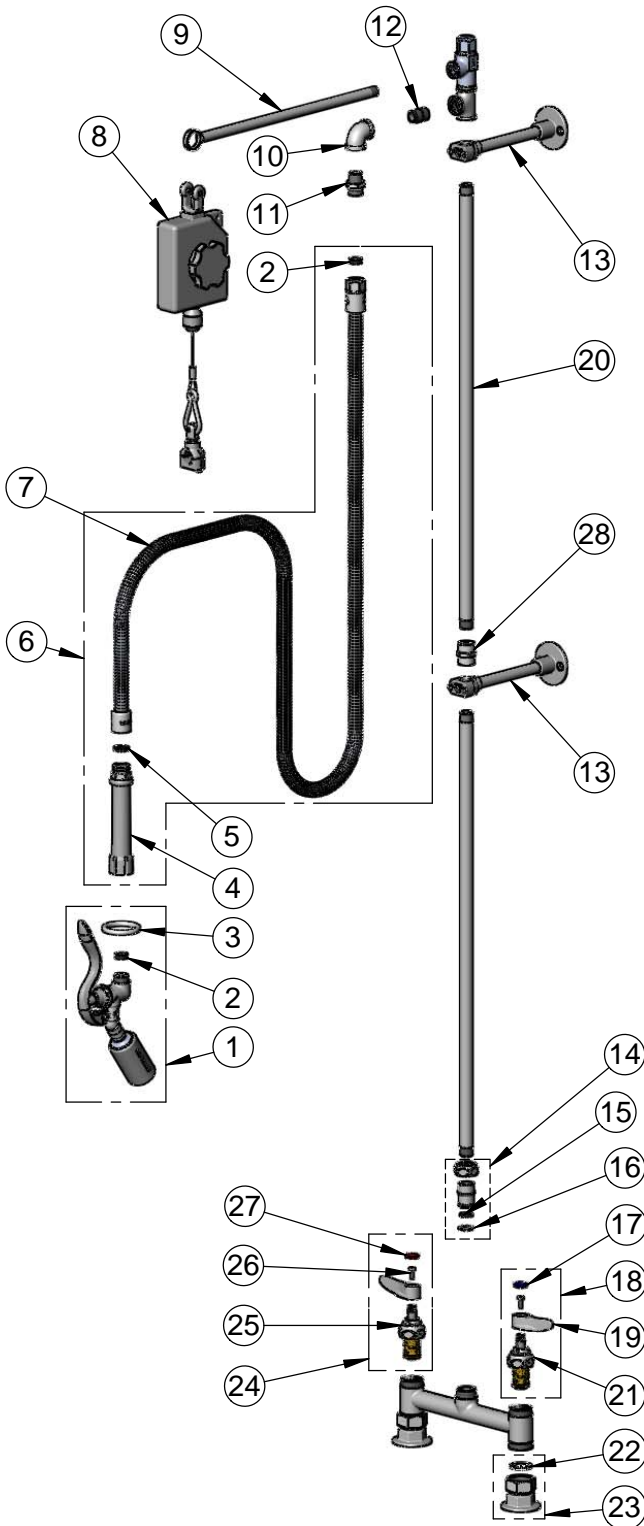
2 Saddleback Cove / P.O. Box 1088
Travelers Rest, SC 29690

Model No.

B-0128

Item No.

Travelers Rest, SC: 800-476-4103 • Simi Valley, CA: 800-423-0150 • Fax: 864-834-3518 • www.tsbrass.com



ITEM NO.	SALES NO.	DESCRIPTION
1	B-0107-C35	0.65 GPM Low Flow Angled Spray Valve
2	010476-45	#27 Washer
3	000907-45	Spray Valve Hold Down Ring
4	002987-40	Grip Handle
5	001014-45	Washer, B-0100 Hose Barrel
6	B-0068-H	68" Flexible Stainless Steel Hose
7	B-0068-H2A	68" Flexible Stainless Steel Hose, Less Handle
8	005311-40	Balancer
9	005252-20	Extension Arm, Chrome Plated
10	001355-40	Elbow, 3/8 NPT
11	053A	Adapter, 3/8" NPT Male
12	002535-25	3/8" Close Nipple
13	B-0109-01	6" Wall Bracket
14	EZ-K	EasyInstall Kit
15	001065-45	O-Ring
16	014200-45	Star Washer, Anti-Rotation
17	018506-19NS	Blue Button Index, Press-in
18	012442-40NS	Quarter-Turn Eterna Cartridge w/ Spring Check, Handle, Blue Index & Screw, LTC
19	001638-45NS	Lever Handle (New Style)
20	000372-40	3/8" NPT x 24" Riser
21	002711-40NS	Quarter-Turn Eterna Cartridge w/ Spring Check, LTC
22	001019-45	Coupling Nut Washer
23	00AA	1/2" NPT Female Eccentric Flange
24	002712-40NS	Quarter-Turn Eterna Cartridge w/ Spring Check, Handle, Red Index & Screw, RTC
25	0124423-40NS	Quarter-Turn Eterna Cartridge w/ Spring Check, RTC
26	000925-45	Lab Handle Screw
27	001193-19NS	Red Button Index, Press-in

Product Specifications:

Pre-Rinse Unit: 8" Deck Mount Mixing Faucet, Quarter-Turn Eterna Cartridges w/ Spring Checks, Lever Handles, 68" Flexible Stainless Steel Hose, 0.65 GPM Low Flow Angled Spray Valve, Balancer, Extension Arm, (2) 6" Wall Brackets & 1/2" NPT Female Inlets

Product Compliance:

ASME A112.18.1 / CSA B125.1
NSF 61 - Section 9
NSF 372 (Low Lead Content)
EPA Act 2005 (PRSV)