



**T&S BRASS AND BRONZE WORKS, INC.**

2 Saddleback Cove / P.O. Box 1088  
Travelers Rest, SC 29690

Model No.

**B-0126**

Item No.

Travelers Rest, SC: 800-476-4103 • Simi Valley, CA: 800-423-0150 • Fax: 864-834-3518 • www.tsbrass.com

This Space for Architect/Engineer Approval

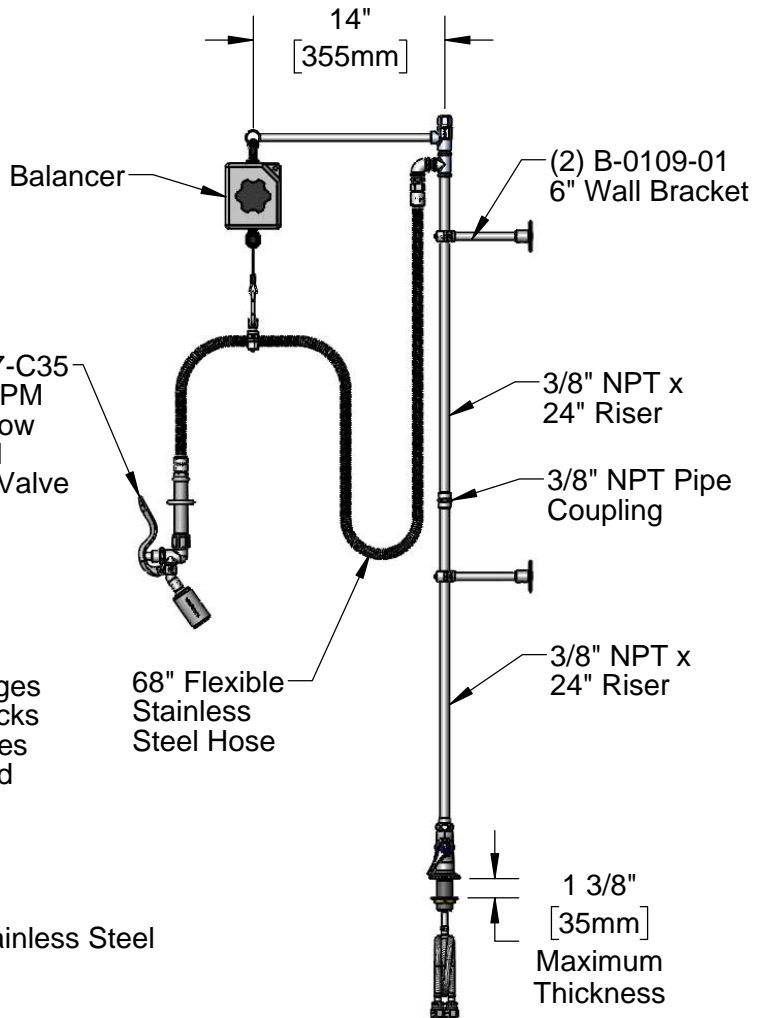
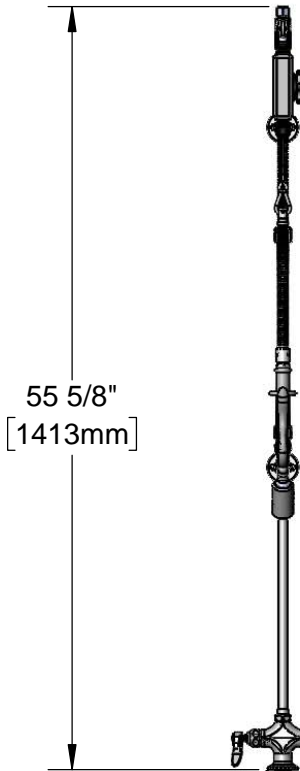
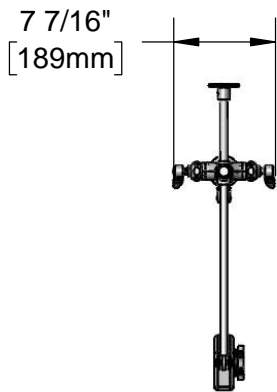
Job Name \_\_\_\_\_ Date \_\_\_\_\_

Model Specified \_\_\_\_\_ Quantity \_\_\_\_\_

Customer/Wholesaler \_\_\_\_\_

Contractor \_\_\_\_\_

Architect/Engineer \_\_\_\_\_



- Quarter-Turn Eterna Cartridges w/ Spring Checks & Lever Handles w/ Color Coded Indexes
- 18" Flexible Stainless Steel Supply Hoses
- Compression Fittings for 5/8" O.D. Copper Tubing. (Remove Compression Nut for 1/2" NPSM Male)
- Ø 2 1/4" [56mm] Deck Flange

Rough-In Requirement:

Ø 1 1/2" [38mm] Mounting Hole

Product Specifications:

Pre-Rinse Unit: Single Hole Deck Mount Mixing Faucet, Quarter-Turn Eterna Cartridges w/ Spring Checks, Lever Handles, 68" Flexible Stainless Steel Hose, 0.65 GPM Low Flow Angled Spray Valve, Balancer, Extension Arm, (2) 6" Wall Brackets & 18" Flexible Stainless Steel Supply Hoses w/ 1/2" NPSM Male Inlets

Product Compliance:

ASME A112.18.1 / CSA B125.1  
NSF 61 - Section 9  
NSF 372 (Low Lead Content)  
EPA Act 2005 (PRSV)



# T&S BRASS AND BRONZE WORKS, INC.

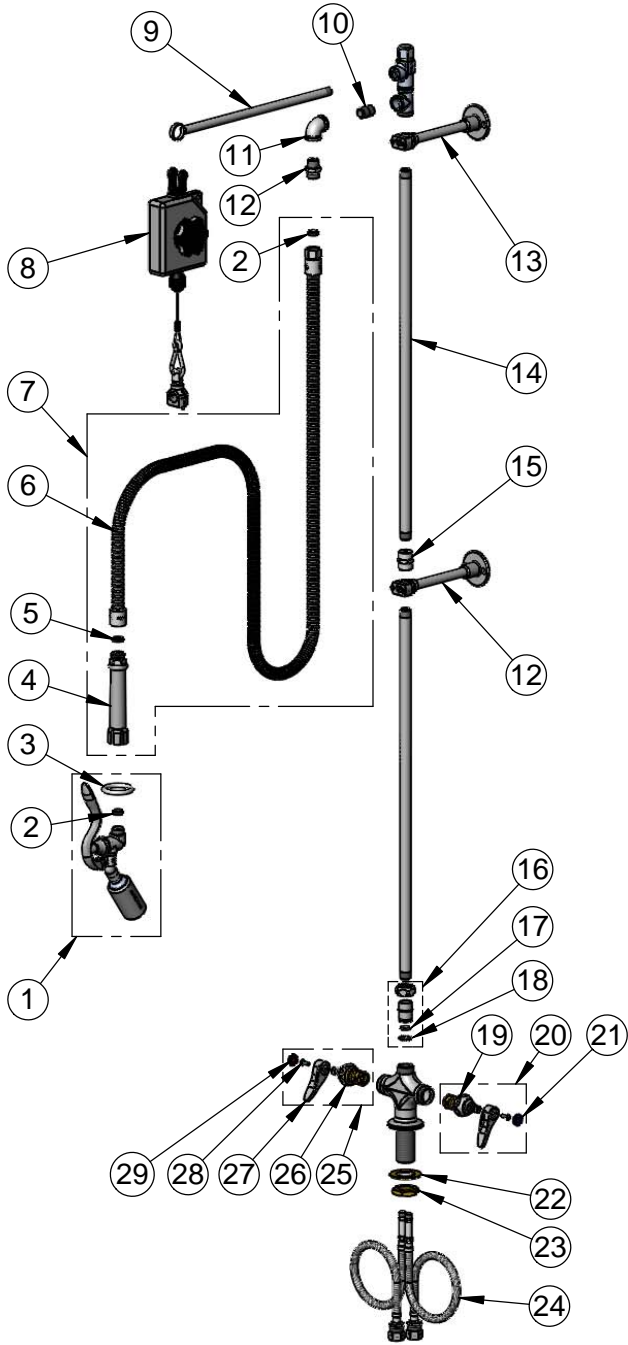
2 Saddleback Cove / P.O. Box 1088  
Travelers Rest, SC 29690

Model No.

**B-0126**

Item No.

Travelers Rest, SC: 800-476-4103 • Simi Valley, CA: 800-423-0150 • Fax: 864-834-3518 • www.tsbrass.com



ITEM NO.	SALES NO.	DESCRIPTION
1	B-0107-C35	0.65 GPM Low Flow Angled Spray Valve
2	010476-45	#27 Washer
3	000907-45	Spray Valve Hold Down Ring
4	002987-40	Grip Handle
5	001014-45	Washer, B-0100 Hose Barrel
6	B-0068-H2A	68" Flexible Stainless Steel Hose, Less Handle
7	B-0068-H	68" Flexible Stainless Steel Hose
8	005311-40	Balancer
9	005252-20	Extension Arm, Chrome Plated
10	002535-25	3/8" Close Nipple
11	001355-40	Elbow, 3/8 NPT
12	053A	Adapter, 3/8" NPT Male
13	B-0109-01	6" Wall Bracket
14	000372-40	3/8" NPT x 24" Riser
15	001769-40	Coupling, 3/8" NPT
16	EZ-K	EasyInstall Kit
17	001065-45	O-Ring
18	014200-45	Star Washer, Anti-Rotation
19	012442-40NS	Quarter-Turn Eterna Cartridge w/ Spring Check, LTC
20	002711-40NS	Quarter-Turn Eterna Cartridge w/ Spring Check, Handle, Blue Index & Screw, LTC
21	018506-19NS	Blue Button Index, Press-in
22	002290-45	Lock Washer
23	000965-45	Lock Nut
24	012534-45	18" Flexible Supply Hose (2)
25	002712-40NS	Quarter-Turn Eterna Cartridge w/ Spring Check, Handle, Red Index & Screw, RTC
26	0124423-40NS	Quarter-Turn Eterna Cartridge w/ Spring Check, RTC
27	001638-45NS	Lever Handle (New Style)
28	000925-45	Lab Handle Screw
29	001193-19NS	Red Button Index, Press-in

**Product Specifications:**

Pre-Rinse Unit: Single Hole Deck Mount Mixing Faucet, Quarter-Turn Eterna Cartridges w/ Spring Checks, Lever Handles, 68" Flexible Stainless Steel Hose, 0.65 GPM Low Flow Angled Spray Valve, Balancer, Extension Arm, (2) 6" Wall Brackets & 18" Flexible Stainless Steel Supply Hoses w/ 1/2" NPSM Male Inlets

**Product Compliance:**

ASME A112.18.1 / CSA B125.1  
NSF 61 - Section 9  
NSF 372 (Low Lead Content)  
EPA Act 2005 (PRSV)