

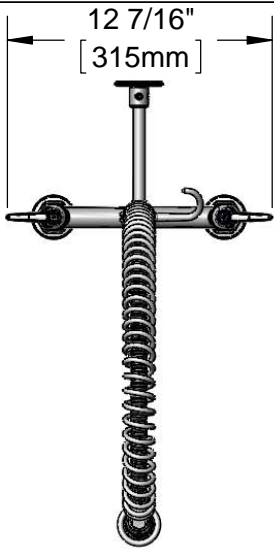


T&S BRASS AND BRONZE WORKS, INC.
 2 Saddleback Cove / P.O. Box 1088
 Travelers Rest, SC 29690

Model No.
B-0123-V-BC

Item No.

Travelers Rest, SC: 800-476-4103 • Simi Valley, CA: 800-423-0150 • Fax: 864-834-3518 • www.tsbrass.com



This Space for Architect/Engineer Approval

Job Name _____ Date _____

Model Specified _____ Quantity _____

Customer/Wholesaler _____

Contractor _____

Architect/Engineer _____

44" Flexible Stainless Steel Hose w/ Spring & Spray Valve

Items Not Shown for Clarity

Finger Hook

B-0107-C
 0.65 GPM
 Low Flow
 Spray Valve



3/8" NPT x 20" Riser

B-0970-FEZ
 Vacuum Breaker

EasyInstall
 Lock Nut & Bushing

Quarter-Turn
 Eterna Cartridges w/
 Spring Checks &
 Lever Handles w/
 Color Coded Indexes

Mounting Surface

B-0109-01
 6" Wall
 Bracket

45 11/16"
 [1160mm]

14 1/8"
 [358mm]

15 1/16"
 [382mm]

5 1/8"
 [130mm]

8"
 [203mm]

Ø2" [51mm]
 Flanges w/
 1/2" NPT
 Female Inlets

Product Specifications:

EasyInstall Pre-Rinse Unit: 8" Deck Mount Base Mixing Faucet, Quarter-Turn Eterna Cartridges w/ Spring Checks, 44" Flexible Stainless Steel Hose, 0.65 GPM Low Flow Spray Valve, Vacuum Breaker, 6" Wall Bracket & 1/2" NPT Female Inlets

Product Compliance:

ASME A112.18.1 / CSA B125.1
 NSF 61 - Section 9
 NSF 372 (Low Lead Content)
 EPA Act 2005 (PRSV)
 CSA B64.8 (VB)
 EPA WaterSense (PRSV)



T&S BRASS AND BRONZE WORKS, INC.

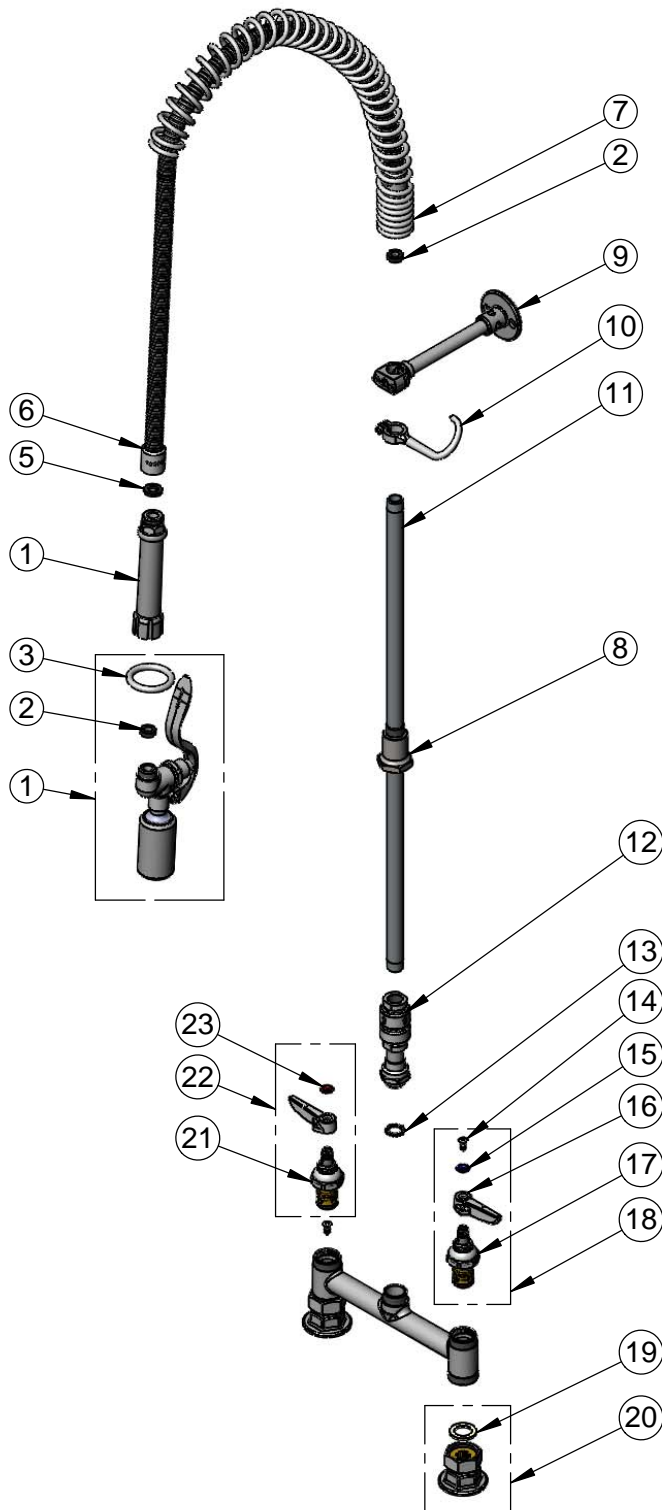
2 Saddleback Cove / P.O. Box 1088
Travelers Rest, SC 29690

Model No.

B-0123-V-BC

Item No.

Travelers Rest, SC: 800-476-4103 • Simi Valley, CA: 800-423-0150 • Fax: 864-834-3518 • www.tsbrass.com



ITEM NO.	SALES NO.	DESCRIPTION
1	B-0107-C	Handle Grip
2	010476-45	#27 Washer
3	000907-45	Spray Valve Hold Down Ring
4	002987-40	Grip Handle
5	001014-45	Washer, B-0100 Hose Barrel
6	B-0044-H2A	44" Flexible Stainless Steel Hose, Less Handle
7	000888-45	EasyInstall Overhead Spring
8	000821-40	Spring Body
9	B-0109-01	6" Wall Bracket
10	004R	Finger Hook
11	000372-40	3/8" NPT x 24" Riser
12	B-0970-FEZ	Vacuum Breaker
13	014200-45	Star Washer, Anti-Rotation
14	000922-45	Lever Handle Screw
15	001660-45	Blue Index-CW
16	001638-45	Lever Handle
17	012442-40	Quarter-Turn Eterna Cartridge, LTC w/ Spring Check
18	002711-40	Quarter-Turn Eterna Cartridge, LTC w/ Spring Check, Handle, Index & Screw
19	001019-45	Coupling Nut Washer
20	00AA	1/2" NPT Female Eccentric Flange
21	012443-40	Quarter-Turn Eterna Cartridge, RTC w/ Spring Check
23	001661-45	Red Index-HW
22	002712-40	Quarter-Turn Eterna Cartridge, RTC w/ Spring Check, Handle, Index & Screw

Product Specifications:

EasyInstall Pre-Rinse Unit: 8" Deck Mount Base Mixing Faucet, Quarter-Turn Eterna Cartridges w/ Spring Checks, 44" Flexible Stainless Steel Hose, 0.65 GPM Low Flow Spray Valve, Vacuum Breaker, 6" Wall Bracket & 1/2" NPT Female Inlets

Product Compliance:

ASME A112.18.1 / CSA B125.1
NSF 61 - Section 9
NSF 372 (Low Lead Content)
EPA Act 2005 (PRSV)
CSA B64.8 (VB)
EPA WaterSense (PRSV)