



# T&S BRASS AND BRONZE WORKS, INC.

2 Saddleback Cove / P.O. Box 1088  
Travelers Rest, SC 29690

Model No.

**B-0123-BC**

Item No.

Travelers Rest, SC: 800-476-4103 • Simi Valley, CA: 800-423-0150 • Fax: 864-834-3518 • www.tsbrass.com

This Space for Architect/Engineer Approval

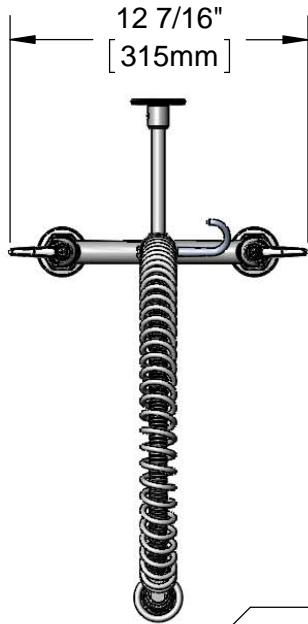
Job Name \_\_\_\_\_ Date \_\_\_\_\_

Model Specified \_\_\_\_\_ Quantity \_\_\_\_\_

Customer/Wholesaler \_\_\_\_\_

Contractor \_\_\_\_\_

Architect/Engineer \_\_\_\_\_



44" Flexible Stainless Steel Hose w/ Spring & Spray Valve

Items Not Shown for Clarity

Finger Hook

3/8" NPT x 24" Riser

B-0107-C  
0.65 GPM  
Low Flow  
Spray Valve

EasyInstall  
Lock Nut & Bushing

Eterna Cartridges w/  
Spring Check &  
Lever Handles w/  
Color Coded Indexes

Mounting Surface

B-0109-01  
6" Wall  
Bracket

41 7/8"  
[1065mm]

11 3/16"  
[284mm]

14 1/8"  
[358mm]

5 3/16"  
[131mm]

8"  
[203mm]

Adjustable From  
7 3/4" to 8 1/4"  
[197mm to 210mm]

Ø 2" [51mm]  
Flanges w/  
1/2" NPT  
Female Inlets

### Product Specifications:

Pre-Rinse Unit: EasyInstall 8" Deck Mount Mixing Faucet, Eterna Cartridges w/ Spring Checks, Lever Handles, 44" Flexible Stainless Steel Hose, 0.65 GPM Low Flow Spray Valve, 6" Wall Bracket & 1/2" NPT Female Inlets

### Product Compliance:

ASME A112.18.1 / CSA B125.1  
NSF 61 - Section 9  
NSF 372 (Low Lead Content)  
EPA Act 2005 (PRSV)



# T&S BRASS AND BRONZE WORKS, INC.

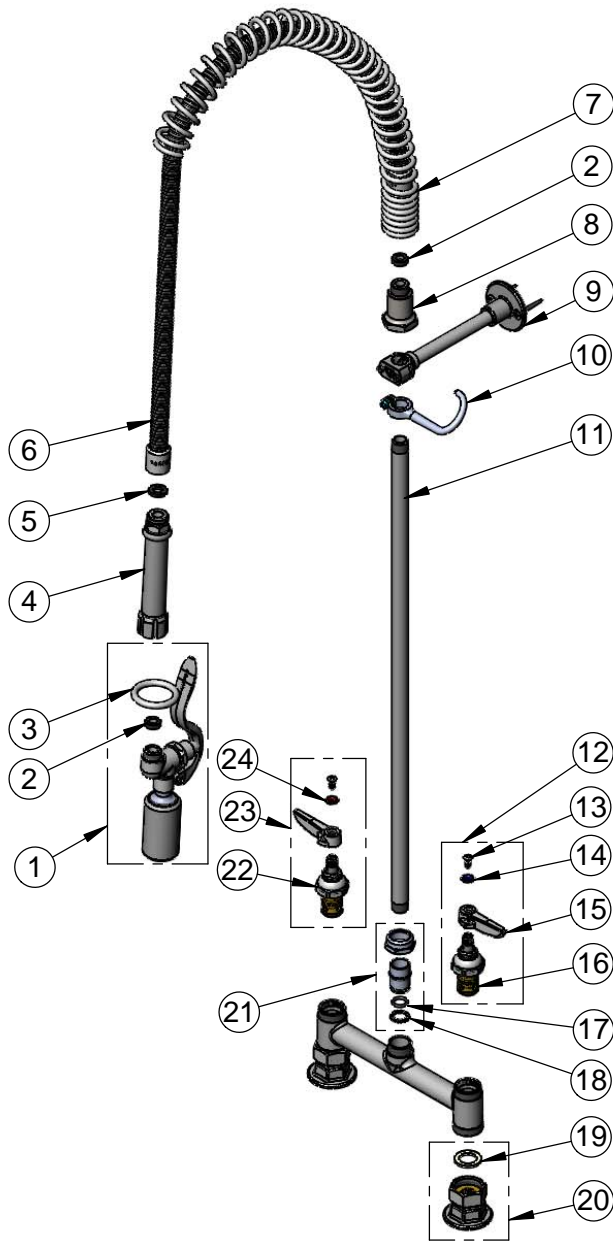
2 Saddleback Cove / P.O. Box 1088  
Travelers Rest, SC 29690

Model No.

**B-0123-BC**

Item No.

Travelers Rest, SC: 800-476-4103 • Simi Valley, CA: 800-423-0150 • Fax: 864-834-3518 • www.tsbrass.com



ITEM NO.	SALES NO.	DESCRIPTION
1	B-0107-C	0.65 GPM Low Flow Spray Valve
2	010476-45	#27 Washer
3	000907-45	Spray Valve Hold Down Ring
4	002987-40	Grip Handle
5	001014-45	Washer, B-0100 Hose Barrel
6	B-0044-H2A	44" Flexible Stainless Steel Hose, Less Handle
7	000888-45	EasyInstall Overhead Spring
8	000821-40	Spring Body
9	B-0109-01	6" Wall Bracket
10	004R	Finger Hook
11	000372-40	3/8" NPT x 24" Riser
12	002711-40	Quarter-Turn Eterna Cartridge, LTC w/ Spring Check, Handle, Index & Screw
13	000922-45	Lever Handle Screw
14	001660-45	Blue Index-CW
15	001638-45	Lever Handle
16	012442-40	Quarter-Turn Eterna Cartridge, LTC w/ Spring Check
17	001065-45	O-Ring
18	014200-45	Star Washer, Anti-Rotation
19	001019-45	Coupling Nut Washer
20	00AA	1/2" NPT Female Eccentric Flange
21	EZ-K	EasyInstall Kit: Nut, Bushing, O-ring, Lock Washer
22	012443-40	Quarter-Turn Eterna Cartridge, RTC w/ Spring Check
23	002712-40	Quarter-Turn Eterna Cartridge, RTC w/ Spring Check, Handle, Index & Screw
24	001661-45	Red Index-HW

**Product Specifications:**

Pre-Rinse Unit: EasyInstall 8" Deck Mount Mixing Faucet, Eterna Cartridges w/ Spring Checks, Lever Handles, 44" Flexible Stainless Steel Hose, 0.65 GPM Low Flow Spray Valve, 6" Wall Bracket & 1/2" NPT Female Inlets

**Product Compliance:**

ASME A112.18.1 / CSA B125.1  
NSF 61 - Section 9  
NSF 372 (Low Lead Content)  
EPA Act 2005 (PRSV)