



# T&S BRASS AND BRONZE WORKS, INC.

2 Saddleback Cove / P.O. Box 1088  
Travelers Rest, SC 29690

Model No.

**B-0123-ADF12**

Item No.

Travelers Rest, SC: 800-476-4103 • Simi Valley, CA: 800-423-0150 • Fax: 864-834-3518 • www.tsbrass.com

This Space for Architect/Engineer Approval

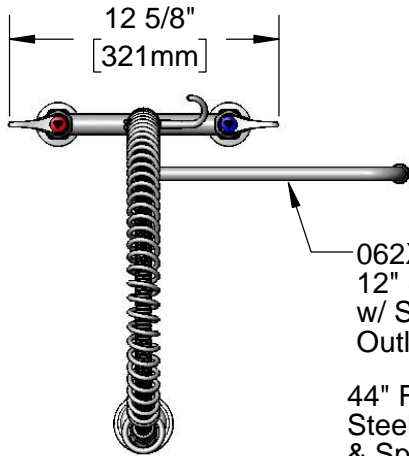
Job Name \_\_\_\_\_ Date \_\_\_\_\_

Model Specified \_\_\_\_\_ Quantity \_\_\_\_\_

Customer/Wholesaler \_\_\_\_\_

Contractor \_\_\_\_\_

Architect/Engineer \_\_\_\_\_



062X  
12" Swing Nozzle  
w/ Stream Regulator  
Outlet



44" Flexible Stainless  
Steel Hose w/ Spring  
& Spray Valve

Items Not Shown  
For Clarity

Finger Hook

3/8" NPT x 24" Riser

12"  
[305mm]

EasyInstall  
Lock Nut &  
Bushing

14 1/2"  
[369mm]

11 3/8"  
[289mm]

16 1/2"  
[419mm]

14 1/16"  
[357mm]

6 7/8"  
[175mm]

2 5/16"  
[59mm]

46"  
[1169mm]

B-0107  
1.42 GPM  
Spray Valve

EasyInstall  
Add-On Faucet  
w/ Quarter-Turn  
Eterna Cartridge  
& Lever Handle

Mounting Surface  
Ø 2" [51mm]  
Flanges w/  
1/2" NPT  
Female Inlets

8"  
[203mm]

Adjustable From  
7 3/4" to 8 1/4"  
[197mm to 210mm]

Quarter-Turn  
Eterna Cartridges w/  
Spring Checks &  
Lever Handles w/  
Color Coded Indexes

**Product Specifications:**

Pre-Rinse Unit: EasyInstall 8" Deck Mount Mixing Faucet, Quarter-Turn Eterna Cartridges w/ Spring Checks, Lever Handles, Add-On Faucet, 12" Swing Spout, 44" Flexible Stainless Steel Hose, 1.42 GPM Spray Valve & 1/2" NPT Female Inlets

**Product Compliance:**

ASME A112.18.1 / CSA B125.1  
NSF 61 - Section 9  
NSF 372 (Low Lead Content)  
EPA Act 2005 (PRSV)



# T&S BRASS AND BRONZE WORKS, INC.

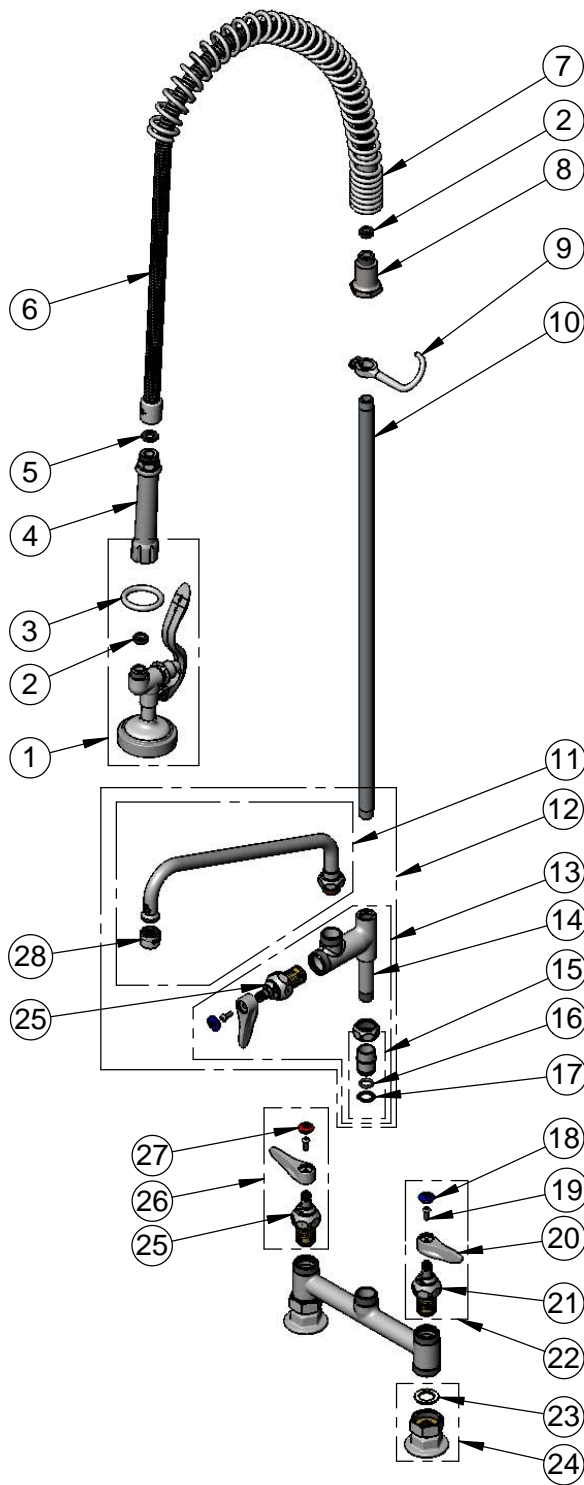
2 Saddleback Cove / P.O. Box 1088  
Travelers Rest, SC 29690

Model No.

**B-0123-ADF12**

Item No.

Travelers Rest, SC: 800-476-4103 • Simi Valley, CA: 800-423-0150 • Fax: 864-834-3518 • www.tsbrass.com



ITEM NO.	SALES NO.	DESCRIPTION
1	B-0107	1.42 GPM Spray Valve
2	010476-45	#27 Washer
3	000907-45	Spray Valve Hold Down Ring
4	002987-40	Grip Handle
5	001014-45	Washer, B-0100 Hose Barrel
6	B-0044-H2A	44" Stainless Steel Flex Hose, Less Handle
7	000888-45	EasyInstall Overhead Spring
8	000821-40	Spring Body
9	004R	Finger Hook
10	000372-40	3/8" NPT x 24" Riser
11	062X	12" Swing Nozzle w/ Stream Regulator Outlet
12	B-0156	Add-On Faucet w/ 12" Swing Nozzle
13	B-0155-LNEZ	EasyInstall Add-On Faucet w/ Quarter-Turn Eterna Cartridge w/ Spring Check, Handle, Blue Index & Screw, RTC
14	000358-40	Nipple, 3/8" NPT x 3"
15	EZ-K	EasyInstall Kit: Nut, Bushing, O-ring & Lock Washer
16	001065-45	O-Ring
17	014200-45	Star Washer, Anti-Rotation
18	018506-19NS	Blue Button Index, Press-in
19	000925-45	Lab Handle Screw
20	001638-45NS	Lever Handle (New Style)
21	012442-40NS	Quarter-Turn Eterna Cartridge w/ Spring Check, LTC
22	002711-40NS	Quarter-Turn Eterna Cartridge w/ Spring Check, Handle, Blue Index & Screw, LTC
23	001019-45	Coupling Nut Washer
24	00AA	1/2" NPT Female Eccentric Flange
25	012443-40NS	Quarter-Turn Eterna Cartridge w/ Spring Check, RTC
26	002712-40NS	Quarter-Turn Eterna Cartridge w/ Spring Check, Handle, Red Index & Screw, RTC
27	001193-19NS	Red Button Index, Press-in
28	B-PT	Full Flow Stream Regulator, 55/64-27

**Product Specifications:**

Pre-Rinse Unit: EasyInstall 8" Deck Mount Mixing Faucet, Quarter-Turn Eterna Cartridges w/ Spring Checks, Lever Handles, Add-On Faucet, 12" Swing Spout, 44" Flexible Stainless Steel Hose, 1.42 GPM Spray Valve & 1/2" NPT Female Inlets

**Product Compliance:**

ASME A112.18.1 / CSA B125.1  
NSF 61 - Section 9  
NSF 372 (Low Lead Content)  
EPA Act 2005 (PRSV)