



T&S BRASS AND BRONZE WORKS, INC.

2 Saddleback Cove / P.O. Box 1088
Travelers Rest, SC 29690

Model No.

B-0123-ADF12-B

Item No.

Travelers Rest, SC: 800-476-4103 • Simi Valley, CA: 800-423-0150 • Fax: 864-834-3518 • www.tsbrass.com

This Space for Architect/Engineer Approval

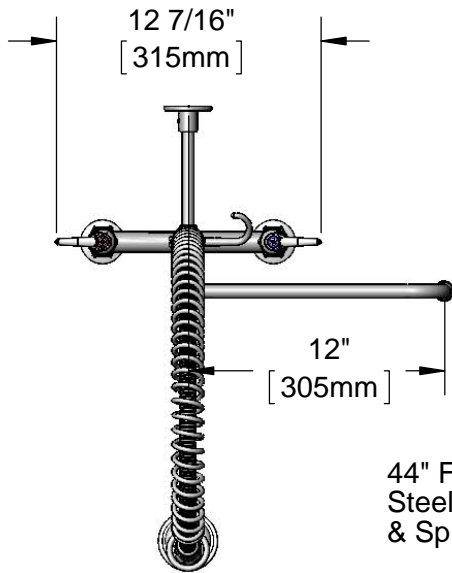
Job Name _____ Date _____

Model Specified _____ Quantity _____

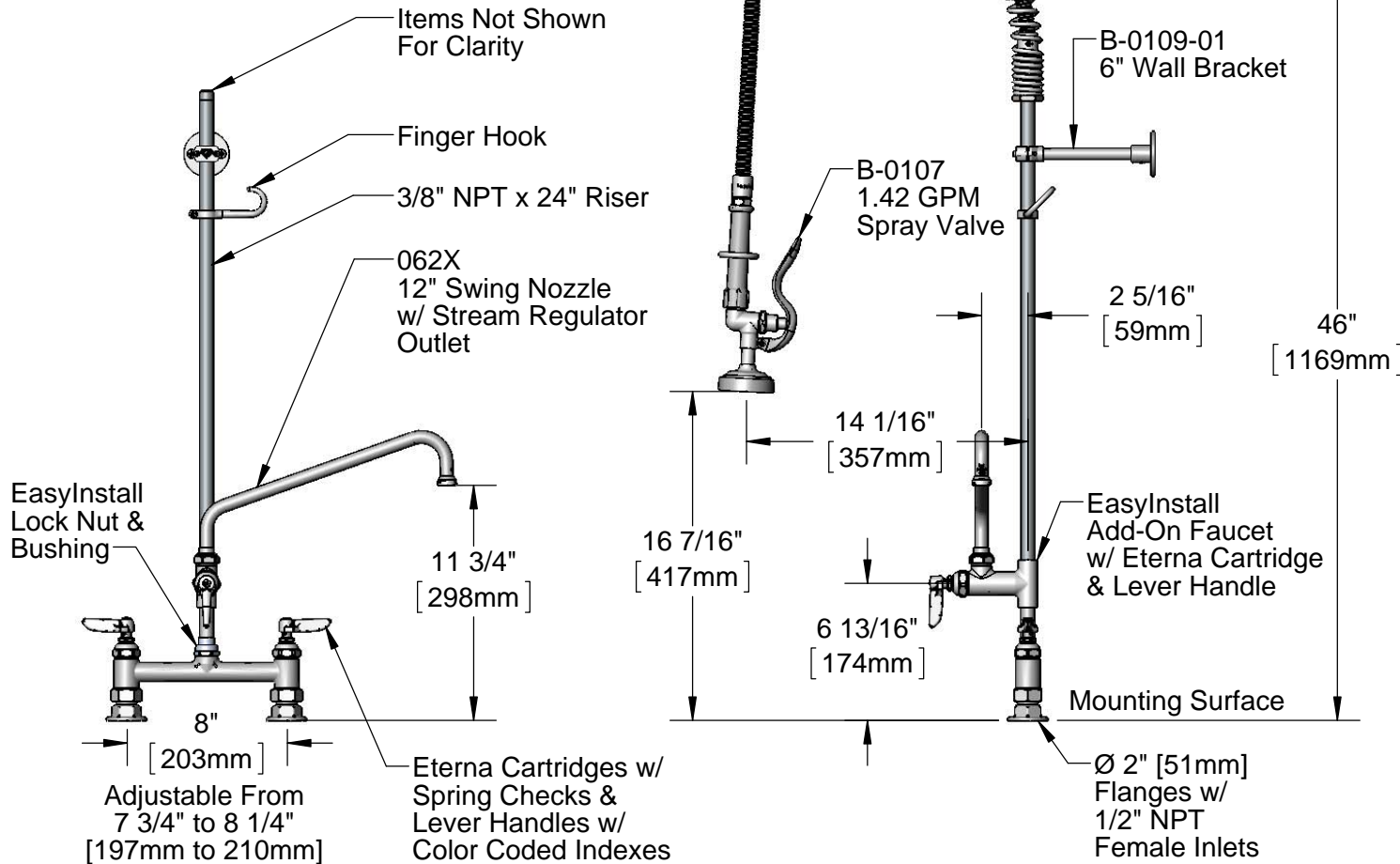
Customer/Wholesaler _____

Contractor _____

Architect/Engineer _____



44" Flexible Stainless Steel Hose w/ Spring & Spray Valve



Product Specifications:

Pre-Rinse Unit: EasyInstall 8" Deck Mount Mixing Faucet, Eterna Cartridges w/ Spring Checks, Lever Handles, Add-On Faucet, 12" Swing Spout, 44" Flexible Stainless Steel Hose, 1.42 GPM Spray Valve, 6" Wall Bracket & 1/2" NPT Female Inlets

Product Compliance:

ASME A112.18.1 / CSA B125.1
NSF 61 - Section 9
NSF 372 (Low Lead Content)
EPA Act 2005 (PRSV)



T&S BRASS AND BRONZE WORKS, INC.

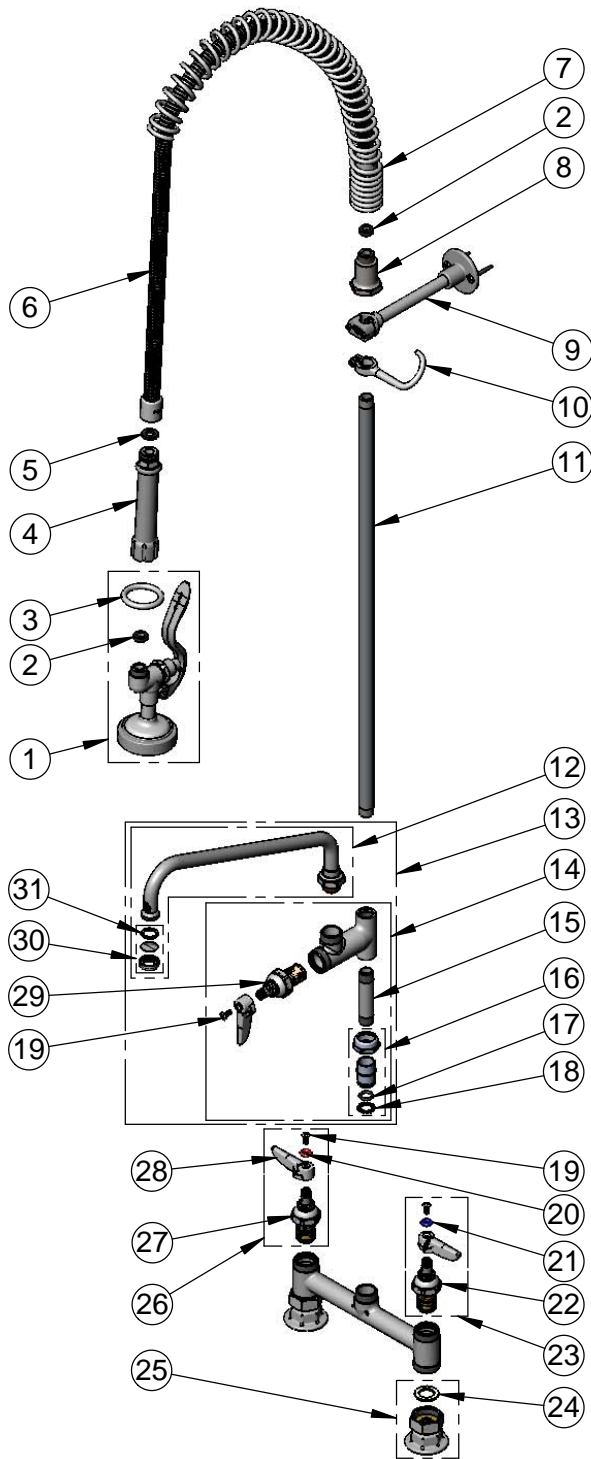
2 Saddleback Cove / P.O. Box 1088
Travelers Rest, SC 29690

Model No.

B-0123-ADF12-B

Item No.

Travelers Rest, SC: 800-476-4103 • Simi Valley, CA: 800-423-0150 • Fax: 864-834-3518 • www.tsbrass.com



| ITEM NO. | SALES NO. | DESCRIPTION |
|----------|-------------|--|
| 1 | B-0107 | 1.42 GPM Spray Valve |
| 2 | 010476-45 | #27 Washer |
| 3 | 000907-45 | Spray Valve Hold Down Ring |
| 4 | 002987-40 | Grip Handle |
| 5 | 001014-45 | Washer, B-0100 Hose Barrel |
| 6 | B-0044-H2A | 44" Stainless Steel Flex Hose, Less Handle |
| 7 | 000888-45 | EasyInstall Overhead Spring |
| 8 | 000821-40 | Spring Body |
| 9 | B-0109-01 | 6" Wall Bracket |
| 10 | 004R | Finger Hook |
| 11 | 000372-40 | 3/8" NPT x 24" Riser |
| 12 | 062X | 12" Swing Nozzle w/ Stream Regulator Outlet |
| 13 | B-0156 | Add-On Faucet w/ 12" Swing Nozzle |
| 14 | B-0155-LNEZ | EasyInstall Add-On Faucet, Less Nozzle |
| 15 | 000358-40 | Nipple, 3/8" NPT x 3" |
| 16 | EZ-K | EasyInstall Kit: Nut, Bushing, O-ring & Lock Washer |
| 17 | 001065-45 | O-Ring |
| 18 | 014200-45 | Star Washer, Anti-Rotation |
| 19 | 000922-45 | Lever Handle Screw |
| 20 | 001661-45 | Red Index-HW |
| 21 | 001660-45 | Blue Index-CW |
| 22 | 012442-40 | Eterna Cartridge, LTC w/ Spring Check |
| 23 | 002711-40 | Eterna Cartridge, LTC w/ Spring Check, Lever Handle, Index & Screw |
| 24 | 001019-45 | Coupling Nut Washer |
| 25 | 00AA | 1/2" NPT Female Eccentric Flange |
| 26 | 002712-40 | Eterna Cartridge, RTC w/ Spring Check, Lever Handle, Index & Screw |
| 27 | 012443-40 | Eterna Cartridge, RTC w/ Spring Check |
| 28 | 001638-45 | Lever Handle |
| 29 | 005960-40QT | 1/4 Turn Eterna Cartridge, RTC |
| 30 | B-PT | Stream Regulator Outlet |
| 31 | 001048-45 | Nozzle Tip Washer |

Product Specifications:

Pre-Rinse Unit: EasyInstall 8" Deck Mount Mixing Faucet, Eterna Cartridges w/ Spring Checks, Lever Handles, Add-On Faucet, 12" Swing Spout, 44" Flexible Stainless Steel Hose, 1.42 GPM Spray Valve, 6" Wall Bracket & 1/2" NPT Female Inlets

Product Compliance:

ASME A112.18.1 / CSA B125.1
NSF 61 - Section 9
NSF 372 (Low Lead Content)
EPA Act 2005 (PRSV)