



# T&S BRASS AND BRONZE WORKS, INC.

2 Saddleback Cove / P.O. Box 1088  
Travelers Rest, SC 29690

Model No.

**B-0123-12CRCVBC**

Item No.

Travelers Rest, SC: 800-476-4103 • Simi Valley, CA: 800-423-0150 • Fax: 864-834-3518 • www.tsbrass.com

This Space for Architect/Engineer Approval

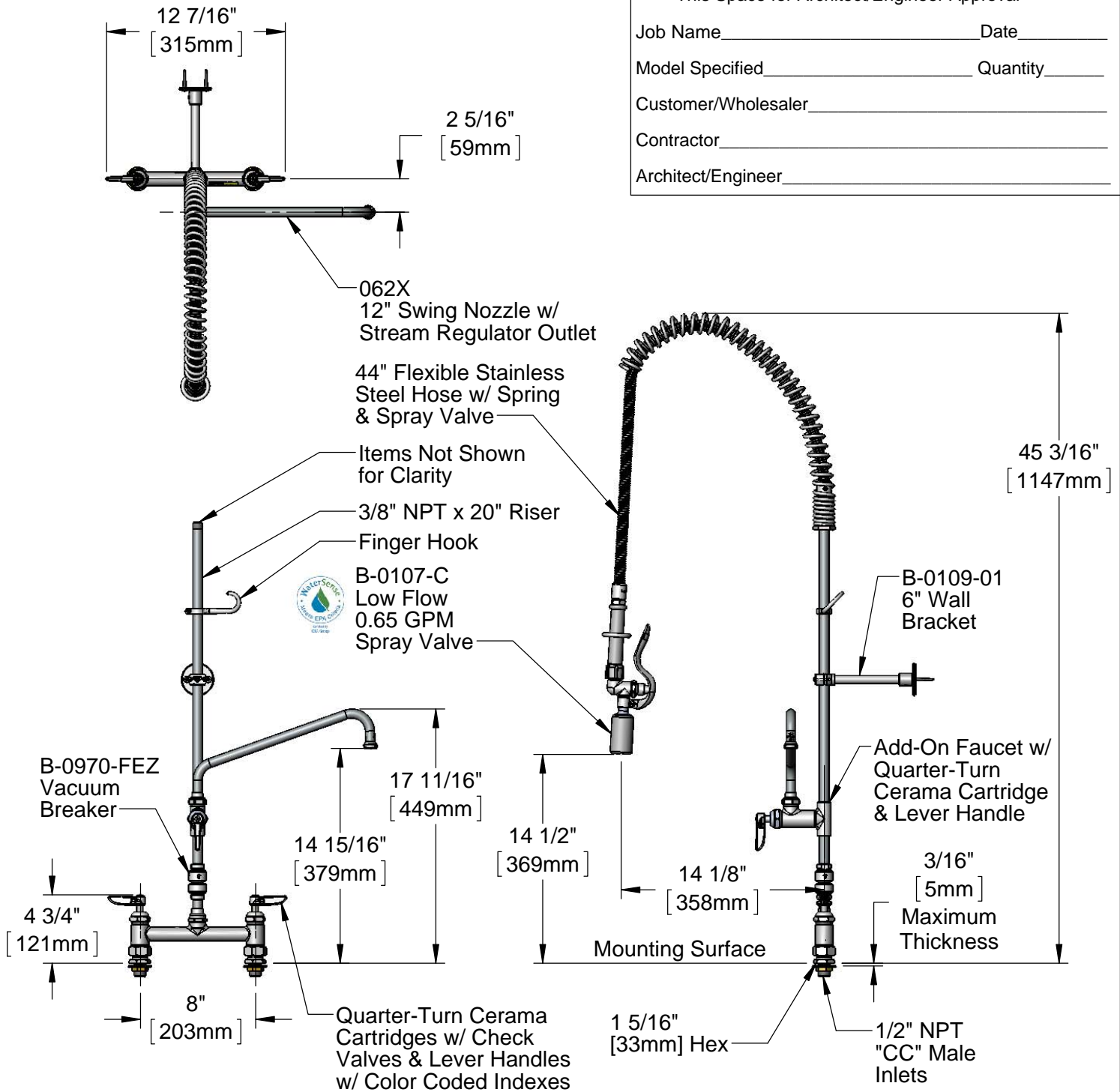
Job Name \_\_\_\_\_ Date \_\_\_\_\_

Model Specified \_\_\_\_\_ Quantity \_\_\_\_\_

Customer/Wholesaler \_\_\_\_\_

Contractor \_\_\_\_\_

Architect/Engineer \_\_\_\_\_



Rough-In Requirement  
(2)  $\phi$  1" [25mm] Mounting Holes

**Product Specifications:**

EasyInstall Pre-Rinse Unit:  
8" Deck Mount Mixing Faucet, Cerama Cartridges w/ Check Valves,  
Lever Handles, Add-On Faucet w/ 12" Swing Nozzle, 20" Riser,  
44" Flexible Stainless Steel Hose, 0.65 GPM Low Flow Spray Valve,  
6" Wall Bracket, Vacuum Breaker & 1/2" NPT "CC" Male Inlets

**Product Compliance:**

ASME A112.18.1 / CSA B125.1  
NSF 61 - Section 9  
NSF 372 (Low Lead Content)  
EPA Act 2005 (PRSV)  
EPA WaterSense (PRSV)



# T&S BRASS AND BRONZE WORKS, INC.

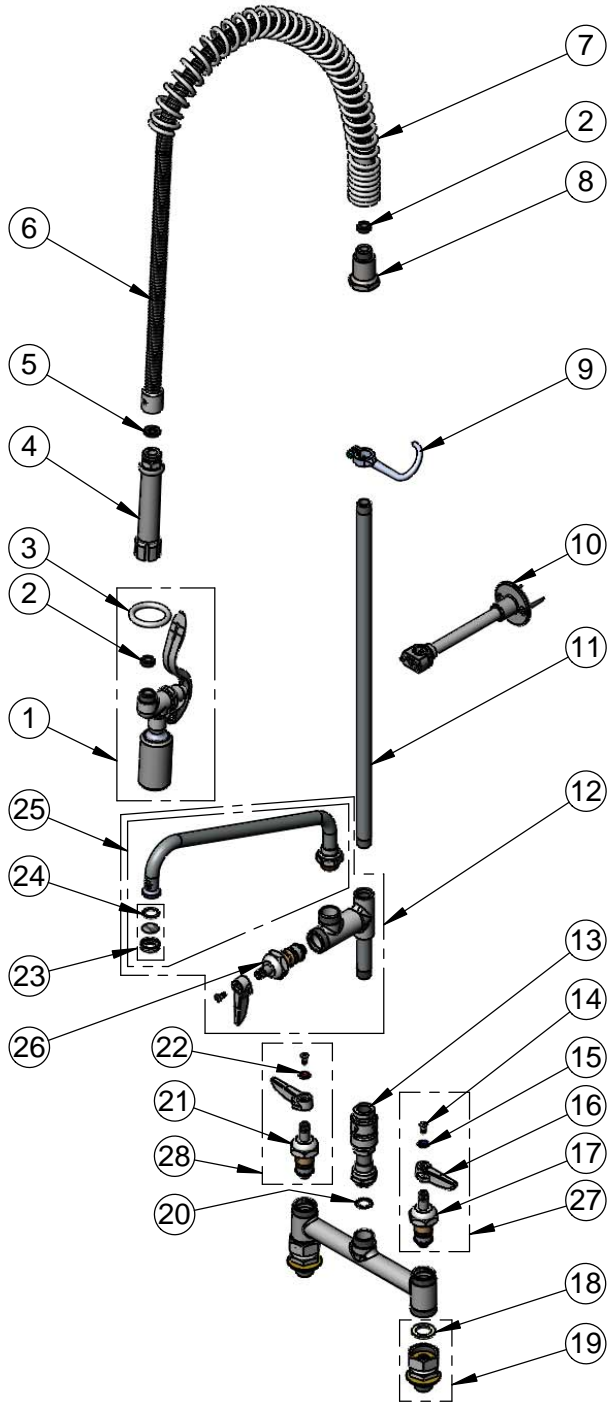
2 Saddleback Cove / P.O. Box 1088  
Travelers Rest, SC 29690

Model No.

**B-0123-12CRCVBC**

Item No.

Travelers Rest, SC: 800-476-4103 • Simi Valley, CA: 800-423-0150 • Fax: 864-834-3518 • www.tsbrass.com



ITEM NO.	SALES NO.	DESCRIPTION
1	B-0107-C	0.65 GPM Low Flow Spray Valve
2	010476-45	#27 Washer
3	000907-45	Spray Valve Hold Down Ring
4	002987-40	Grip Handle
5	001014-45	Washer, B-0100 Hose Barrel
6	B-0044-H2A	44" Flexible Stainless Steel Hose, Less Handle
7	000888-45	EasyInstall Overhead Spring
8	000821-40	Spring Body
9	004R	Finger Hook
10	B-0109-01	6" Wall Bracket
11	000370-40	3/8" NPT x 20" Riser
12	B-0156-CR	Add-On Faucet w/ Quarter-Turn Cerama Cartridge & 12" Swing Nozzle
13	B-0970-FEZ	EasyInstall 3/8" NPT Vacuum Breaker
14	000922-45	Lever Handle Screw
15	001660-45	Blue Index-CW
16	001638-45	Lever Handle
17	012395-25	Cerama Cartridge, LTC w/ Check Valve
18	001019-45	Coupling Nut Washer
19	00CC	1/2" NPT Male Inlet Flange
20	014200-45	Star Washer, Anti-Rotation
21	012394-25	Cerama Cartridge, RTC w/ Check Valve
22	001661-45	Red Index-HW
23	B-PT	Stream Regulator Outlet
24	001048-45	Nozzle Tip Washer
25	062X	12" Swing Nozzle
26	011278-25	Cerama Cartridge, RTC
27	012447-25	Cerama Cartridge, LTC w/ Check Valve, Handle, Index & Screw
28	012446-25	Cerama Cartridge, RTC w/ Check Valve, Handle, Index & Screw

**Product Specifications:**

EasyInstall Pre-Rinse Unit:  
8" Deck Mount Mixing Faucet, Cerama Cartridges w/ Check Valves,  
Lever Handles, Add-On Faucet w/ 12" Swing Nozzle, 20" Riser,  
44" Flexible Stainless Steel Hose, 0.65 GPM Low Flow Spray Valve,  
6" Wall Bracket, Vacuum Breaker & 1/2" NPT "CC" Male Inlets

**Product Compliance:**

ASME A112.18.1 / CSA B125.1  
NSF 61 - Section 9  
NSF 372 (Low Lead Content)  
EPA Act 2005 (PRSV)  
EPA WaterSense (PRSV)