



# T&S BRASS AND BRONZE WORKS, INC.

2 Saddleback Cove / P.O. Box 1088  
Travelers Rest, SC 29690

Model No.

**B-0123-12CRBJST**

Item No.

Travelers Rest, SC: 800-476-4103 • Simi Valley, CA: 800-423-0150 • Fax: 864-834-3518 • www.tsbrass.com

This Space for Architect/Engineer Approval

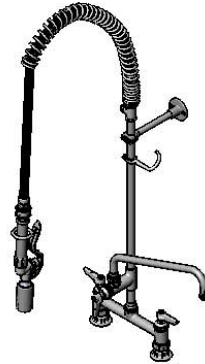
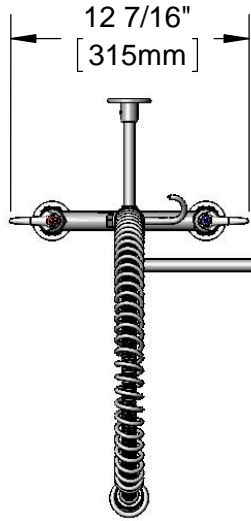
Job Name \_\_\_\_\_ Date \_\_\_\_\_

Model Specified \_\_\_\_\_ Quantity \_\_\_\_\_

Customer/Wholesaler \_\_\_\_\_

Contractor \_\_\_\_\_

Architect/Engineer \_\_\_\_\_



062X  
12" Swing Nozzle w/  
Stream Regulator Outlet

44" Flexible Stainless  
Steel Hose w/ Spring  
& Spray Valve

Items Not  
Shown for  
Clarity

B-TEE-RGD  
Tee for Accessory Fittings

Direction of Tee is Discretion  
of End-User During Installation

018200-40  
Pre-Rinse Swivel

Finger Hook

B-0107-J  
1.07 GPM  
Spray Valve

3/8" NPT x  
18" Riser

EasyInstall  
Lock Nut  
& Bushing

12"

[305mm]

14 1/2"

[369mm]

11 13/16"

[300mm]

10 1/2"

[266mm]

6 7/8"

[175mm]

42"

[1066mm]

B-0109-01  
6" Wall  
Bracket

2 5/16"  
[59mm]

EasyInstall  
Add-On  
Faucet w/  
Quarter-Turn  
Cerama  
Cartridge &  
Lever Handle

Mounting  
Surface

Quarter-Turn Cerma  
Cartridges w/ Check  
Valves & Lever Handles  
w/ Color Coded Indexes

Adjustable From  
7 3/4" to 8 1/4"  
[197mm to 210mm]

5 1/16"

[128mm]

8"

[203mm]

14 3/16"

[360mm]

**Product Specifications:**

Pre-Rinse Unit: EasyInstall 8" Deck Mount Mixing Faucet, Quarter-Turn Cerama Cartridges w/ Check Valves, Lever Handles, Add-On Faucet w/ 12" Swing Nozzle, 44" Flexible Stainless Steel Hose, 1.07 GPM Spray Valve w/ Swivel, 6" Wall Bracket, Accessory Fitting Tee & 1/2" NPT Female Inlets

**Product Compliance:**

ASME A112.18.1 / CSA B125.1  
NSF 61 - Section 9  
NSF 372 (Low Lead Content)  
EPA Act 2005 (PRSV)  
EPA WaterSense (PRSV)



# T&S BRASS AND BRONZE WORKS, INC.

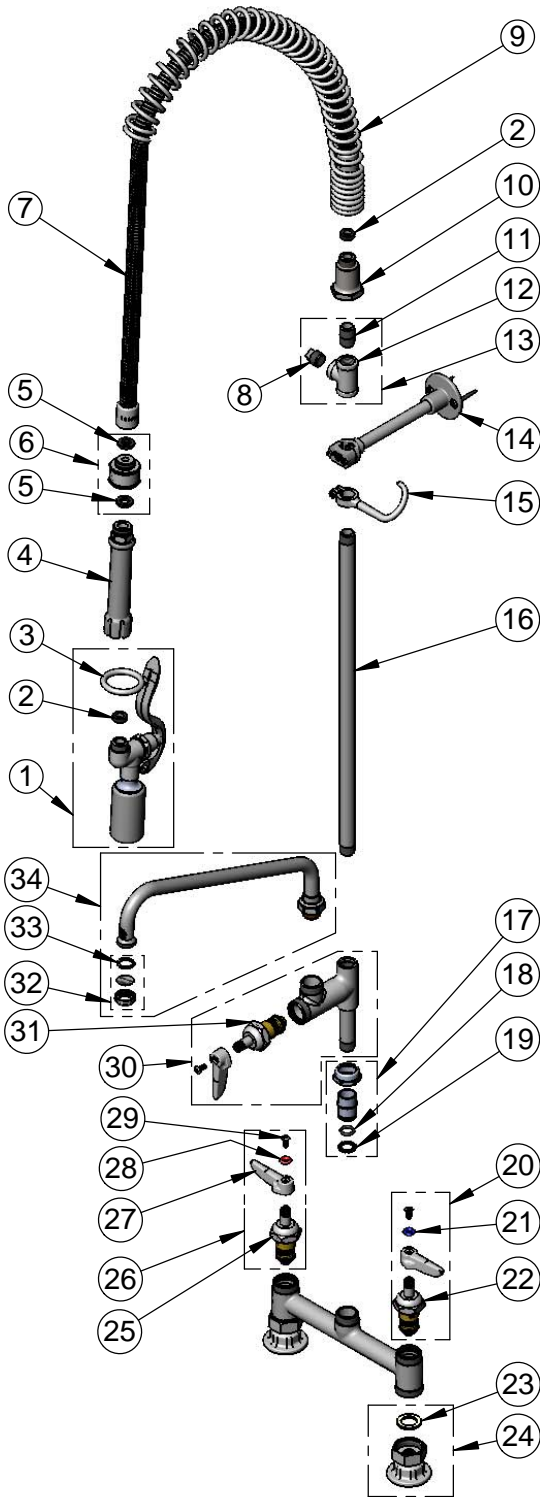
2 Saddleback Cove / P.O. Box 1088  
Travelers Rest, SC 29690

Model No.

**B-0123-12CRBJST**

Item No.

Travelers Rest, SC: 800-476-4103 • Simi Valley, CA: 800-423-0150 • Fax: 864-834-3518 • www.tsbrass.com



ITEM NO.	SALES NO.	DESCRIPTION
1	B-0107-J	1.07 GPM Spray Valve
2	010476-45	#27 Washer
3	000907-45	Spray Valve Hold Down Ring
4	002987-40	Grip Handle
5	001014-45	Washer, B-0100 Hose Barrel
6	018200-40	Pre-Rinse Swivel
7	B-0044-H2A	44" Flexible Stainless Steel Hose, Less Handle
8	002369-25	3/8" NPT Plug
9	000888-45	EasyInstall Overhead Spring
10	000821-40	Spring Body
11	002535-25	3/8" NPT Close Nipple
12	001614-40	3/8" NPT Tee
13	B-TEE-RGD	Rigid Tee
14	B-0109-01	6" Wall Bracket
15	004R	Finger Hook
16	000369-40	3/8" NPT x 18" Riser
17	EZ-K	EasyInstall Kit: Nut, Bushing, O-ring & Lock Washer
18	001065-45	O-Ring
19	014200-45	Star Washer, Anti-Rotation
20	012447-25	Quarter-Turn Cerama Cartridge, LTC w/ Check Valve, Handle, Index & Screw
21	001660-45	Blue Index-CW
22	012395-25	Quarter-Turn Cerama Cartridge, LTC w/ Check Valve
23	001019-45	Coupling Nut Washer
24	00AA	1/2" NPT Female Eccentric Flange
25	012394-25	Quarter-Turn Cerama Cartridge, RTC w/ Check Valve
26	012446-25	Quarter-Turn Cerama Cartridge, RTC w/ Check Valve, Handle, Index & Screw
27	001638-45	Lever Handle
28	001661-45	Red Index-HW
29	000922-45	Lever Handle Screw
30	B-0155-CR-LN	Add-On Faucet, Less Nozzle
31	011278-25	Quarter-Turn Cerama Cartridge, RTC
32	B-PT	Stream Regulator Outlet
33	001048-45	Nozzle Tip Washer
34	062X	12" Swing Nozzle

**Product Specifications:**

Pre-Rinse Unit: EasyInstall 8" Deck Mount Mixing Faucet, Quarter-Turn Cerama Cartridges w/ Check Valves, Lever Handles, Add-On Faucet w/ 12" Swing Nozzle, 44" Flexible Stainless Steel Hose, 1.07 GPM Spray Valve w/ Swivel, 6" Wall Bracket, Accessory Fitting Tee & 1/2" NPT Female Inlets

**Product Compliance:**

ASME A112.18.1 / CSA B125.1  
NSF 61 - Section 9  
NSF 372 (Low Lead Content)  
EPA Act 2005 (PRSV)  
EPA WaterSense (PRSV)