



T&S BRASS AND BRONZE WORKS, INC.

2 Saddleback Cove / P.O. Box 1088
Travelers Rest, SC 29690

Model No.

B-0122

Item No.

Travelers Rest, SC: 800-476-4103 • Simi Valley, CA: 800-423-0150 • Fax: 864-834-3518 • www.tsbrass.com

This Space for Architect/Engineer Approval

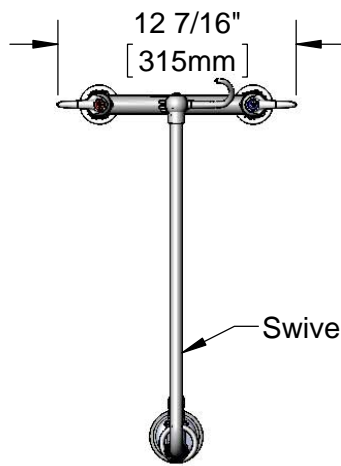
Job Name _____ Date _____

Model Specified _____ Quantity _____

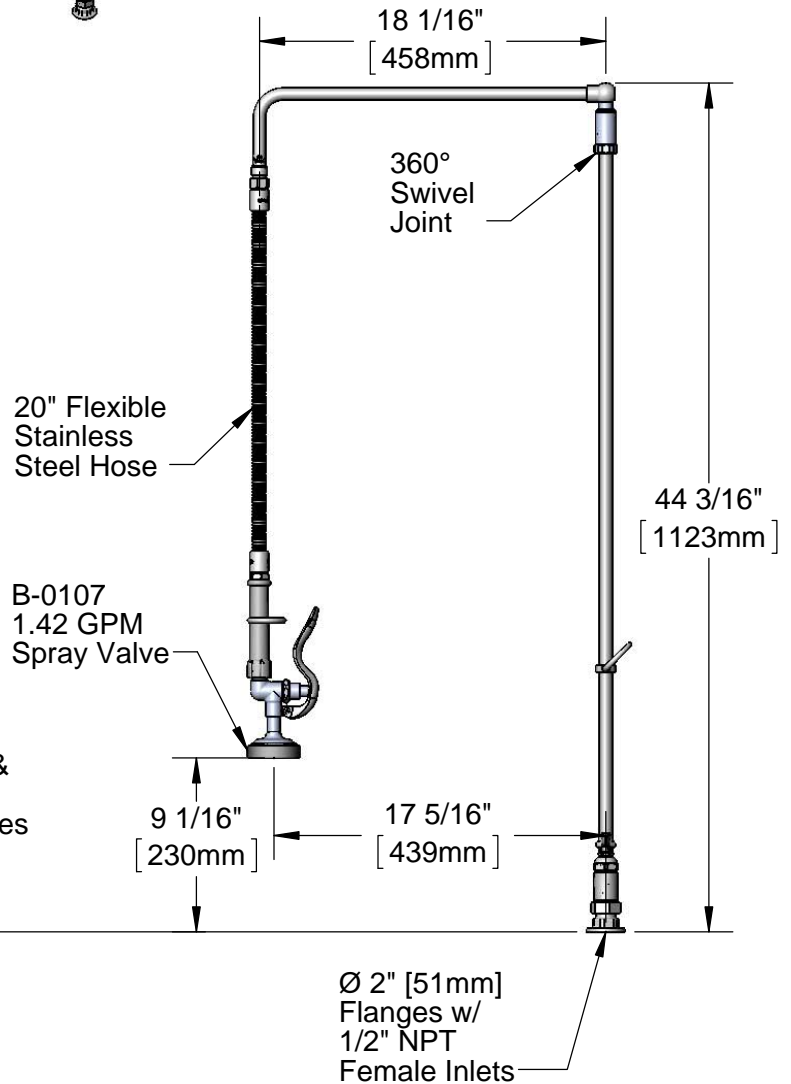
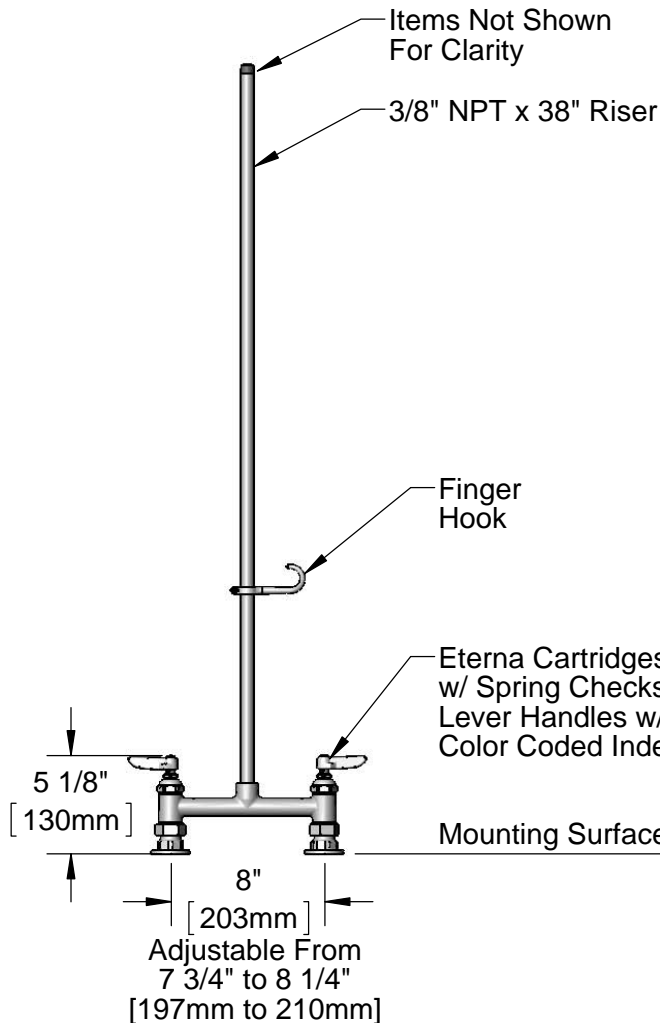
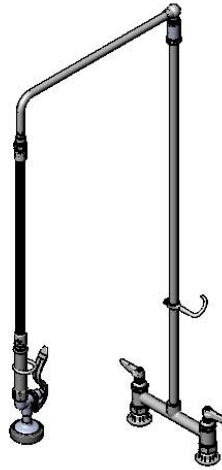
Customer/Wholesaler _____

Contractor _____

Architect/Engineer _____



Swivel Arm



Product Specifications:

Pre-Rinse Unit: 8" Deck Mount Mixing Faucet, Eterna Cartridges w/ Spring Checks, Lever Handles, 1.42 GPM Spray Valve, 38" Riser, 18" Overhead Swivel Arm & 1/2" NPT Female Inlets

Product Compliance:

ASME A112.18.1 / CSA B125.1
NSF 61 - Section 9
NSF 372 (Low Lead Content)
EPA Act 2005 (PRSV)



T&S BRASS AND BRONZE WORKS, INC.

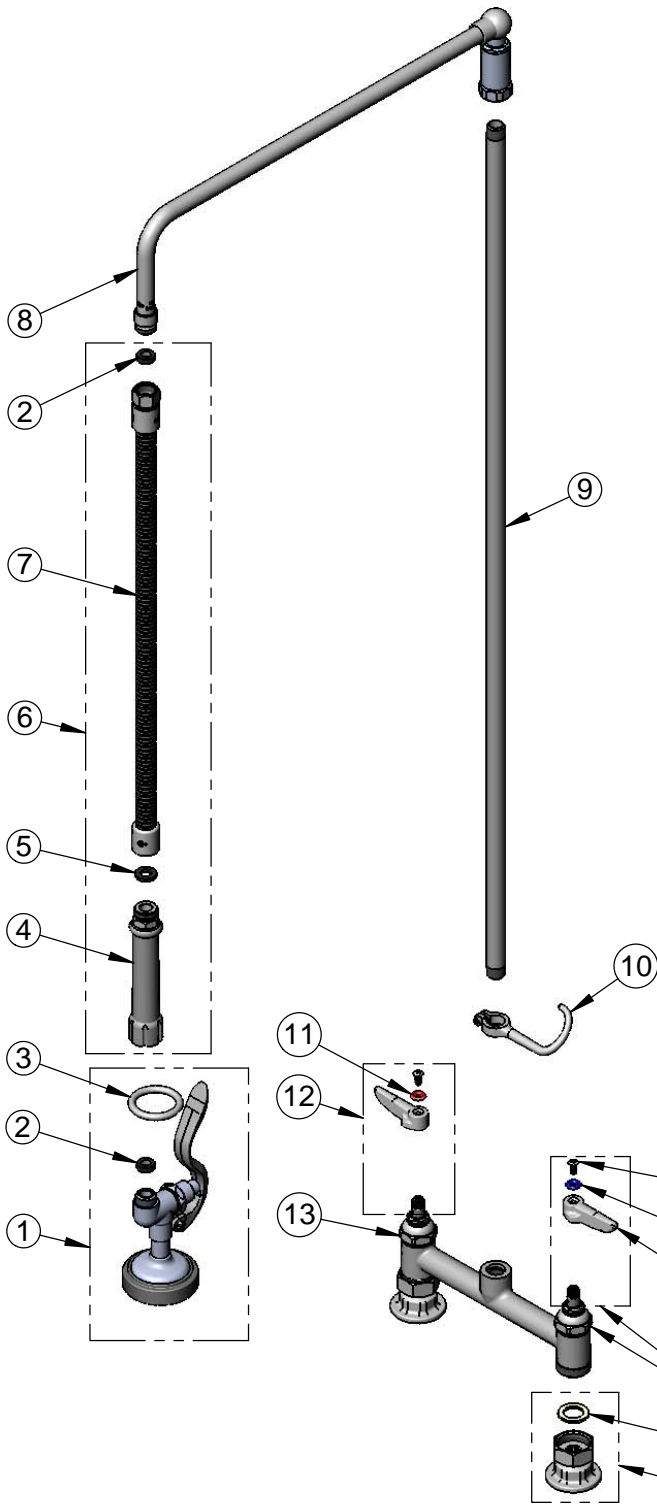
2 Saddleback Cove / P.O. Box 1088
Travelers Rest, SC 29690

Model No.

B-0122

Item No.

Travelers Rest, SC: 800-476-4103 • Simi Valley, CA: 800-423-0150 • Fax: 864-834-3518 • www.tsbrass.com



ITEM NO.	SALES NO.	DESCRIPTION
1	B-0107	1.42 GPM Spray Valve
2	010476-45	#27 Washer
3	000907-45	Spray Valve Hold Down Ring
4	002987-40	Grip Handle
5	001014-45	Washer, B-0100 Hose Barrel
6	B-0020-H	20" Flexible Stainless Steel Hose
7	B-0020-H2A	20" Flexible Stainless Steel Hose, Less Handle
8	002882-40	12" Swivel L-Tube
9		
10	004R	Finger Hook
11	001661-45	Red Index-HW
12	002712-40	Eterna Cartridge, RTC w/ Spring Check, Handle, Index & Screw
13	012443-40	Eterna Cartridge, RTC w/ Spring Check, Handle
14	000922-45	Lever Handle Screw
15	001660-45	Blue Index-CW
16	001638-45	Lever Handle
17	012442-40	Eterna Cartridge, LTC w/ Spring Check
18	002711-40	Eterna Cartridge, LTC w/ Spring Check, Handle, Index & Screw
19	001019-45	Coupling Nut Washer
20	00AA	1/2" NPT Female Eccentric Flange

Product Specifications:

Pre-Rinse Unit: 8" Deck Mount Mixing Faucet, Eterna Cartridges w/ Spring Checks, Lever Handles, 1.42 GPM Spray Valve, 38" Riser, 18" Overhead Swivel Arm & 1/2" NPT Female Inlets

Product Compliance:

ASME A112.18.1 / CSA B125.1
NSF 61 - Section 9
NSF 372 (Low Lead Content)
EPA Act 2005 (PRSV)