

T&S BRASS AND BRONZE WORKS, INC.
 2 SADDLEBACK COVE / P.O. BOX 1088 / TRAVELERS REST, SC 29690
 PHONE 800-476-4103 FAX 864- 834-3518

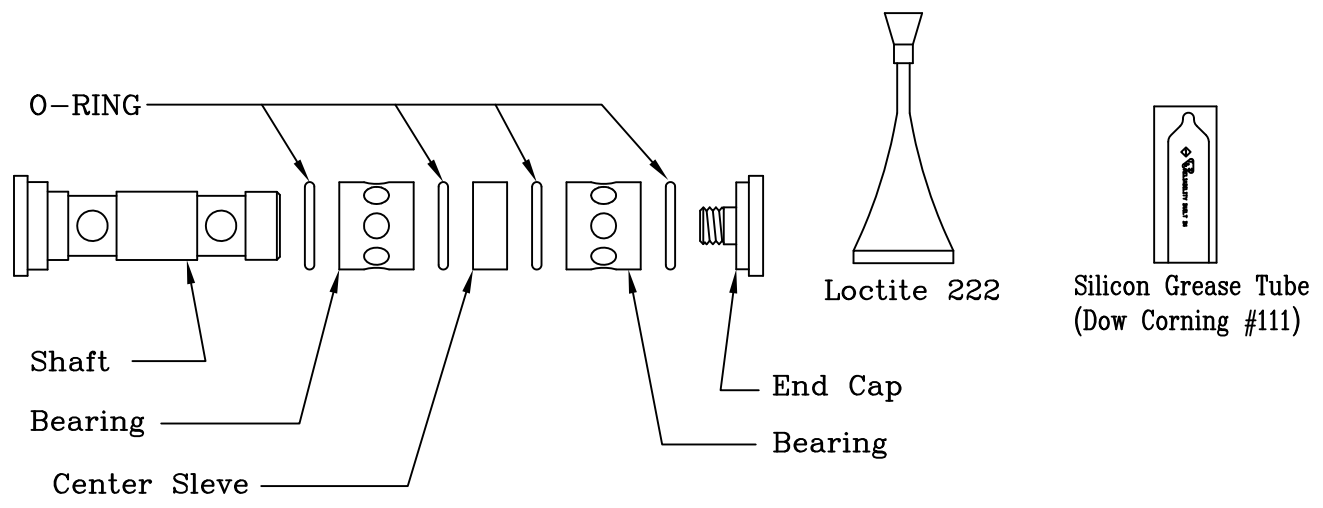
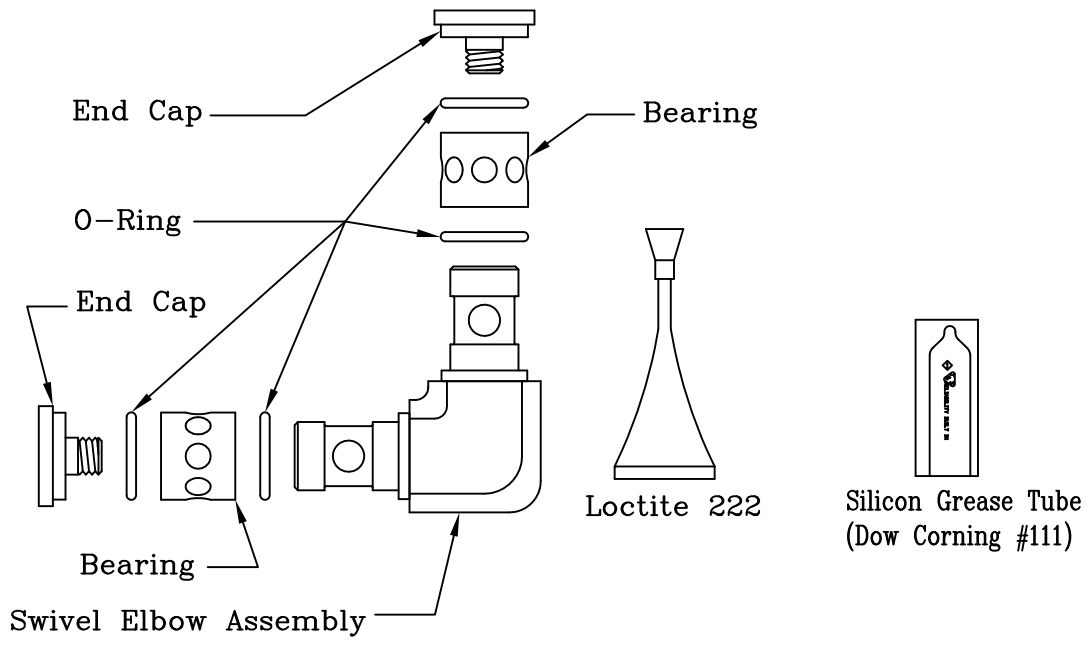


Model No.
 B-0114-RK
 Item No.:

Job Name:

Architect/Engineer Approval:

Notes:



Product Description:
 B-0114 Nautilus Repair Kit
 (009227-40 & 009228-40)

| | | |
|-----------------|-------------------|---------------|
| Drawn: DHL | Checked MAV | Scale: 1:4 |
| Approved JHB | Date: 02/07/08 | |