



# T&S BRASS AND BRONZE WORKS, INC.

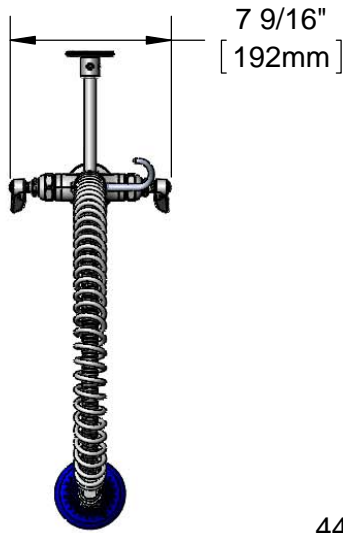
2 Saddleback Cove / P.O. Box 1088  
Travelers Rest, SC 29690

Model No.

**B-0113-V-B08**

Item No.

Travelers Rest, SC: 800-476-4103 • Simi Valley, CA: 800-423-0150 • Fax: 864-834-3518 • www.tsbrass.com



This Space for Architect/Engineer Approval

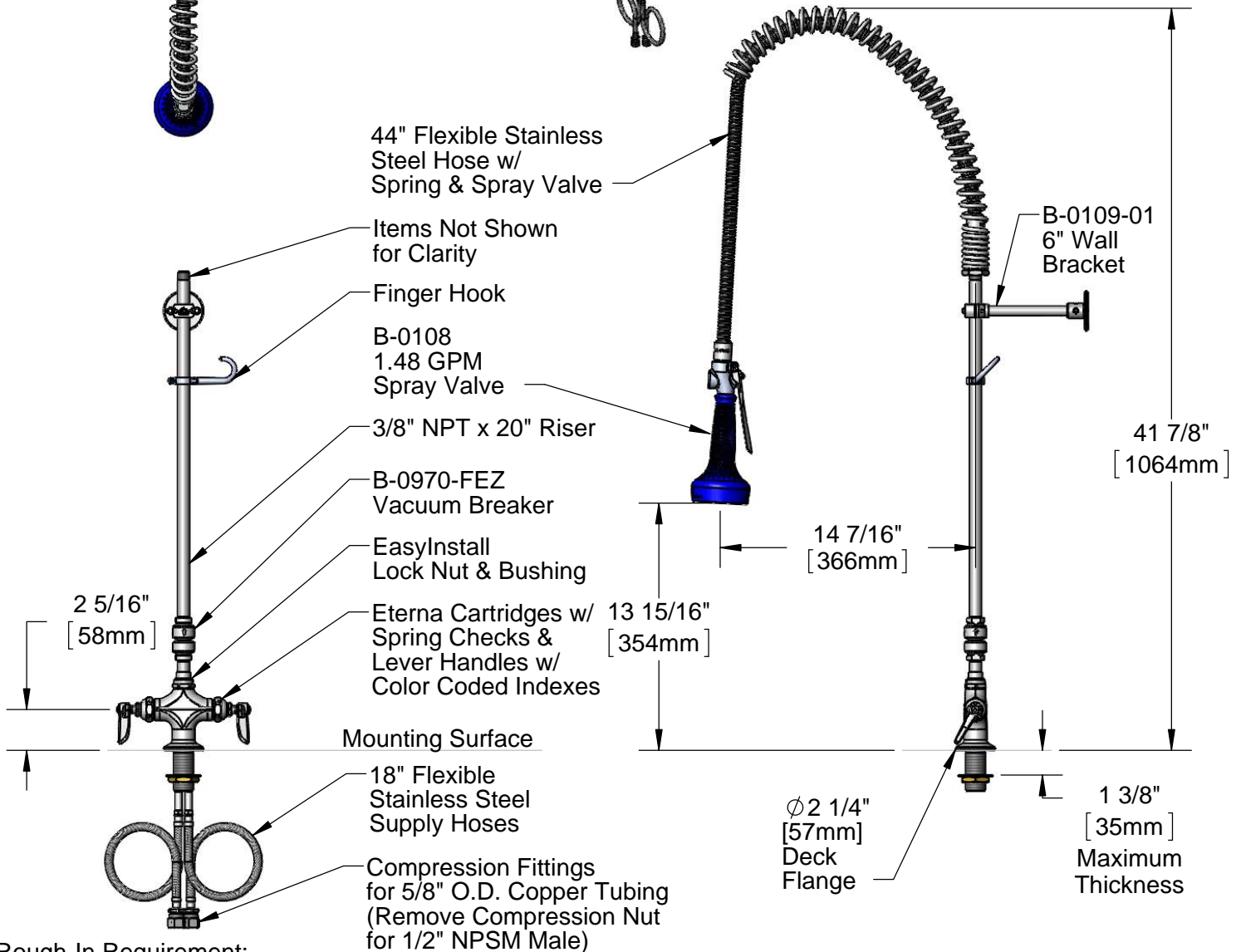
Job Name \_\_\_\_\_ Date \_\_\_\_\_

Model Specified \_\_\_\_\_ Quantity \_\_\_\_\_

Customer/Wholesaler \_\_\_\_\_

Contractor \_\_\_\_\_

Architect/Engineer \_\_\_\_\_



Rough-In Requirement:  
Ø 1 1/2" [Ø 38mm] Mounting Hole

Product Specifications:  
EasyInstall Pre-Rinse Unit:  
Single Deck Mount Base Mixing Faucet, Eterna Cartridges w/ Spring Checks, 44" Flexible Stainless Steel Hose, 1.48 GPM Spray Valve, 6" Wall Bracket, Vacuum Breaker & Flexible Stainless Steel Supply Hoses

Product Compliance:  
ASME A112.18.1 / CSA B125.1  
NSF 61 - Section 9  
NSF 372 (Low Lead Content)  
EPA Act 2005 (PRSV)  
CSA B64.8 (VB)



# T&S BRASS AND BRONZE WORKS, INC.

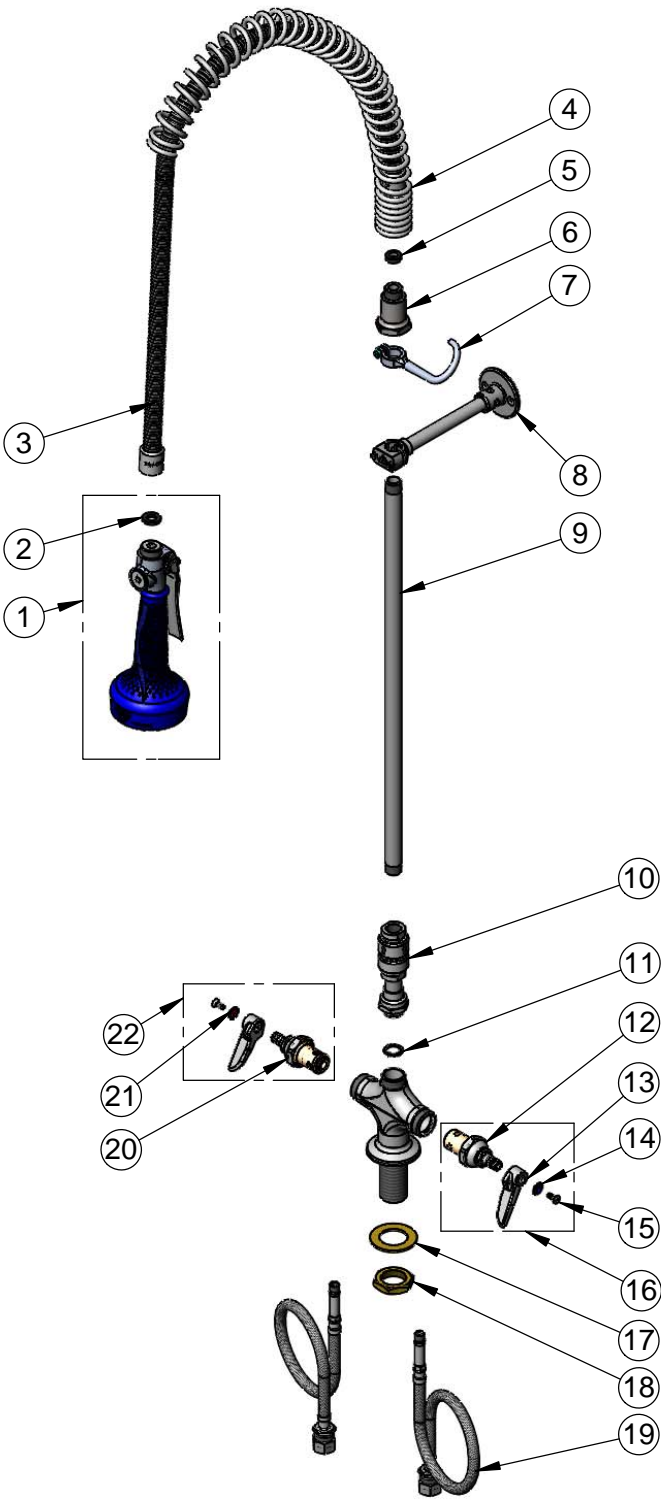
2 Saddleback Cove / P.O. Box 1088  
Travelers Rest, SC 29690

Model No.

**B-0113-V-B08**

Item No.

Travelers Rest, SC: 800-476-4103 • Simi Valley, CA: 800-423-0150 • Fax: 864-834-3518 • www.tsbrass.com



ITEM NO.	SALES NO.	DESCRIPTION
1	B-0108	1.48 GPM Spray Valve w/ Ergo-Grip
2	001014-45	Washer, B-0100 Hose Barrel
3	B-0044-H2A	44" Flexible Stainless Steel Hose, Less Handle
4	000888-45	EasyInstall Overhead Spring
5	010476-45	#27 Washer
6	000821-40	Spring Body
7	004R	Finger Hook
8	B-0109-01	6" Wall Bracket
9	000370-40	3/8" NPT x 20" Riser
10	B-0970-FEZ	Vacuum Breaker
11	014200-45	Star Washer, Anti-Rotation
12	012442-40	Quarter-Turn Eterna Cartridge, LTC w/ Spring Check
13	001638-45	Lever Handle
14	001660-45	Blue Index-CW
15	000922-45	Lever Handle Screw
16	002711-40	Quarter-Turn Eterna Cartridge, LTC w/ Spring Check, Handle, Index & Screw
17	002290-45	Lock Washer
18	000965-45	Lock Nut
19	012534-45	18" Flexible Supply hose (2)
20	012443-40	Quarter-Turn Eterna Cartridge, RTC w/ Spring Check
21	001661-45	Red Index-HW
22	002712-40	Quarter-Turn Eterna Cartridge, RTC w/ Spring Check, Handle, Index & Screw

**Product Specifications:**

EasyInstall Pre-Rinse Unit:  
Single Deck Mount Base Mixing Faucet, Eterna Cartridges w/ Spring Checks, 44" Flexible Stainless Steel Hose, 1.48 GPM Spray Valve, 6" Wall Bracket, Vacuum Breaker & Flexible Stainless Steel Supply Hoses

**Product Compliance:**

ASME A112.18.1 / CSA B125.1  
NSF 61 - Section 9  
NSF 372 (Low Lead Content)  
EPA Act 2005 (PRSV)  
CSA B64.8 (VB)