



T&S BRASS AND BRONZE WORKS, INC.

2 Saddleback Cove / P.O. Box 1088
Travelers Rest, SC 29690

Model No.

B-0113-CR-J

Item No.

Travelers Rest, SC: 800-476-4103 • Simi Valley, CA: 800-423-0150 • Fax: 864-834-3518 • www.tsbrass.com

This Space for Architect/Engineer Approval

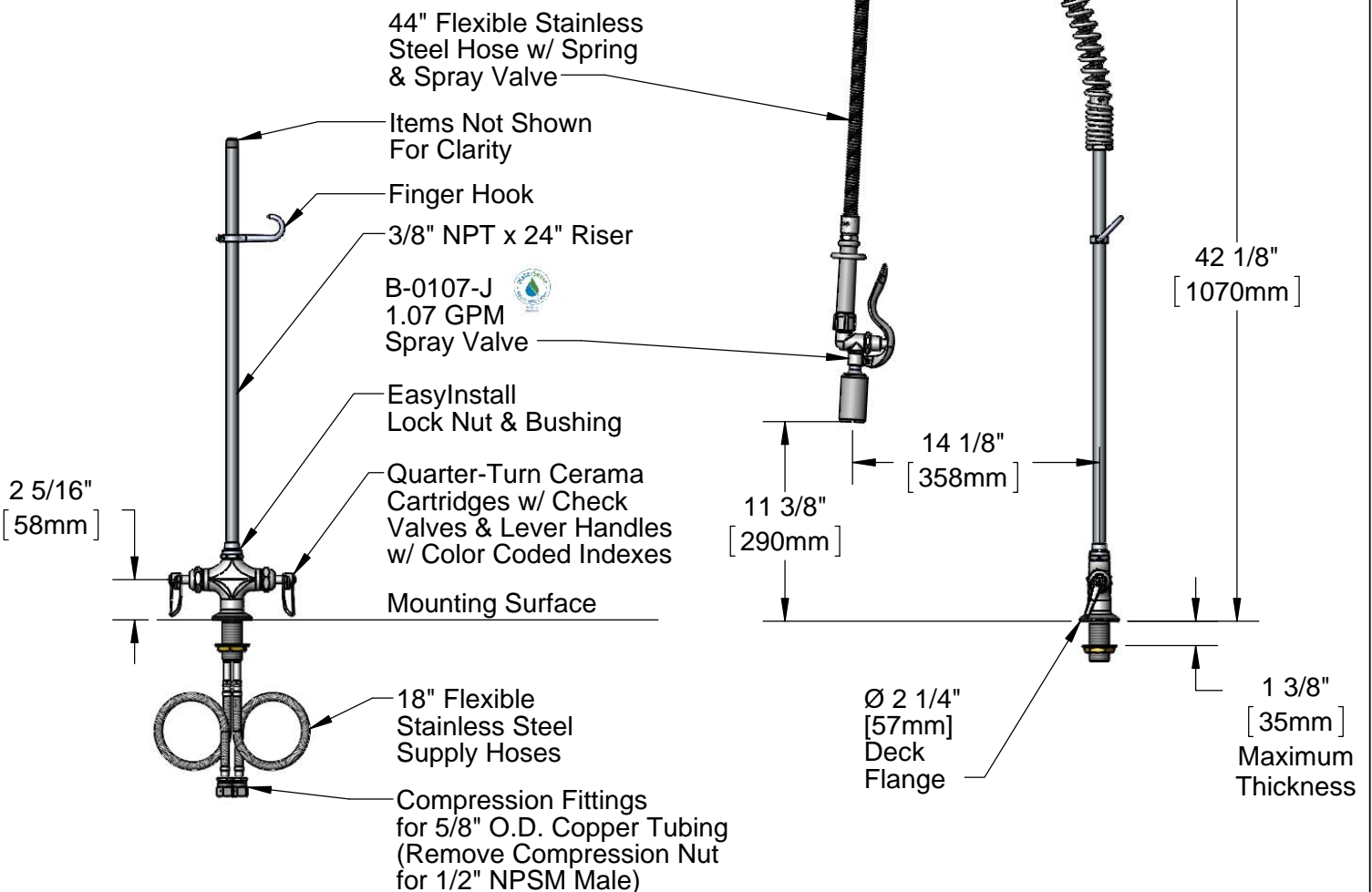
Job Name _____ Date _____

Model Specified _____ Quantity _____

Customer/Wholesaler _____

Contractor _____

Architect/Engineer _____



Rough-In Requirement:
Ø 1 1/2" [38mm] Mounting Hole

Product Specifications:

EasyInstall Pre-Rinse Unit: Single Hole Deck Mount Mixing Faucet, Quarter-Turn Cerama Cartridges w/ Check Valves, Lever Handles, 44" Flexible Stainless Steel Hose, 1.07 GPM Spray Valve & Flexible Stainless Steel Supply Hoses

Product Compliance:

ASME A112.18.1 / CSA B125.1
NSF 61 - Section 9
NSF 372 (Low Lead Content)
EPA Act 2005 (PRSV)
EPA WaterSense (PRSV)



T&S BRASS AND BRONZE WORKS, INC.

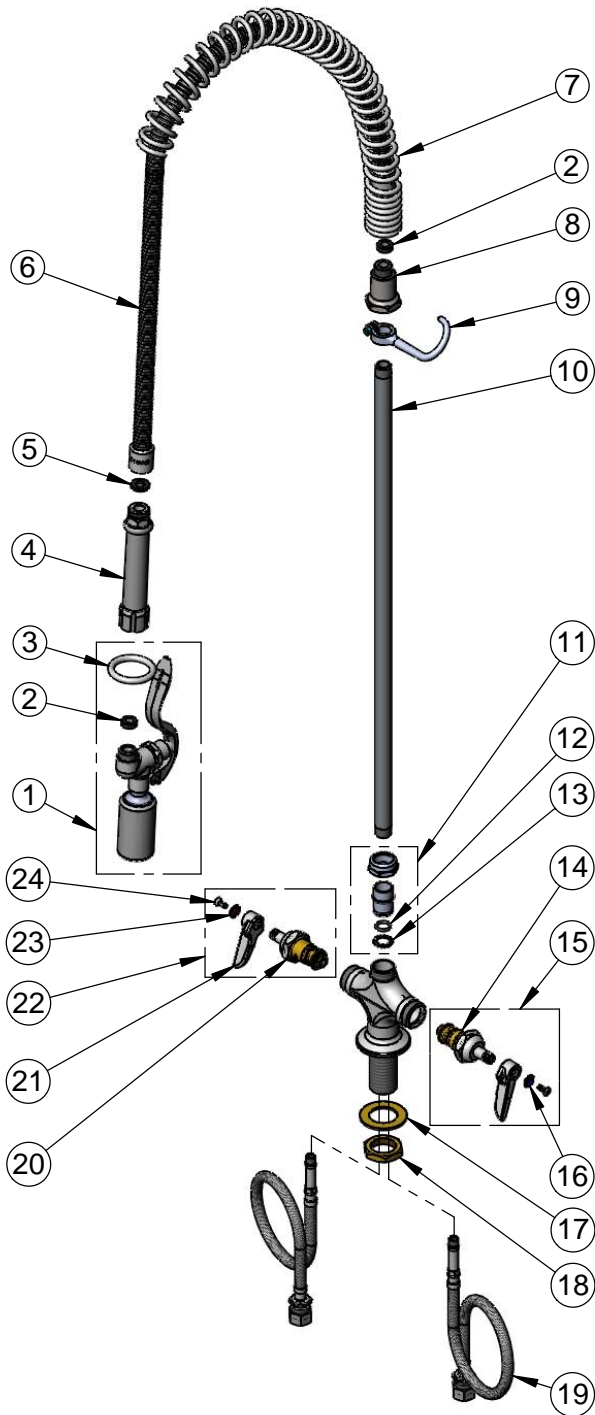
2 Saddleback Cove / P.O. Box 1088
Travelers Rest, SC 29690

Model No.

B-0113-CR-J

Item No.

Travelers Rest, SC: 800-476-4103 • Simi Valley, CA: 800-423-0150 • Fax: 864-834-3518 • www.tsbrass.com



ITEM NO.	SALES NO.	DESCRIPTION
1	B-0107-J	1.07 GPM Spray Valve
2	010476-45	#27 Washer
3	000907-45	Spray Valve Hold Down Ring
4	002987-40	Grip Handle
5	001014-45	Washer, B-0100 Hose Barrel
6	B-0044-H2A	44" Flexible Stainless Steel Hose, Less Handle
7	000888-45	EasyInstall Overhead Spring
8	000821-40	Spring Body
9	004R	Finger Hook
10	000372-40	3/8" NPT x 24" Riser
11	EZ-K	EasyInstall Kit: Nut, Bushing, O-Ring & Lock Washer
12	001065-45	O-Ring
13	014200-45	Star Washer, Anti-Rotation
14	012395-25	Quarter-Turn Cerama Cartridge, LTC w/ Check Valve
15	012447-25	Quarter-Turn Cerama Cartridge, LTC w/ Check Valve, Handle, Index & Screw
16	001660-45	Blue Index-CW
17	002290-45	Lock Washer
18	000965-45	Lock Nut
19	012534-45	18" Flexible Supply Hose (2)
20	012394-25	Quarter-Turn Cerama Cartridge, RTC w/ Check Valve
21	001638-45	Lever Handle
22	012446-25	Quarter-Turn Cerama Cartridge, RTC w/ Check Valve, Handle, Index & Screw
23	001661-45	Red Index-HW
24	000922-45	Lever Handle Screw

Product Specifications:

EasyInstall Pre-Rinse Unit: Single Hole Deck Mount Mixing Faucet, Quarter-Turn Cerama Cartridges w/ Check Valves, Lever Handles, 44" Flexible Stainless Steel Hose, 1.07 GPM Spray Valve & Flexible Stainless Steel Supply Hoses

Product Compliance:

ASME A112.18.1 / CSA B125.1
NSF 61 - Section 9
NSF 372 (Low Lead Content)
EPA Act 2005 (PRSV)
EPA WaterSense (PRSV)