



**T&S BRASS AND BRONZE WORKS, INC.**  
 2 Saddleback Cove / P.O. Box 1088  
 Travelers Rest, SC 29690

Model No.  
**B-0113-BQD**

Item No.

Travelers Rest, SC: 800-476-4103 • Simi Valley, CA: 800-423-0150 • Fax: 864-834-3518 • www.tsbrass.com

This Space for Architect/Engineer Approval

Job Name \_\_\_\_\_ Date \_\_\_\_\_  
 Model Specified \_\_\_\_\_ Quantity \_\_\_\_\_  
 Customer/Wholesaler \_\_\_\_\_  
 Contractor \_\_\_\_\_  
 Architect/Engineer \_\_\_\_\_



44" Flexible Stainless Steel Hose w/ Spring & Spray Valve

Items Not Shown For Clarity

Finger Hook

3/8" NPT Stainless Steel Quick Disconnect

3/8" NPT x 24" Riser

B-0107 1.42 GPM Spray Valve

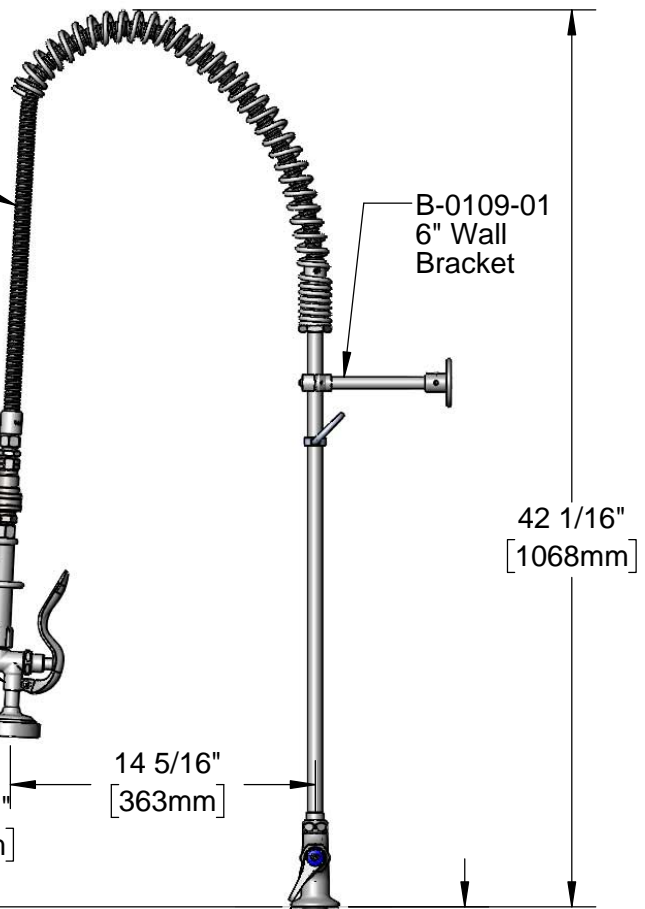
EasyInstall Lock Nut & Bushing

Quarter-Turn Eterna Cartridges w/ Spring Checks & Lever Handles w/ Color Coded Indexes

Mounting Surface

18" Flexible Stainless Steel Supply Hoses

Compression Fittings for 5/8" O.D. Copper Tubing (Remove Compression Nut for 1/2" NPSM Male)



B-0109-01 6" Wall Bracket

42 1/16" [1068mm]

14 5/16" [363mm]

12 9/16" [319mm]

2 5/16" [58mm]

Ø 2 1/4" [57mm] Deck Flange

1 3/8" [35mm] Maximum Thickness

Rough-In Requirement:  
 Ø 1 1/2" [38mm] Mounting Hole

Product Specifications:

Pre-Rinse Unit: EasyInstall Single Hole Deck Mount Mixing Faucet, Quarter-Turn Eterna Cartridges w/ Spring Checks, Lever Handles, 44" Flexible Stainless Steel Hose, 1.42 GPM Spray Valve, 3/8" NPT Quick Disconnect, 6" Wall Bracket & Flexible Stainless Steel Supply Hoses

Product Compliance:

ASME A112.18.1 / CSA B125.1  
 NSF 61 - Section 9  
 NSF 372 (Low Lead Content)  
 EPA Act 2005 (PRSV)



# T&S BRASS AND BRONZE WORKS, INC.

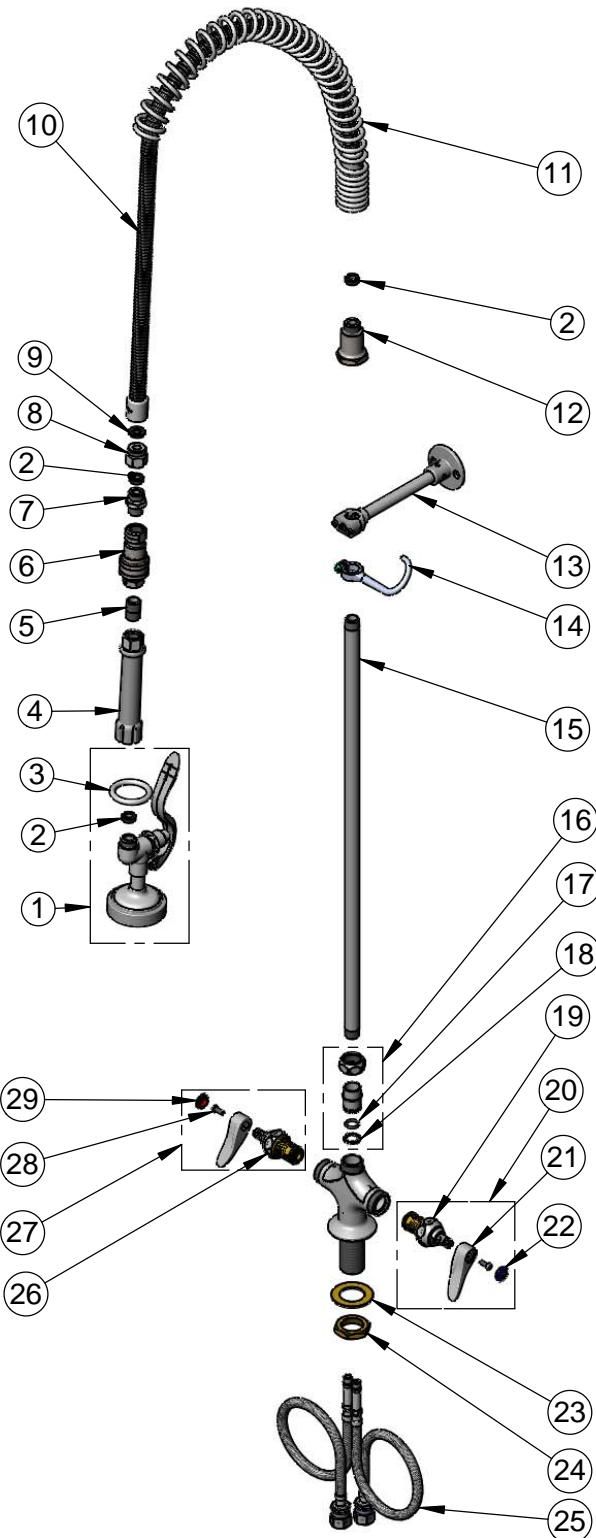
2 Saddleback Cove / P.O. Box 1088  
Travelers Rest, SC 29690

Model No.

**B-0113-BQD**

Item No.

Travelers Rest, SC: 800-476-4103 • Simi Valley, CA: 800-423-0150 • Fax: 864-834-3518 • www.tsbrass.com



ITEM NO.	SALES NO.	DESCRIPTION
1	B-0107	1.42 GPM Spray Valve
2	010476-45	#27 Washer
3	000907-45	Spray Valve Hold Down Ring
4	002987-40	Grip Handle
5	002535-25	3/8" Close Nipple
6	AW-5B	3/8" NPT Stainless Steel Quick Disconnect
7	053A	Adapter, 3/8" NPT Male
8	000729-40	Nut, 7/8-20 Male x 3/4-14 Female
9	001014-45	Washer, B-0100 Hose Barrel
10	B-0044-H2A	44" Flexible Stainless Steel Hose, Less Handle
11	000888-45	EasyInstall Overhead Spring
12	000821-40	Spring Body
13	B-0109-01	6" Wall Bracket
14	004R	Finger Hook
15	000372-40	3/8" NPT x 24" Riser
16	EZ-K	EasyInstall Kit: Nut, Bushing, O-Ring & Lock Washer
17	001065-45	O-Ring
18	014200-45	Star Washer, Anti-Rotation
19	012442-40NS	Quarter-Turn Eterna Cartridge w/ Spring Check, LTC
20	002711-40NS	Quarter-Turn Eterna Cartridge w/ Spring Check, Handle, Blue Index & Screw, LTC
21	001638-45NS	Lever Handle (New Style)
22	018506-19NS	Blue Button Index, Press-in
23	002290-45	Lock Washer
24	000965-45	Lock Nut
25	012534-45	18" Flexible Supply Hose (2)
26	012443-40NS	Quarter-Turn Eterna Cartridge w/ Spring Check, RTC
27	002712-40NS	Quarter-Turn Eterna Cartridge w/ Spring Check, Handle, Red Index & Screw, RTC
28	000925-45	Lab Handle Screw
29	001193-19NS	Red Button Index, Press-in

**Product Specifications:**

Pre-Rinse Unit: EasyInstall Single Hole Deck Mount Mixing Faucet, Quarter-Turn Eterna Cartridges w/ Spring Checks, Lever Handles, 44" Flexible Stainless Steel Hose, 1.42 GPM Spray Valve, 3/8" NPT Quick Disconnect, 6" Wall Bracket & Flexible Stainless Steel Supply Hoses

**Product Compliance:**

ASME A112.18.1 / CSA B125.1  
NSF 61 - Section 9  
NSF 372 (Low Lead Content)  
EPA Act 2005 (PRSV)