



T&S BRASS AND BRONZE WORKS, INC.
 2 Saddleback Cove / P.O. Box 1088
 Travelers Rest, SC 29690

Model No.

B-0113-B-TEE

Item No.

Travelers Rest, SC: 800-476-4103 • Simi Valley, CA: 800-423-0150 • Fax: 864-834-3518 • www.tsbrass.com

This Space for Architect/Engineer Approval

Job Name _____ Date _____

Model Specified _____ Quantity _____

Customer/Wholesaler _____

Contractor _____

Architect/Engineer _____

7 7/16"
[188mm]



44" Flexible Stainless Steel
Hose w/ Spring & Spray Valve

Items Not Shown
For Clarity

B-TEE-RGD
Tee for Accessory Fittings

Finger Hook

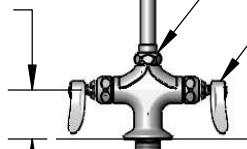
3/8" NPT x 24" Riser

B-0107
1.42 GPM
Spray Valve

EasyInstall
Lock Nut & Bushing

Quarter-Turn
Eterna Cartridges w/
Spring Checks &
Lever Handles w/
Color Coded Indexes
Mounting Surface

2 5/16"
[58mm]



18" Flexible
Stainless Steel
Supply Hoses

Compression Fittings
for 5/8" O.D. Copper Tubing
(Remove Compression Nut
for 1/2" NPSM Male)

12 9/16"
[319mm]

14 1/16"
[357mm]

Ø 2 1/4"
[57mm]
Deck
Flange

B-0109-01
6" Wall
Bracket

43 13/16"
[1113mm]

1 3/8"
[35mm]
Maximum
Thickness

Rough-In Requirement:
Ø 1 1/2" [38mm] Mounting Hole

Product Specifications:

Pre-Rinse Unit: EasyInstall Single Hole Deck Mount Mixing Faucet, Quarter-Turn Eterna Cartridges w/ Spring Checks, Lever Handles, 44" Flexible Stainless Steel Hose, 1.42 GPM Spray Valve, 6" Wall Bracket, Accessory Fitting Tee & Flexible Stainless Steel Supply Hoses

Product Compliance:

ASME A112.18.1 / CSA B125.1
 NSF 61 - Section 9
 NSF 372 (Low Lead Content)
 EPA 2005 (PRSV)



T&S BRASS AND BRONZE WORKS, INC.

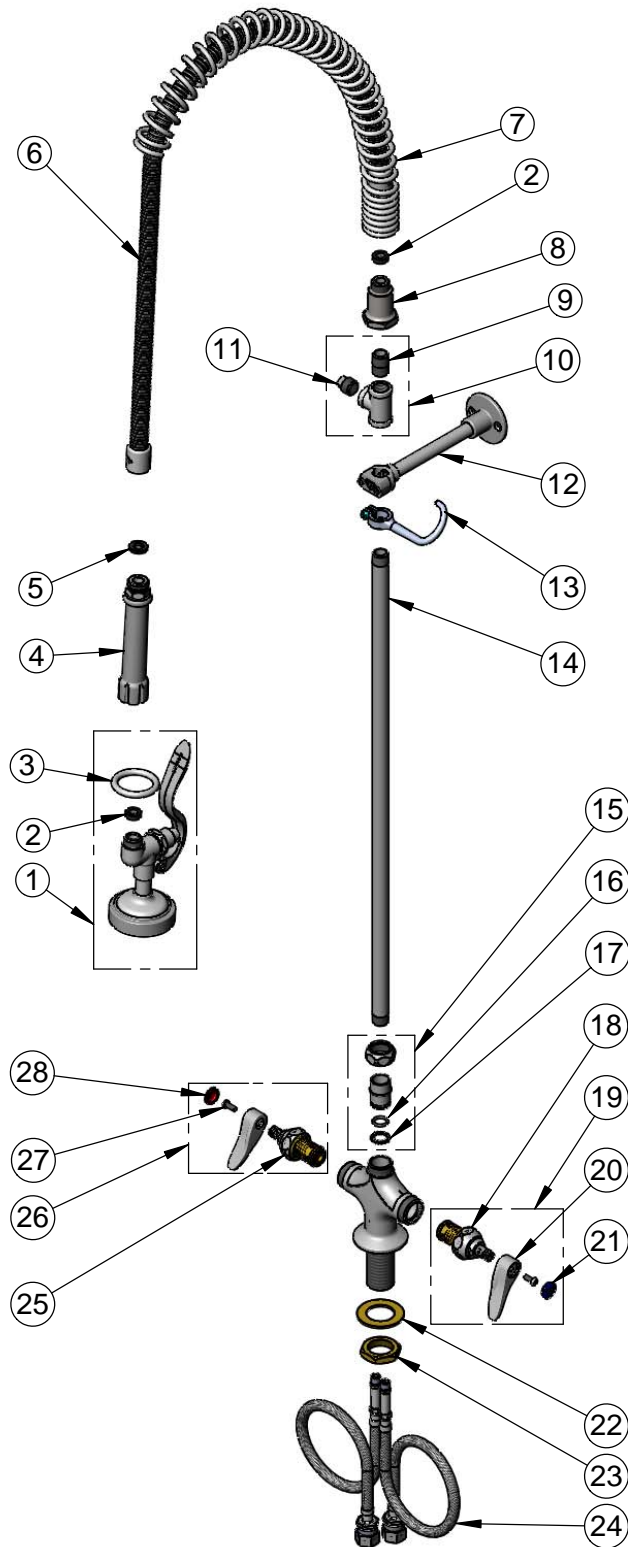
2 Saddleback Cove / P.O. Box 1088
Travelers Rest, SC 29690

Model No.

B-0113-B-TEE

Item No.

Travelers Rest, SC: 800-476-4103 • Simi Valley, CA: 800-423-0150 • Fax: 864-834-3518 • www.tsbrass.com



ITEM NO.	SALES NO.	DESCRIPTION
1	B-0107	1.07 GPM Spray Valve
2	010476-45	#27 Washer
3	000907-45	Spray Valve Hold Down Ring
4	002987-40	Grip Handle
5	001014-45	Washer, B-0100 Hose Barrel
6	B-0044-H2A	44" Flexible Stainless Steel Hose, Less Handle
7	000888-45	EasyInstall Overhead Spring
8	000821-40	Spring Body
9	002535-25	3/8" Close Nipple
10	B-TEE-RGD	Rigid Tee
11	001614-40	3/8" NPT Plug
12	B-0109-01	6" Wall Bracket
13	004R	Finger Hook
14	000372-40	3/8" NPT x 24" Riser
15	EZ-K	EasyInstall Kit: Nut, Bushing, O-Ring & Lock Washer
16	001065-45	O-Ring
17	014200-45	Star Washer, Anti-Rotation
18	012442-40NS	Quarter-Turn Eterna Cartridge w/ Spring Check, LTC
19	002711-40NS	Quarter-Turn Eterna Cartridge w/ Spring Check, Handle, Blue Index & Screw, LTC
20	001638-45NS	Lever Handle (New Style)
21	018506-19NS	Blue Button Index, Press-in
22	002290-45	Lock Washer
23	000965-45	Lock Nut
24	012534-45	18" Flexible Supply Hose (2)
25	012443-40NS	Quarter-Turn Eterna Cartridge w/ Spring Check, RTC
26	002712-40NS	Quarter-Turn Eterna Cartridge w/ Spring Check, Handle, Red Index & Screw, RTC
27	000925-45	Lab Handle Screw
28	001193-19NS	Red Button Index, Press-in

Product Specifications:

Pre-Rinse Unit: EasyInstall Single Hole Deck Mount Mixing Faucet, Quarter-Turn Eterna Cartridges w/ Spring Checks, Lever Handles, 44" Flexible Stainless Steel Hose, 1.42 GPM Spray Valve, 6" Wall Bracket, Accessory Fitting Tee & Flexible Stainless Steel Supply Hoses

Product Compliance:

ASME A112.18.1 / CSA B125.1
NSF 61 - Section 9
NSF 372 (Low Lead Content)
EPA Act 2005 (PRSV)