



# T&S BRASS AND BRONZE WORKS, INC.

2 Saddleback Cove / P.O. Box 1088  
Travelers Rest, SC 29690

Model No.

**B-0113-A-08 SERIES**

Item No.

Travelers Rest, SC: 800-476-4103 • Simi Valley, CA: 800-423-0150 • Fax: 864-834-3518 • www.tsbrass.com

This Space for Architect/Engineer Approval

Job Name \_\_\_\_\_ Date \_\_\_\_\_

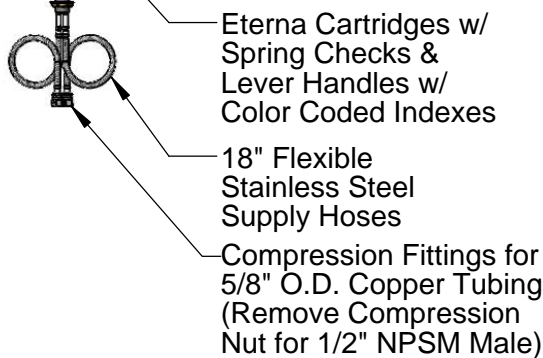
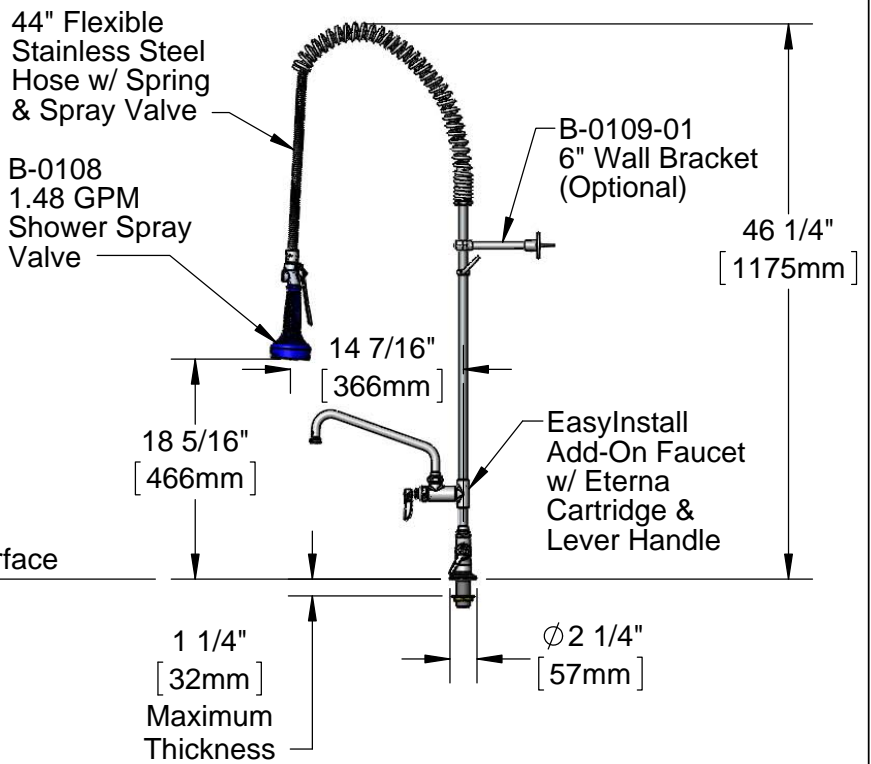
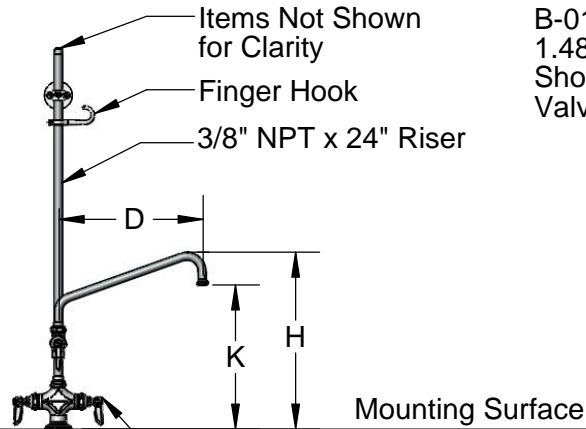
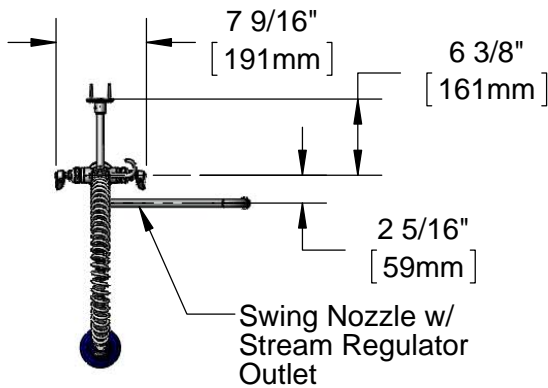
Model Specified \_\_\_\_\_ Quantity \_\_\_\_\_

Customer/Wholesaler \_\_\_\_\_

Contractor \_\_\_\_\_

Architect/Engineer \_\_\_\_\_

Model	Swing Nozzle	D	K	H	6" Wall Bracket
B-0113-A06-08	059X	6"	10 1/16"	12 3/4"	No
B-0113-A06-B08	059X	6"	10 1/16"	12 3/4"	Yes
B-0113-A08-08	060X	8"	10 5/8"	13 3/8"	No
B-0113-A08-B08	060X	8"	10 5/8"	13 3/8"	Yes
B-0113-A10-08	061X	10"	11 3/8"	14 1/16"	No
B-0113-A10-B08	061X	10"	11 3/8"	14 1/16"	Yes
B-0113-A12-08	062X	12"	12"	14 3/4"	No
B-0113-A12-B08	062X	12"	12"	14 3/4"	Yes



Rough-In Requirement:  
Ø 1 1/2" [38mm] Mounting Hole

Product Specifications:  
EasyInstall Pre-Rinse Unit:  
Single Deck Mount Base Mixing Faucet, Eterna Cartridges w/ Spring Checks, Add-On Faucet w/ Swivel Nozzle, 24" Riser, 44" Flexible Stainless Steel Hose, 1.48 GPM Spray Valve, Flexible Supply Hoses & 6" Wall Bracket (Optional)

Product Compliance:  
ASME A112.18.1 / CSA B125.1  
NSF 61 - Section 9  
NSF 372 (Low Lead Content)  
EPA Act 2005 (PRSV)



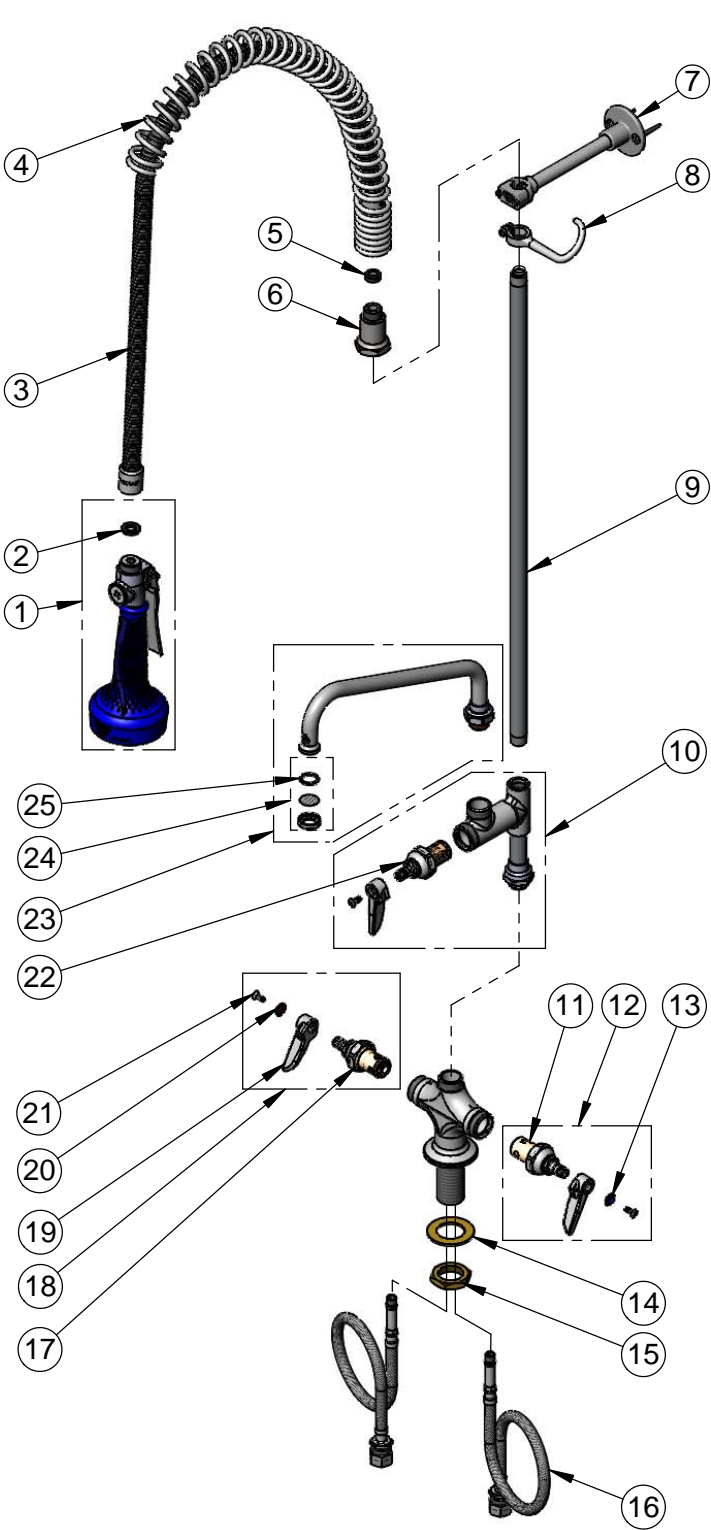
# T&S BRASS AND BRONZE WORKS, INC.

2 Saddleback Cove / P.O. Box 1088  
Travelers Rest, SC 29690

Model No.  
**B-0113-A-08 SERIES**

Item No.

Travelers Rest, SC: 800-476-4103 • Simi Valley, CA: 800-423-0150 • Fax: 864-834-3518 • www.tsbrass.com



ITEM NO.	SALES NO.	DESCRIPTION
1	B-0108	1.48 GPM Spray Valve w/ Ergo-Grip
2	001014-45	Washer, B-0100 Hose Barrel
3	B-0044-H2A	44" Flexible Stainless Steel Hose, Less Handle
4	000888-45	EasyInstall Overhead Spring
5	010476-45	#27 Washer
6	000821-40	Spring Body
7	B-0109-01	6" Wall Bracket
8	004R	Finger Hook
9	000372-40	3/8" NPT x 24" Riser
10	B-0155-LNEZ	Add-On Faucet w/ 1/4 Turn Eterna Cartridge, RTC & Lever Handle (Less Nozzle)
11	012442-40	Eterna Cartridge, LTC w/ Spring Check
12	002711-40	Eterna Cartridge, LTC w/ Spring Check, Handle, Index & Screw
13	001660-45	Blue Index-CW
14	002290-45	Lock Washer
15	000965-45	Lock Nut
16	012534-45	18" Flexible Supply Hose (2)
17	012443-40	Eterna Cartridge, RTC w/ Spring Check
18	002712-40	Eterna Cartridge, RTC w/ Spring Check, Handle, Index & Screw
19	001638-45	Lever Handle
20	001661-45	Red Index-HW
21	000922-45	Lever Handle Screw
22	005960-40QT	1/4 Turn Eterna Cartridge, RTC
23	See Chart	Swing Nozzle
24	B-PT	Stream Regulator Outlet
25	001048-45	Nozzle Tip Washer

**Product Specifications:**

**EasyInstall Pre-Rinse Unit:**  
Single Deck Mount Base Mixing Faucet, Eterna Cartridges w/ Spring Checks, Add-On Faucet w/ Swivel Nozzle, 24" Riser, 44" Flexible Stainless Steel Hose, 1.48 GPM Spray Valve, Flexible Supply Hoses & 6" Wall Bracket (Optional)

**Product Compliance:**

ASME A112.18.1 / CSA B125.1  
NSF 61 - Section 9  
NSF 372 (Low Lead Content)  
EPA Act 2005 (PRSV)