



T&S BRASS AND BRONZE WORKS, INC.

2 Saddleback Cove / P.O. Box 1088
Travelers Rest, SC 29690

Model No.

B-0113-14CRQJST

Item No.

Travelers Rest, SC: 800-476-4103 • Simi Valley, CA: 800-423-0150 • Fax: 864-834-3518 • www.tsbrass.com

This Space for Architect/Engineer Approval

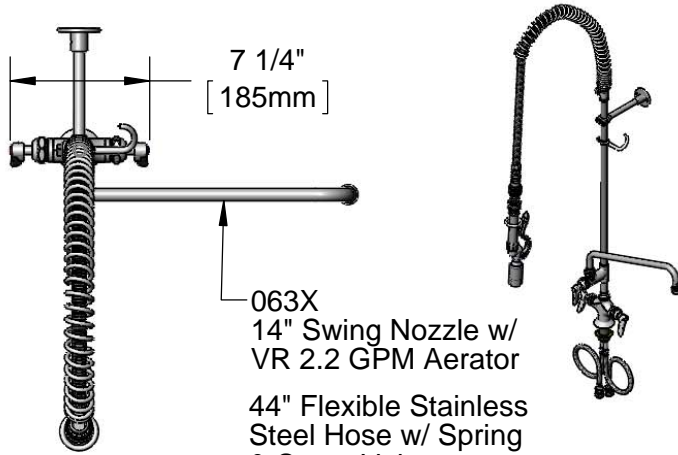
Job Name _____ Date _____

Model Specified _____ Quantity _____

Customer/Wholesaler _____

Contractor _____

Architect/Engineer _____



7 1/4"
[185mm]

063X
14" Swing Nozzle w/
VR 2.2 GPM Aerator
44" Flexible Stainless
Steel Hose w/ Spring
& Spray Valve

Items Not Shown
For Clarity

B-TEE-RGD
Tee for Accessory Fittings

Direction of Tee is Discretion
of End-User During Installation

018200-40
Pre-Rinse Swivel

Finger Hook

3/8" NPT x 24"
Riser

14"
[356mm]

EasyInstall
Lock Nut &
Bushing

2 5/16"
[58mm]

12 1/2"
[318mm]

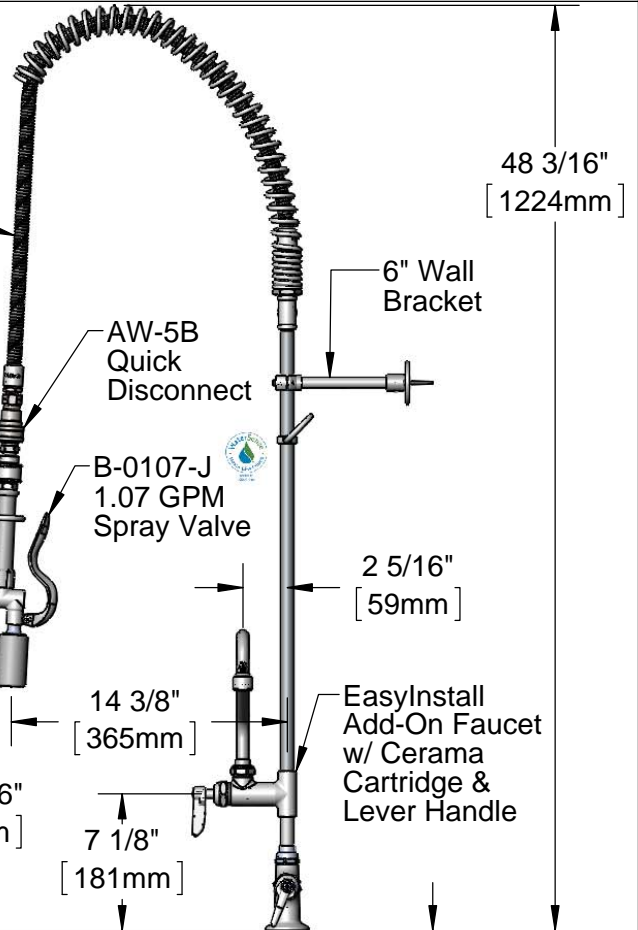
15 11/16"
[398mm]

Mounting Surface

Quarter-Turn Cerama Cartridges
w/ Check Valves & Lever Handles
w/ Color Coded Indexes

18" Flexible Stainless
Steel Supply Hoses

Compression Fittings
for 5/8" O.D. Copper Tubing
(Remove Compression Nut
for 1/2" NPSM Male)



48 3/16"
[1224mm]

6" Wall
Bracket

AW-5B
Quick
Disconnect

B-0107-J
1.07 GPM
Spray Valve

2 5/16"
[59mm]

EasyInstall
Add-On Faucet
w/ Cerama
Cartridge &
Lever Handle

14 3/8"
[365mm]

7 1/8"
[181mm]

Ø 2 1/4"
[57mm]

Deck
Flange

1 3/8"
[35mm]
Maximum
Thickness

Rough-In Requirement:
Ø 1 1/2" [38mm] Mounting Hole

Product Specifications:

Pre-Rinse Unit: EasyInstall Single Hole Deck Mount Mixing Faucet, Quarter-Turn Cerama Cartridges w/ Check Valves, Lever Handles, Add-On Faucet, 14" Swing Nozzle w/ VR 2.2 GPM Aerator, 44" Flexible Stainless Steel Hose, Quick Disconnect, 1.07 GPM Spray Valve w/ Swivel, Accessory Fitting Tee, 6" Wall Bracket & Flexible Supply Hoses

Product Compliance:

ASME A112.18.1 / CSA B125.1
NSF 61 - Section 9
NSF 372 (Low Lead Content)
EPA Act 2005 (PRSV)
EPA WaterSense (PRSV)



T&S BRASS AND BRONZE WORKS, INC.

2 Saddleback Cove / P.O. Box 1088
Travelers Rest, SC 29690

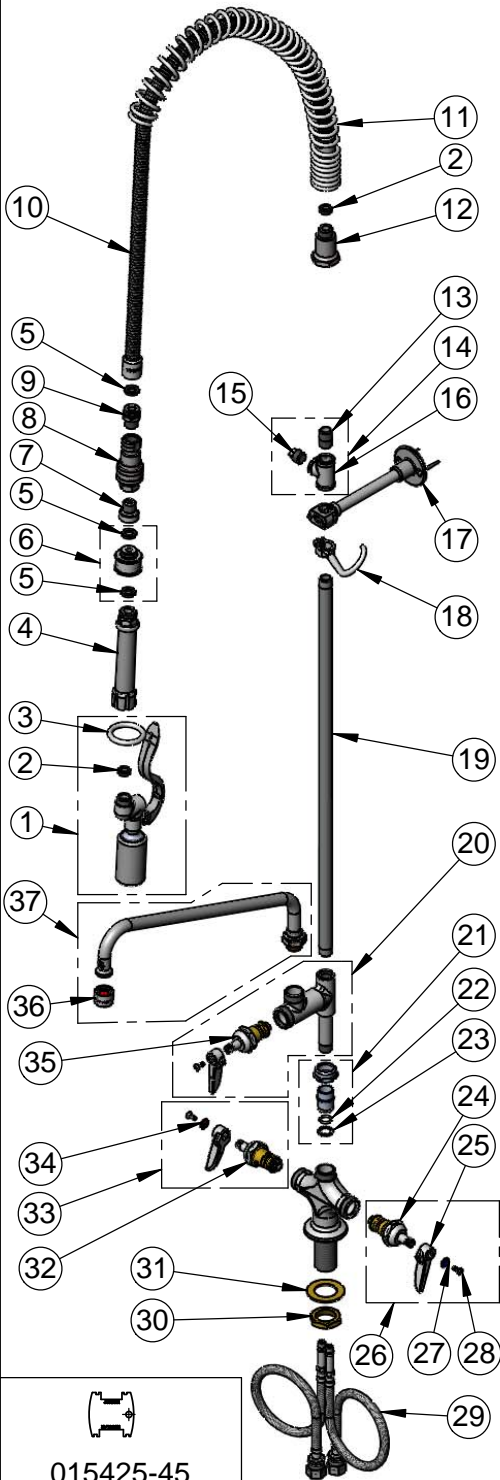
Model No.

B-0113-14CRQJST

Item No.

Travelers Rest, SC: 800-476-4103 • Simi Valley, CA: 800-423-0150 • Fax: 864-834-3518 • www.tsbrass.com

ITEM NO.	SALES NO.	DESCRIPTION
1	B-0107-J	1.07 GPM Spray Valve
2	010476-45	#27 Washer
3	000907-45	Spray Valve Hold Down Ring
4	002987-40	Grip Handle
5	001014-45	Washer, B-0100 Hose Barrel
6	018200-40	Pre-Rinse Swivel
7	017959-25	Adapter, 3/8 NPT Male x 7/8-20 Female
8	AW-5B	Quick Disconnect
9	017960-25	Adapter, 3/8 NPT x 7/8-20 Male
10	B-0044-H2A	44" Flexible Stainless Steel Hose, Less Handle
11	000888-45	EasyInstall Overhead Spring
12	000821-40	Spring Body
13	002535-25	3/8" Close Nipple
14	B-TEE-RGD	Rigid Tee
15	002369-25	3/8" NPT Plug
16	001614-40	3/8" NPT Tee
17	B-0109-01	6" Wall Bracket
18	004R	Finger Hook
19	000372-40	3/8" NPT x 24" Riser
20	B-0155-CR-LN	Add-On Faucet w/ Quarter-Turn Cerama Cartridge, RTC & Lever Handle, Less Nozzle
21	EZ-K	EasyInstall Kit: Bushing, O-Ring, Lock Washer & Loctite 222
22	001065-45	O-Ring
23	014200-45	Star Washer, Anti-Rotation
24	012395-25	Quarter-Turn Cerama Cartridge, LTC w/ Check Valve
25	001638-45	Lever Handle
26	012447-25	Quarter-Turn Cerama Cartridge, LTC w/ Check Valve, Handle, Index & Screw
27	001660-45	Blue Index-CW
28	000922-45	Lever Handle Screw
29	012534-45	18" Flexible Supply Hose (2)
30	000965-45	Lock Nut
31	002290-45	Lock Washer
32	012394-25	Quarter-Turn Cerama Cartridge, RTC w/ Check Valve
33	012446-25	Quarter-Turn Cerama Cartridge, RTC w/ Check Valve, Handle, Index & Screw
34	001661-45	Red Index-HW
35	011278-25	Quarter-Turn Cerama Cartridge, RTC
36	B-0199-06	VR 2.2 GPM Aerator w/ Key
37	063X-V22	14" Swing Nozzle w/ VR 2.2 GPM Aerator



015425-45
Vandal Resistant
Key

Product Specifications:
Pre-Rinse Unit: EasyInstall Single Hole Deck Mount Mixing Faucet, Quarter-Turn Cerama Cartridges w/ Check Valves, Lever Handles, Add-On Faucet, 14" Swing Nozzle w/ VR 2.2 GPM Aerator, 44" Flexible Stainless Steel Hose, Quick Disconnect, 1.07 GPM Spray Valve w/ Swivel, Accessory Fitting Tee, 6" Wall Bracket & Flexble Supply Hoses

Product Compliance:
ASME A112.18.1 / CSA B125.1
NSF 61 - Section 9
NSF 372 (Low Lead Content)
EPA Act 2005 (PRSV)
EPA WaterSense (PRSV)