



T&S BRASS AND BRONZE WORKS, INC.

2 Saddleback Cove / P.O. Box 1088
Travelers Rest, SC 29690

Model No.

B-0113-12CRBJSW

Item No.

Travelers Rest, SC: 800-476-4103 • Simi Valley, CA: 800-423-0150 • Fax: 864-834-3518 • www.tsbrass.com

This Space for Architect/Engineer Approval

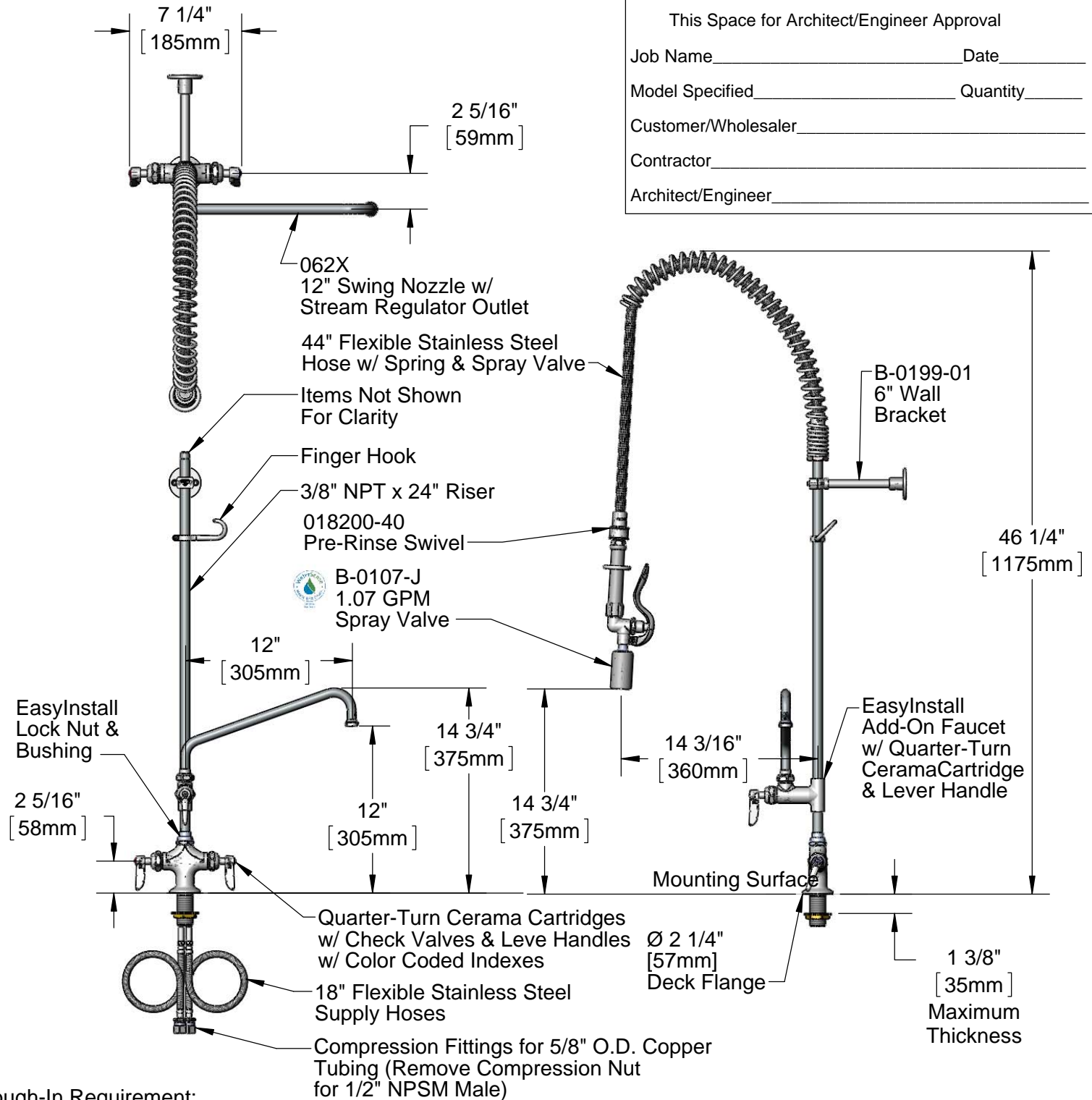
Job Name _____ Date _____

Model Specified _____ Quantity _____

Customer/Wholesaler _____

Contractor _____

Architect/Engineer _____



Rough-In Requirement:
Ø 1 1/2" [38mm] Mounting Hole

Product Specifications:

EasyInstall Pre-Rinse Unit:
Single Hole Deck Mount Mixing Faucet, Quarter-Turn Cerama Cartridges w/
Check Valves, Lever Handles, Add-On Faucet w/ 12" Swing Nozzle, 24" Riser,
44" Flexible Stainless Steel Hose, 1.07 GPM Spray Valve, Flexible Supply
Hoses, Pre-Rinse Swivel & 6" Wall Bracket

Product Compliance:

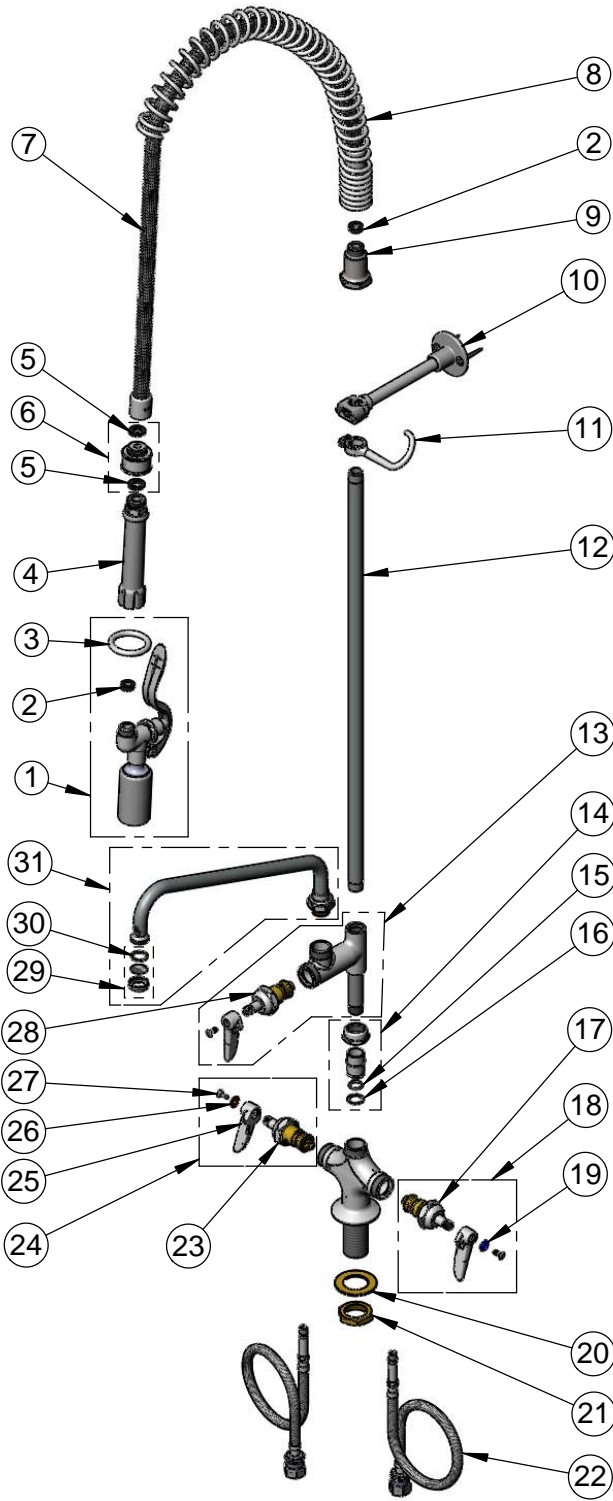
ASME A112.18.1 / CSA B125.1
NSF 61 - Section 9
NSF 372 (Low Lead Content)
EPA Act 2005 (PRSV)
EPA WaterSense (PRSV)



T&S BRASS AND BRONZE WORKS, INC.
 2 Saddleback Cove / P.O. Box 1088
 Travelers Rest, SC 29690

Model No.
B-0113-12CRBJSW
 Item No.

Travelers Rest, SC: 800-476-4103 • Simi Valley, CA: 800-423-0150 • Fax: 864-834-3518 • www.tsbrass.com



ITEM NO.	SALES NO.	DESCRIPTION
1	B-0107-J	1.07 GPM Spray Valve
2	010476-45	#27 Washer
3	000907-45	Spray Valve Hold Down Ring
4	002987-40	Grip Handle
5	001014-45	Washer, B-0100 Hose Barrel
6	018200-40	Pre-Rinse Swivel
7	B-0044-H2A	44" Flexible Stainless Steel Hose, Less Handle
8	000888-45	EasyInstall Overhead Spring
9	000821-40	Spring Body
10	B-0109-01	6" Wall Bracket
11	004R	Finger Hook
12	000372-40	3/8" NPT x 24" Riser
13	B-0155-CR-LN	Add-On Faucet, Less Nozzle
14	EZ-K	EasyInstall Kit: Nut, Bushing, O-ring & Lock Washer
15	001065-45	O-Ring
16	014200-45	Star Washer, Anti-Rotation
17	012395-25	Quarter-Turn Cerama Cartridge, LTC w/ Check Valve
18	012447-25	Quarter-Turn Cerama Cartridge, LTC w/ Check Valve, Handle, Index & Screw
19	001660-45	Blue Index-CW
20	002290-45	Lock Washer
21	000965-45	Lock Nut
22	012534-45	18" Flexible Supply Hose (2)
23	012394-25	Quarter-Turn Cerama Cartridge, RTC w/ Check Valve
24	012446-25	Quarter-Turn Cerama Cartridge, RTC w/ Check Valve, Handle, Index & Screw
25	001638-45	Lever Handle
26	001661-45	Red Index-HW
27	000922-45	Lever Handle Screw
28	011278-25	Quarter-Turn Cerama Cartridge, RTC
29	B-PT	Stream Regulator Outlet
30	001048-45	Nozzle Tip Washer
31	062X	12" Swing Nozzle

Product Specifications:

EasyInstall Pre-Rinse Unit:
 Single Hole Deck Mount Mixing Faucet, Quarter-Turn Cerama Cartridges w/
 Check Valves, Lever Handles, Add-On Faucet w/ 12" Swing Nozzle, 24" Riser,
 44" Flexible Stainless Steel Hose, 1.07 GPM Spray Valve, Flexible Supply
 Hoses, Pre-Rinse Swivel & 6" Wall Bracket

Product Compliance:

ASME A112.18.1 / CSA B125.1
 NSF 61 - Section 9
 NSF 372 (Low Lead Content)
 EPA Act 2005 (PRSV)
 EPA WaterSense (PRSV)