



T&S BRASS AND BRONZE WORKS, INC.
 2 Saddleback Cove / P.O. Box 1088
 Travelers Rest, SC 29690

Model No.
B-0113-12CRBJST

Item No.

Travelers Rest, SC: 800-476-4103 • Simi Valley, CA: 800-423-0150 • Fax: 864-834-3518 • www.tsbrass.com

This Space for Architect/Engineer Approval

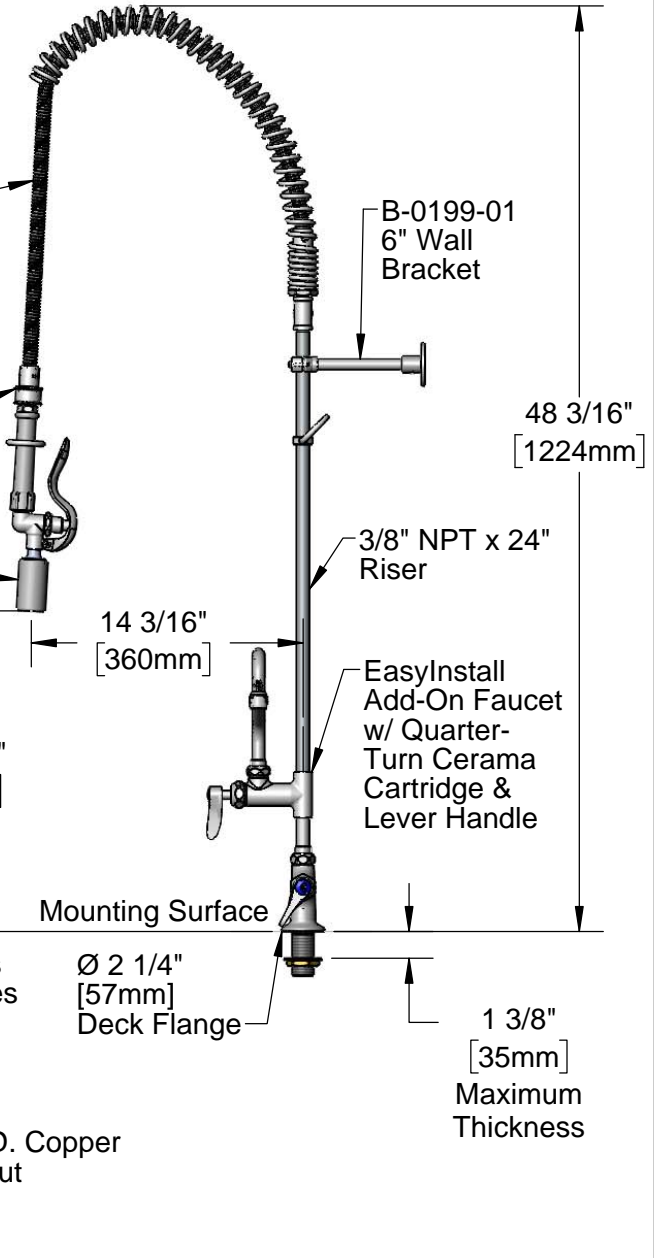
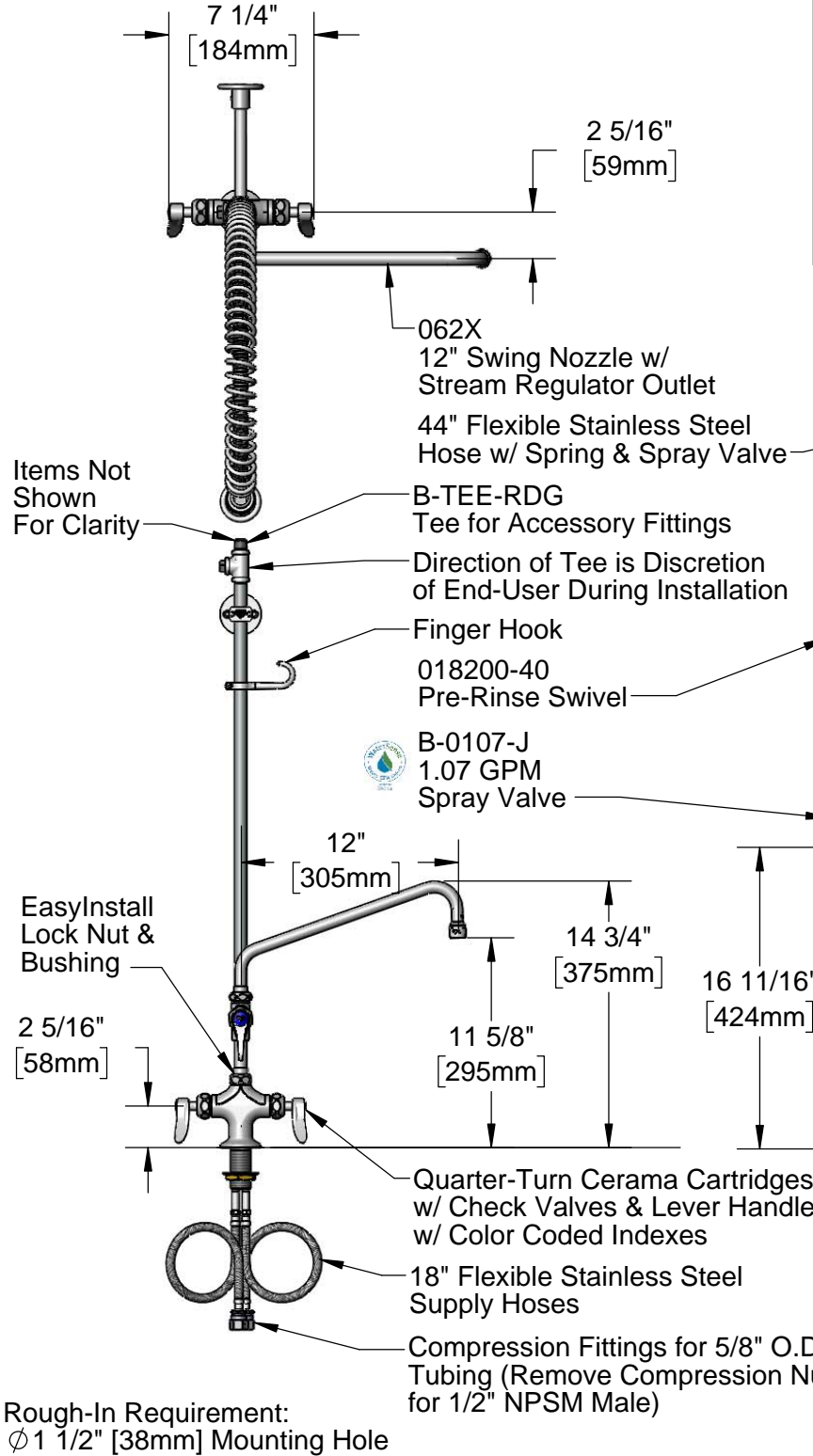
Job Name _____ Date _____

Model Specified _____ Quantity _____

Customer/Wholesaler _____

Contractor _____

Architect/Engineer _____



Rough-In Requirement:
 Ø 1 1/2" [38mm] Mounting Hole

Product Specifications:
 EasyInstall Pre-Rinse Unit: Single Hole Deck Mount Mixing Faucet,
 Quarter-Turn Cerama Cartridges w/ Check Valves, Lever Handles,
 Add-On Faucet w/ 12" Swing Nozzle, 24" Riser, 44" Flexible Stainless
 Steel Hose, 1.07 GPM Spray Valve, Flexible Supply Hoses, Pre-Rinse
 Swivel, Accessory Fitting & 6" Wall Bracket

Product Compliance:
 ASME A112.18.1 / CSA B125.1
 NSF 61 - Section 9
 NSF 372 (Low Lead Content)
 EPA Act 2005 (PRSV)
 EPA WaterSense (PRSV)



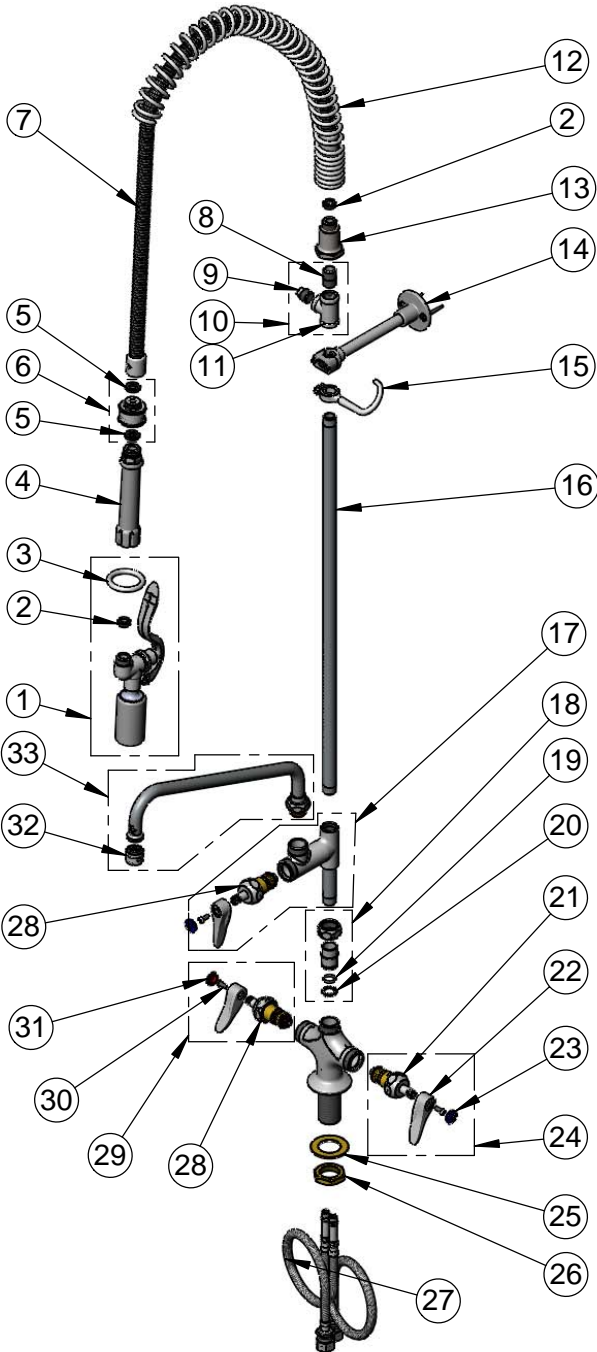
T&S BRASS AND BRONZE WORKS, INC.

2 Saddleback Cove / P.O. Box 1088
Travelers Rest, SC 29690

Model No.
B-0113-12CRBJST

Item No.

Travelers Rest, SC: 800-476-4103 • Simi Valley, CA: 800-423-0150 • Fax: 864-834-3518 • www.tsbrass.com



ITEM NO.	SALES NO.	DESCRIPTION
1	B-0107-J	1.07 GPM Spray Valve
2	010476-45	#27 Washer
3	000907-45	Spray Valve Hold Down Ring
4	002987-40	Grip Handle
5	001014-45	Washer, B-0100 Hose Barrel
6	018200-40	Pre-Rinse Swivel
7	B-0044-H2A	44" Flexible Stainless Steel Hose, Less Handle
8	002535-25	3/8" NPT Close Nipple
9	002369-25	3/8" NPT Plug
10	B-TEE-RGD	Rigid Tee
11	001614-40	3/8" NPT Tee
12	000888-45	EasyInstall Overhead Spring
13	000821-40	Spring Body
14	B-0109-01	B-109 Wall Bracket Body
15	004R	Finger Hook
16	000372-40	3/8" NPT x 24" Riser
17	B-0155-CR-LN	Add-On Faucet, Less Nozzle
18	EZ-K	EasyInstall Kit: Nut, Bushing, O-ring & Lock Washer
19	001065-45	O-ring
20	014200-45	Star Washer, Anti-Rotation
21	012395-25NS	Quarter-Turn Cerama Cartridge w/ Check Valve, LTC
22	001638-45NS	Lever Handle (New Style)
23	018506-19NS	Blue Button Index, Press-in
24	012447-25NS	Quarter-Turn Cerama Cartridge w/ Check Valve, Handle, Blue Index & Screw, LTC
25	002290-45	Lock Washer
26	000965-45	Lock Nut
27	012534-45	18" Flexible Supply Hose (2)
28	012394-25NS	Quarter-Turn Cerama Cartridge w/ Check Valve, RTC
29	012446-25NS	Quarter-Turn Cerama Cartridge w/ Check Valve, Handle, Red Index & Screw, RTC
30	000925-45	Lab Handle Screw
31	001193-19NS	Red Button Index, Press-in
32	B-PT	Stream Regulator Outlet
33	062X	12" Swing Nozzle

Product Specifications:
EasyInstall Pre-Rinse Unit: Single Hole Deck Mount Mixing Faucet, Quarter-Turn Cerama Cartridges w/ Check Valves, Lever Handles, Add-On Faucet w/ 12" Swing Nozzle, 24" Riser, 44" Flexible Stainless Steel Hose, 1.07 GPM Spray Valve, Flexible Supply Hoses, Pre-Rinse Swivel, Accessory Fitting & 6" Wall Bracket

Product Compliance:
ASME A112.18.1 / CSA B125.1
NSF 61 - Section 9
NSF 372 (Low Lead Content)
EPA Act 2005 (PRSV)
EPA WaterSense (PRSV)