



# T&S BRASS AND BRONZE WORKS, INC.

2 Saddleback Cove / P.O. Box 1088  
Travelers Rest, SC 29690

Model No.

**B-0113-12-CRVB**

Item No.

Travelers Rest, SC: 800-476-4103 • Simi Valley, CA: 800-423-0150 • Fax: 864-834-3518 • www.tsbrass.com

This Space for Architect/Engineer Approval

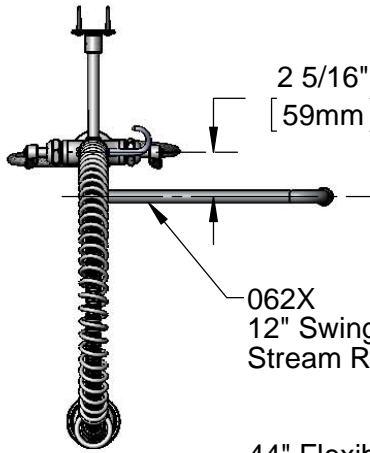
Job Name \_\_\_\_\_ Date \_\_\_\_\_

Model Specified \_\_\_\_\_ Quantity \_\_\_\_\_

Customer/Wholesaler \_\_\_\_\_

Contractor \_\_\_\_\_

Architect/Engineer \_\_\_\_\_



2 5/16"  
[59mm]

062X  
12" Swing Nozzle w/  
Stream Regulator Outlet

44" Flexible Stainless Steel  
Hose w/ Overhead Spring  
& Spray Valve

Items Not Shown  
For Clarity

Finger Hook

3/8" NPT x 20" Riser

B-0107  
Spray Valve  
1.42 GPM

B-0109-01  
6" Wall  
Bracket

46"  
[1168mm]

14 1/16"  
[357mm]

EasyInstall  
Add-On Faucet  
w/ Quarter-Turn  
Cerama  
Cartridge &  
Lever Handle

B-0970-FEZ  
Vacuum  
Breaker

18 5/16"  
[465mm]

15 11/16"  
[398mm]

16 1/4"  
[370mm]

Quarter-Turn Cerama Cartridges  
w/ Check Valves & Lever Handles  
w/ Color Coded Indexes

Ø 2 1/4"  
[57mm]

1 1/4"  
[32mm]  
Maximum  
Thickness

18" Flexible Stainless Steel  
Supply Hoses

Compression Fittings for 5/8" O.D. Copper  
Tubing (Remove Compression Nut  
for 1/2" NPSM Male)

Rough-In Requirement:  
Ø 1 1/2" [Ø 38mm] Mounting Hole

**Product Specifications:**

EasyInstall Pre-Rinse Unit: Single Hole Deck Mount Faucet, Quarter-Turn Cerama Cartridges w/ Check Valves, Lever Handles, Add-On Faucet w/ 12" Swing Nozzle, 20" Riser, 44" Flexible Stainless Steel Hose, 1.42 GPM Spray Valve, Flexible Supply Hoses, Vacuum Breaker and 6" Wall Bracket

**Product Compliance:**

ASME A112.18.1 / CSA B125.1  
NSF 61 - Section 9  
NSF 372 (Low Lead Content)  
EPA Act 2005 (PRSV)  
CSA B64.8 (VB)



# T&S BRASS AND BRONZE WORKS, INC.

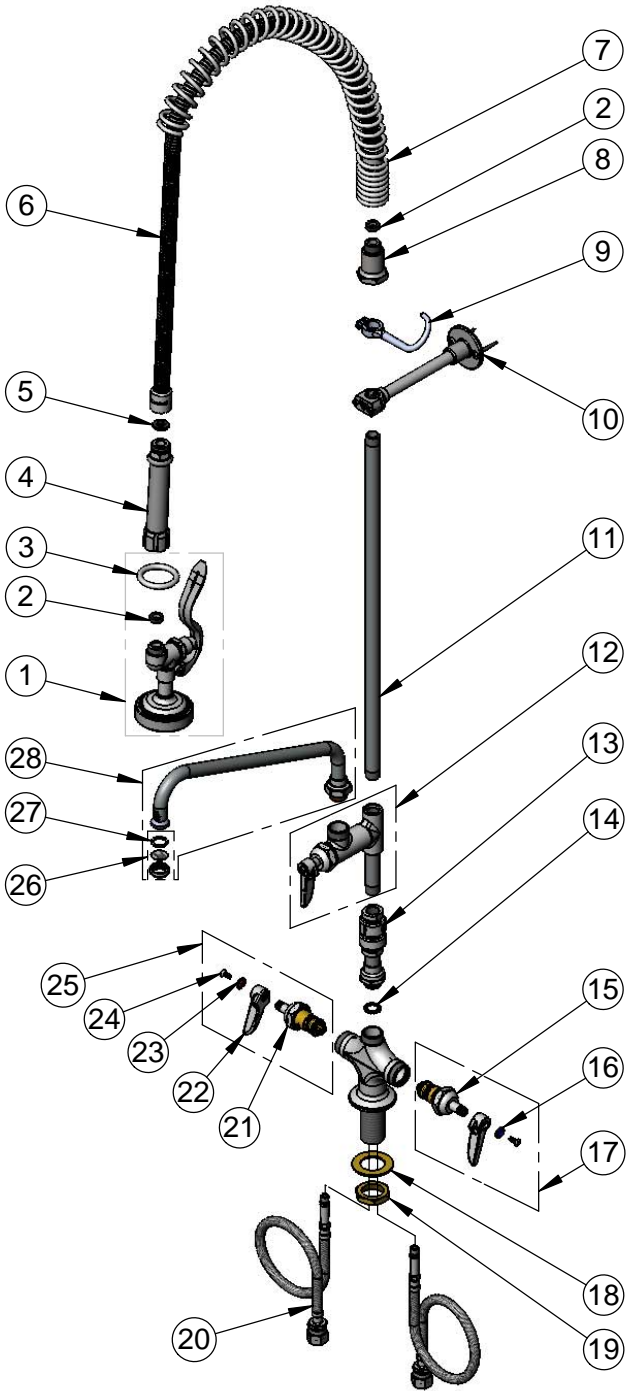
2 Saddleback Cove / P.O. Box 1088  
Travelers Rest, SC 29690

Model No.

**B-0113-12-CRVB**

Item No.

Travelers Rest, SC: 800-476-4103 • Simi Valley, CA: 800-423-0150 • Fax: 864-834-3518 • www.tsbrass.com



ITEM NO.	SALES NO.	DESCRIPTION
1	B-0107	1.42 GPM Spray Valve
2	010476-45	#27 Washer
3	000907-45	Spray Valve Hold Down Ring
4	002987-40	Grey Handle Grip
5	001014-45	Washer, B-0100 Hose Barrel
6	B-0044-H2A	44" Flexible Stainless Steel Hose, Less Handle
7	000888-45	EasyInstall Overhead Spring
8	000821-40	Spring Body
9	004R	Finger Hook
10	B-0109-01	6" Wall Bracket
11	000370-40	3/8" NPT x 20" Riser
12	B-0155-CR-LN	Add-On Faucet w/ Cerama, Less Nozzle
13	B-0970-FEZ	EasyInstall 3/4" NPT Vacuum Breaker
14	014200-45	Star Washer, Anti-Rotation
15	012395-25	Quarter-Turn Cerama Cartridge, LTC w/ Check Valve
16	001660-45	Blue Index-CW
17	012447-25	Quarter-Turn Cerama Cartridge, LTC w/ Check Valve, Handle, Index & Screw
18	002290-45	Lock Washer
19	000965-45	Lock Nut
20	012534-45	18" Flexible Supply Hose (2)
21	012394-25	Quarter-Turn Cerama Cartridge, RTC w/ Check Valve
22	001638-45	Lever Handle
23	001661-45	Red Index-HW
24	000922-45	Lever Handle Screw
25	012446-25	Quarter-Turn Cerama Cartridge, RTC w/ Check Valve, Handle, Index & Screw
26	B-PT	Stream Regulator Outlet
27	001048-45	Nozzle Tip Washer
28	062X	12" Swing Nozzle

**Product Specifications:**

EasyInstall Pre-Rinse Unit: Single Hole Deck Mount Faucet, Quarter-Turn Cerama Cartridges w/ Check Valves, Lever Handles, Add-On Faucet w/ 12" Swing Nozzle, 20" Riser, 44" Flexible Stainless Steel Hose, 1.42 GPM Spray Valve, Flexible Supply Hoses, Vacuum Breaker and 6" Wall Bracket

**Product Compliance:**

ASME A112.18.1 / CSA B125.1  
NSF 61 - Section 9  
NSF 372 (Low Lead Content)  
EPA Act 2005 (PRSV)  
CSA B64.8 (VB)