



T&S BRASS AND BRONZE WORKS, INC.

2 Saddleback Cove / P.O. Box 1088
Travelers Rest, SC 29690

Model No.

B-0111-R

Item No.

Travelers Rest, SC: 800-476-4103 • Simi Valley, CA: 800-423-0150 • Fax: 864-834-3518 • www.tsbrass.com

This Space for Architect/Engineer Approval

Job Name _____ Date _____

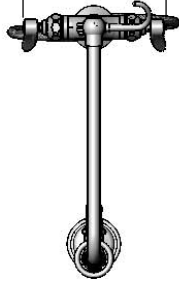
Model Specified _____ Quantity _____

Customer/Wholesaler _____

Contractor _____

Architect/Engineer _____

7 7/16"
[189mm]



Items Not Shown For Clarity

3/8" NPT x 32" Riser

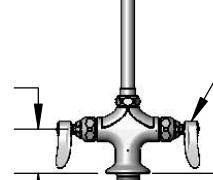
Finger Hook

20" Rubber Hose
w/ Spray Valve

B-0107
1.42 GPM
Spray Valve

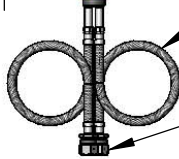
Quarter-Turn
Eterna Cartridges w/
Spring Checks &
Lever Handles w/
Color Coded Indexes

2 5/16"
[58mm]

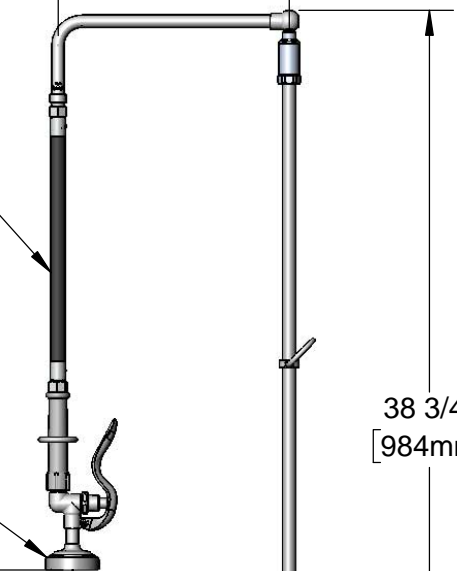


18" Flexible Stainless
Steel Supply Hoses

Compression Fittings
For 5/8" O.D. Copper Tubing
(Remove Compression Nut
For 1/2" NPSM Male Thread)



12"
[305mm]



38 3/4"
[984mm]

9 5/8"
[244mm]

Mounting
Surface

11 5/16"
[287mm]

1 3/8"
[35mm]
Maximum
Thickness

Ø 2 1/4"
[57mm]
Flange

Rough-In Requirement:
Ø 1 1/2" [38mm] Mounting Hole

Product Specifications:

Pre-Rinse Unit: Single Hole Deck Mount Mixing Faucet, Quarter-Turn Eterna Cartridges w/ Spring Checks, Lever Handles, 12" L-Tube, 20" Flexible Rubber Hose, 1.42 GPM Spray Valve & Flexible Stainless Steel Supply Hoses

Product Compliance:

ASME A112.18.1 / CSA B125.1
NSF 61 - Section 9
NSF 372 (Low Lead Content)
EPA Act 2005 (PRSV)



T&S BRASS AND BRONZE WORKS, INC.

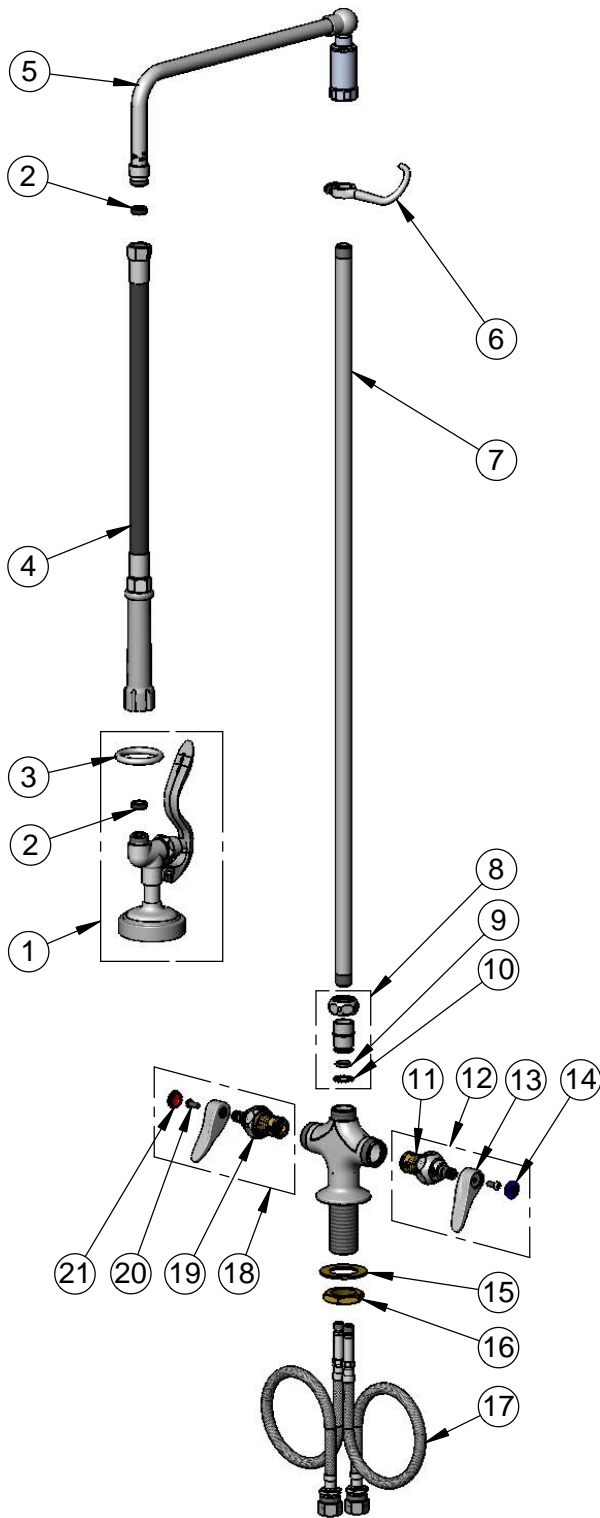
2 Saddleback Cove / P.O. Box 1088
Travelers Rest, SC 29690

Model No.

B-0111-R

Item No.

Travelers Rest, SC: 800-476-4103 • Simi Valley, CA: 800-423-0150 • Fax: 864-834-3518 • www.tsbrass.com



ITEM NO.	SALES NO.	DESCRIPTION
1	B-0107	1.42 GPM Spray Valve
2	010476-45	#27 Washer
3	000907-45	Spray Valve Hold Down Ring
4	B-0020-R	20" Reinforced PVC Hose w/ Handle
5	002882-40	12" Swivel L-Tube
6	004R	Finger Hook
7	000376-40	3/8" NPT x 32" Riser
8	EZ-K	EasyInstall Kit
9	001065-45	O-Ring
10	014200-45	Star Washer, Anti-Rotation
11	012442-40NS	Quarter-Turn Eterna Cartridge w/ Spring Check, LTC
12	002711-40NS	Quarter-Turn Eterna Cartridge w/ Spring Check, Handle, Blue Index & Screw, LTC
13	001638-45NS	Lever Handle (New Style)
14	018506-19NS	Blue Button Index, Press-in
15	002290-45	Lock Washer
16	000965-45	Lock Nut
17	012534-45	18" Flexible Supply Hose (2)
18	002712-40NS	Quarter-Turn Eterna Cartridge w/ Spring Check, Handle, Red Index & Screw, RTC
19	012443-40NS	Quarter-Turn Eterna Cartridge w/ Spring Check, RTC
20	000925-45	Lab Handle Screw
21	001193-19NS	Red Button Index, Press-in

Product Specifications:

Pre-Rinse Unit: Single Hole Deck Mount Mixing Faucet, Quarter-Turn Eterna Cartridges w/ Spring Checks, Lever Handles, 12" L-Tube, 20" Flexible Rubber Hose, 1.42 GPM Spray Valve & Flexible Stainless Steel Supply Hoses

Product Compliance:

ASME A112.18.1 / CSA B125.1
NSF 61 - Section 9
NSF 372 (Low Lead Content)
EPA Act 2005 (PRSV)