



T&S BRASS AND BRONZE WORKS, INC.

2 Saddleback Cove / P.O. Box 1088
Travelers Rest, SC 29690

Model No.

B-0111-BR

Item No.

Travelers Rest, SC: 800-476-4103 • Simi Valley, CA: 800-423-0150 • Fax: 864-834-3518 • www.tsbrass.com

This Space for Architect/Engineer Approval

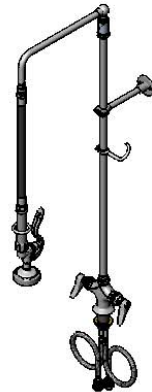
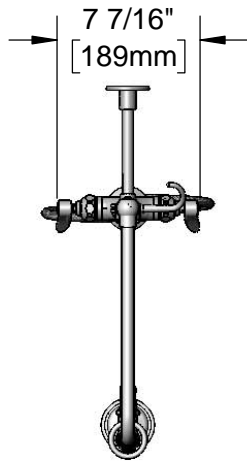
Job Name _____ Date _____

Model Specified _____ Quantity _____

Customer/Wholesaler _____

Contractor _____

Architect/Engineer _____



Items Not Shown For Clarity

3/8" NPT x 32" Riser

Finger Hook

EasyInstall
Lock Nut &
Bushing

2 5/16"
[58mm]

Quarter-Turn
Eterna Cartridges w/
Spring Checks &
Lever Handles w/
Color Coded Indexes

18" Flexible Stainless
Steel Supply Hoses

Compression Fittings
For 5/8" O.D. Copper Tubing
(Remove Compression Nut
For 1/2" NPSM Male Thread)

20" Rubber Hose
w/ Spray Valve

B-0107
1.42 GPM
Spray Valve

B-0109-01
6" Wall
Bracket

9 5/8"
[244mm]

11 5/16"
[287mm]

Mounting
Surface

1 3/8"
[35mm]
Maximum
Thickness

38 3/4"
[984mm]

Ø 2 1/4"
[57mm]
Flange

Rough-In Requirement:
Ø 1 1/2" [38mm] Mounting Hole

Product Specifications:

Pre-Rinse Unit: Single Hole Deck Mount Mixing Faucet, Quarter-Turn Eterna Cartridges w/ Spring Checks, Lever Handles, 12" L-Tube, 20" Flexible Rubber Hose, 1.42 GPM Spray Valve, 6" Wall Bracket & Flexible Stainless Steel Supply Hoses

Product Compliance:

ASME A112.18.1 / CSA B125.1
NSF 61 - Section 9
NSF 372 (Low Lead Content)
EPA Act 2005 (PRSV)



T&S BRASS AND BRONZE WORKS, INC.

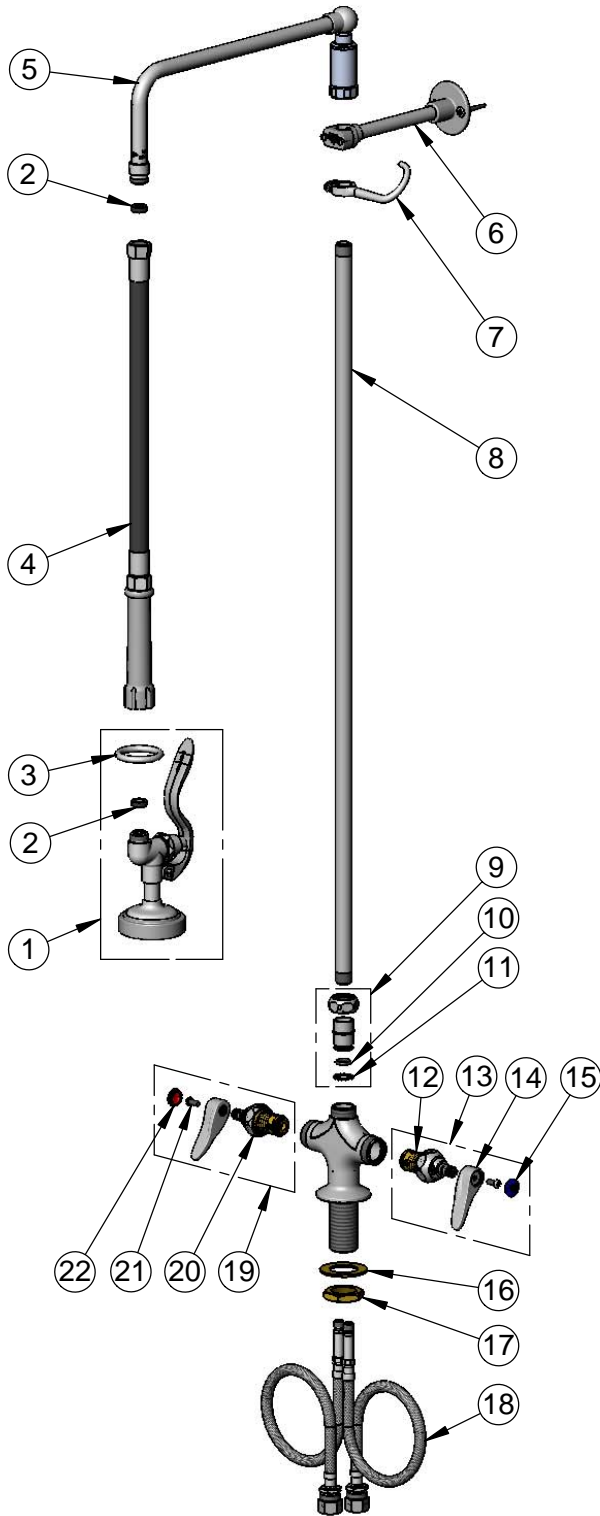
2 Saddleback Cove / P.O. Box 1088
Travelers Rest, SC 29690

Model No.

B-0111-BR

Item No.

Travelers Rest, SC: 800-476-4103 • Simi Valley, CA: 800-423-0150 • Fax: 864-834-3518 • www.tsbrass.com



ITEM NO.	SALES NO.	DESCRIPTION
1	B-0107	1.42 GPM Spray Valve
2	010476-45	#27 Washer
3	000907-45	Spray Valve Hold Down Ring
4	B-0020-R	20" Reinforced PVC Hose w/ Handle
5	002882-40	12" Swivel L-Tube
6	B-0109-01	6" Wall Bracket
7	004R	Finger Hook
8	000376-40	3/8" NPT x 32" Riser
9	EZ-K	EasyInstall Kit
10	001065-45	O-Ring
11	014200-45	Star Washer, Anti-Rotation
12	012442-40NS	Quarter-Turn Eterna Cartridge w/ Spring Check, LTC
13	002711-40NS	Quarter-Turn Eterna Cartridge w/ Spring Check, Handle, Blue Index & Screw, LTC
14	001638-45NS	Lever Handle (New Style)
15	018506-19NS	Blue Button Index, Press-in
16	002290-45	Lock Washer
17	000965-45	Lock Nut
18	012534-45	18" Flexible Supply Hose (2)
19	002712-40NS	Quarter-Turn Eterna Cartridge w/ Spring Check, Handle, Red Index & Screw, RTC
20	012443-40NS	Quarter-Turn Eterna Cartridge w/ Spring Check, RTC
21	000925-45	Lab Handle Screw
22	001193-19NS	Red Button Index, Press-in

Product Specifications:

Pre-Rinse Unit: Single Hole Deck Mount Mixing Faucet, Quarter-Turn Eterna Cartridges w/ Spring Checks, Lever Handles, 12" L-Tube, 20" Flexible Rubber Hose, 1.42 GPM Spray Valve, 6" Wall Bracket & Flexible Stainless Steel Supply Hoses

Product Compliance:

ASME A112.18.1 / CSA B125.1
NSF 61 - Section 9
NSF 372 (Low Lead Content)
EPA Act 2005 (PRSV)