



T&S BRASS AND BRONZE WORKS, INC.

2 Saddleback Cove / P.O. Box 1088
Travelers Rest, SC 29690

Model No.

B-0111-02

Item No.

Travelers Rest, SC: 800-476-4103 • Simi Valley, CA: 800-423-0150 • Fax: 864-834-3518 • www.tsbrass.com

This Space for Architect/Engineer Approval

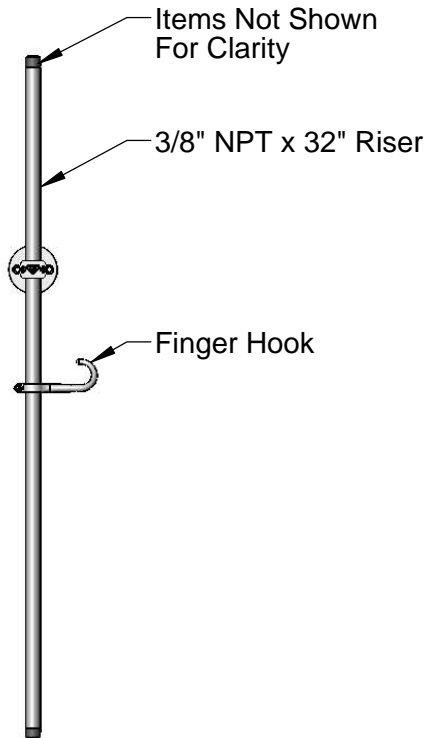
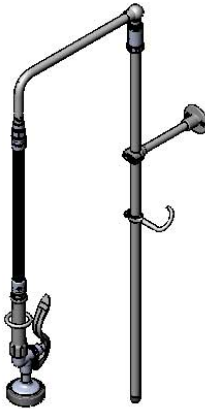
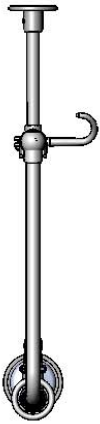
Job Name _____ Date _____

Model Specified _____ Quantity _____

Customer/Wholesaler _____

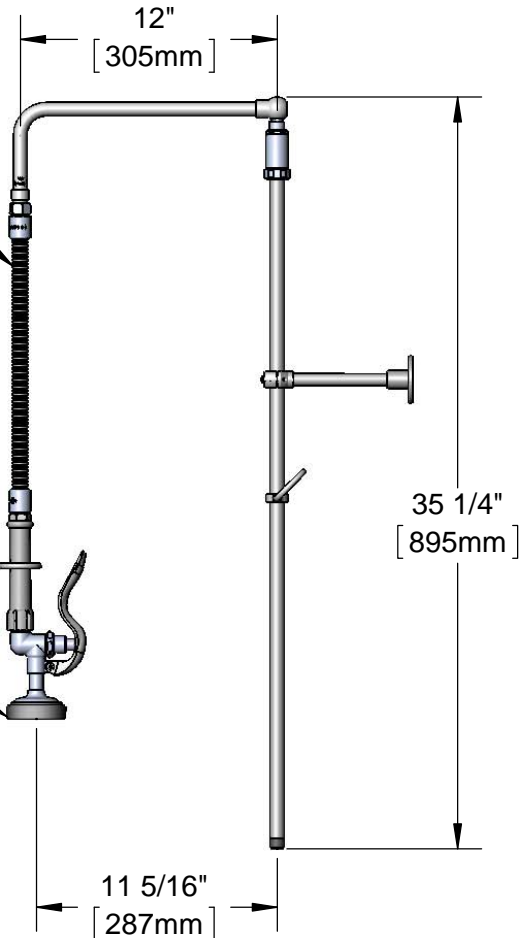
Contractor _____

Architect/Engineer _____



20" Flexible Stainless Steel Hose w/ Spray Valve

B-0107
1.42 GPM
Spray Valve



Product Specifications:

Pre-Rinse Unit: 32" Riser, 12" L-Tube, 20" Flexible Stainless Steel Hose, 1.42 GPM Spray Valve, 6" Wall Bracket and Finger Hook

Product Compliance:

ASME A112.18.1 / CSA B125.1
NSF 61 - Section 9
NSF 372 (Low Lead Content)
EPA Act 2005 (PRSV)

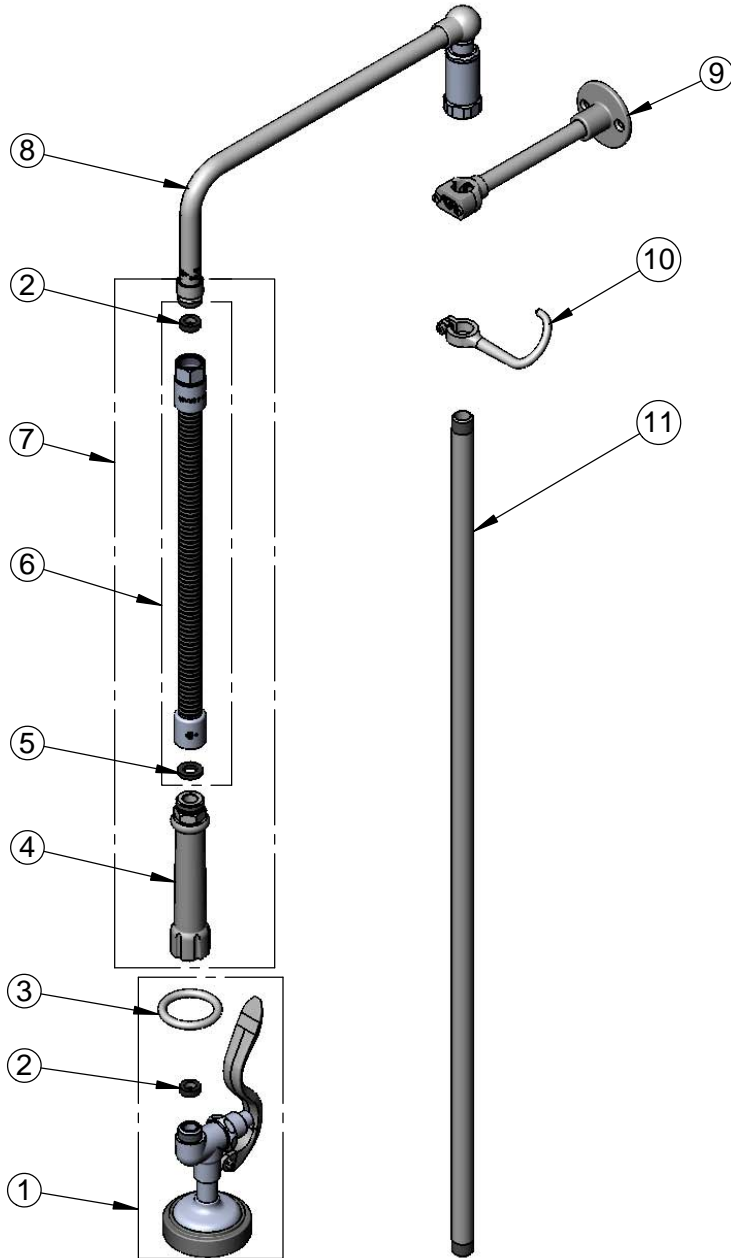


T&S BRASS AND BRONZE WORKS, INC.
 2 Saddleback Cove / P.O. Box 1088
 Travelers Rest, SC 29690

Model No.
B-0111-02

Item No.

Travelers Rest, SC: 800-476-4103 • Simi Valley, CA: 800-423-0150 • Fax: 864-834-3518 • www.tsbrass.com



ITEM NO.	SALES NO.	DESCRIPTION
1	B-0107	1.42 GPM Spray Valve
2	010476-45	#27 Washer
3	000907-45	Spray Valve Hold Down Ring
4	002987-40	Grip Handle
5	001014-45	Washer, B-0100 Hose Barrel
6	B-0020-H2A	20" Flexible Stainless Steel Hose, Less Handle
7	B-0020-H	20" Flexible Stainless Steel Hose
8	002882-40	12" L-Tube
9	B-0109-01	6" Wall Bracket
10	004R	Finger Hook
11	000376-40	3/8" NPT x 32" Riser

Product Specifications:

Pre-Rinse Unit: 32" Riser, 12" L-Tube, 20" Flexible Stainless Steel Hose, 1.42 GPM Spray Valve, 6" Wall Bracket and Finger Hook

Product Compliance:

ASME A112.18.1 / CSA B125.1
 NSF 61 - Section 9
 NSF 372 (Low Lead Content)
 EPA Act 2005 (PRSV)