



**T&S BRASS AND BRONZE WORKS, INC.**  
 2 Saddleback Cove / P.O. Box 1088  
 Travelers Rest, SC 29690

Model No.

**B-0107-J-SWV**

Item No.

Travelers Rest, SC: 800-476-4103 • Simi Valley, CA: 800-423-0150 • Fax: 864-834-3518 • www.tsbrass.com

This Space for Architect/Engineer Approval

Job Name \_\_\_\_\_ Date \_\_\_\_\_

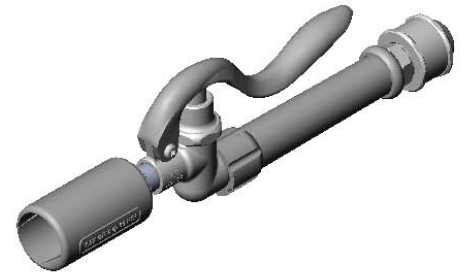
Model Specified \_\_\_\_\_ Quantity \_\_\_\_\_

Customer/Wholesaler \_\_\_\_\_

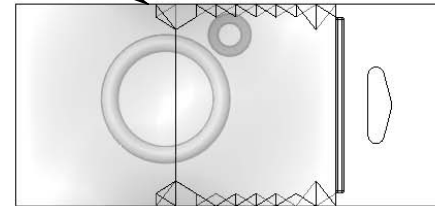
Contractor \_\_\_\_\_

Architect/Engineer \_\_\_\_\_

7/8"-20 UN Male Thread  
 Fits All T&S Pre-Rinse Hoses



Hose Washer &  
 Hold Down Ring  
 (Included)



B-0107-J  
 1.07 GPM Low Flow  
 Spray Valve



Pre-Rinse Swivel

(Pre-Rinse Swivel is Shipped  
 Unattached to Spray Valve.  
 5/16" Hex Wrench Must be Used  
 to Attach Swivel to Hose Before  
 Installing Spray Valve.)

Gray Grip Handle

11 1/2"  
 [292mm]

Product Specifications:  
 Pre-Rinse Unit Accessory:  
 Gray 1.07 GPM Low Flow Spray Valve w/ Pre-Rinse Swivel

Product Compliance:  
 ASME A112.18.1 / CSA B125.1  
 NSF 61 - Section 9  
 NSF 372 (Low Lead Content)  
 EPA Act 2005 (PRSV)  
 EPA WaterSense (PRSV)



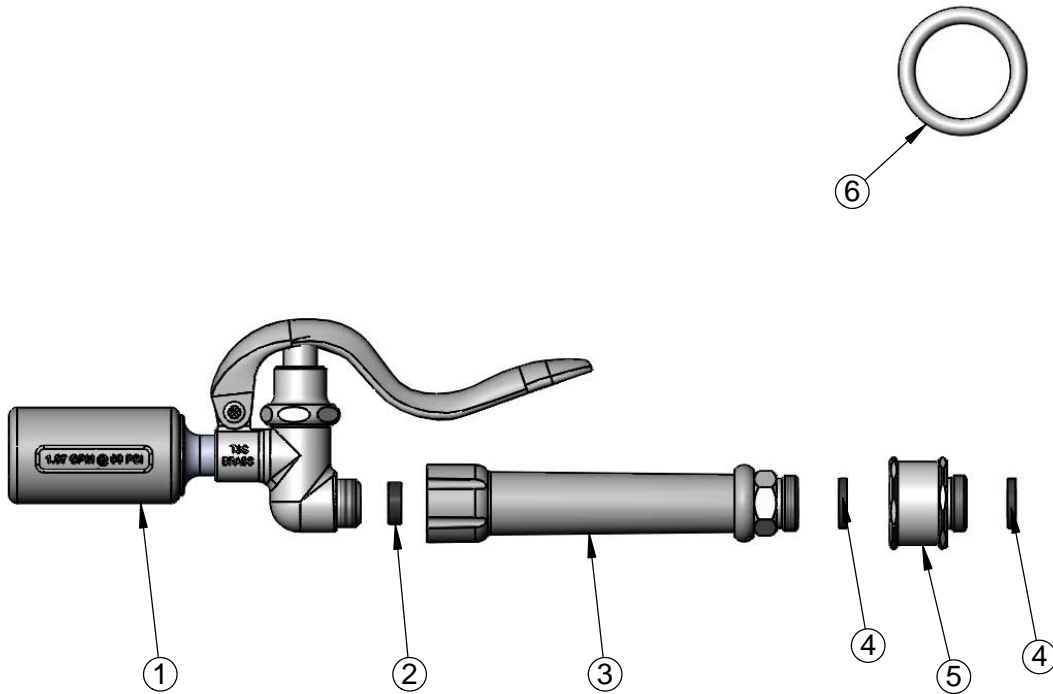
**T&S BRASS AND BRONZE WORKS, INC.**  
 2 Saddleback Cove / P.O. Box 1088  
 Travelers Rest, SC 29690

Model No.  
**B-0107-J-SWV**

Item No.

Travelers Rest, SC: 800-476-4103 • Simi Valley, CA: 800-423-0150 • Fax: 864-834-3518 • www.tsbrass.com

ITEM NO.	SALES NO.	DESCRIPTION
1	B-0107-J	1.07 GPM Spray Valve
2	010476-45	#27 Washer
3	002987-40	Grip Handle
4	001014-45	Washer, B-0100 Hose Barrel
5	018200-40	Pre-Rinse Swivel w/ 2 Washers
6	000907-45	Spray Valve Hold Down Ring



Product Specifications:  
 Pre-Rinse Unit Accessory:  
 Gray 1.07 GPM Low Flow Spray Valve w/ Pre-Rinse Swivel

Product Compliance:  
 ASME A112.18.1 / CSA B125.1  
 NSF 61 - Section 9  
 NSF 372 (Low Lead Content)  
 EPA Act 2005 (PRSV)  
 EPA WaterSense (PRSV)