



T&S BRASS AND BRONZE WORKS, INC.
 2 Saddleback Cove / P.O. Box 1088
 Travelers Rest, SC 29690

Model No.
B-0104-LF

Item No.

Travelers Rest, SC: 800-476-4103 • Simi Valley, CA: 800-423-0150 • Fax: 864-834-3518 • www.tsbrass.com

This Space for Architect/Engineer Approval

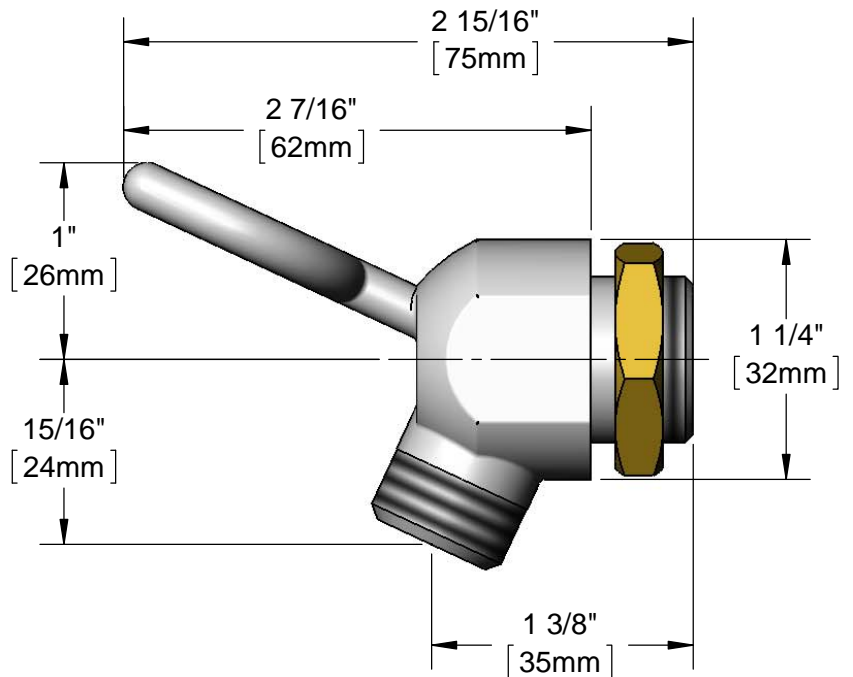
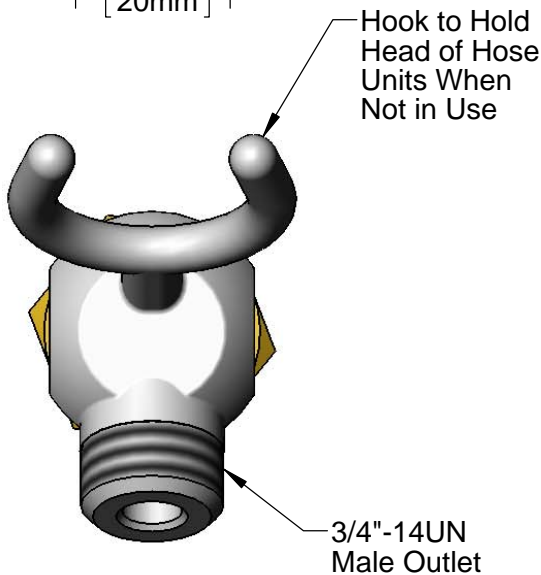
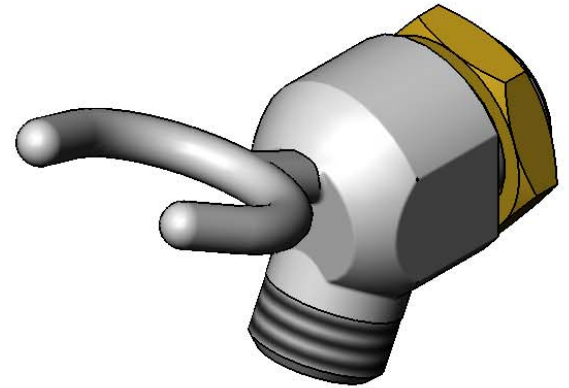
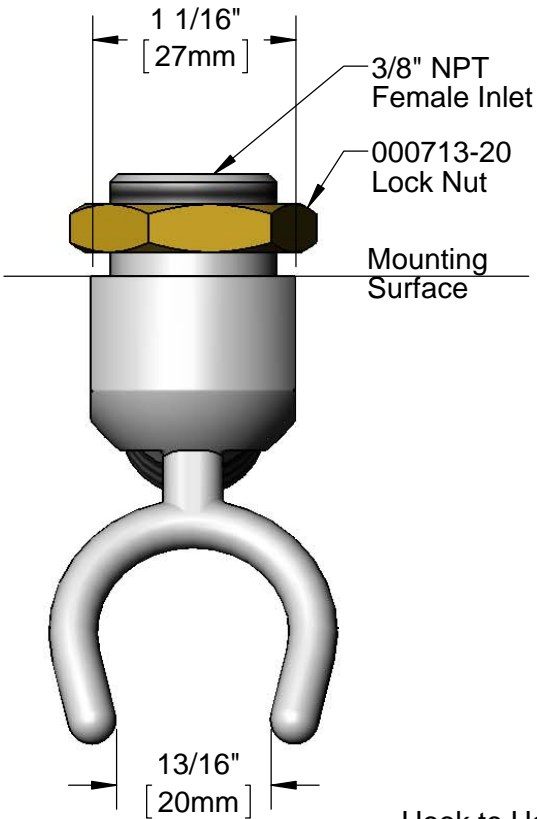
Job Name _____ Date _____

Model Specified _____ Quantity _____

Customer/Wholesaler _____

Contractor _____

Architect/Engineer _____



Rough-In Requirement:
 ∅ 1" [25mm] Mounting Hole

Product Specifications:
 3/4-14UN Wall Hook Outlet, Chrome Polished, Less Flange

Drawn KJG	Checked DHL	Approved JHB
Scale: 1:1		Date: 01/11/13