



T&S BRASS AND BRONZE WORKS, INC.
 2 Saddleback Cove / P.O. Box 1088
 Travelers Rest, SC 29690

Model No.
B-0103-F SERIES

Item No.

Travelers Rest, SC: 800-476-4103 • Simi Valley, CA: 800-423-0150 • Fax: 864-834-3518 • www.tsbrass.com

This Space for Architect/Engineer Approval

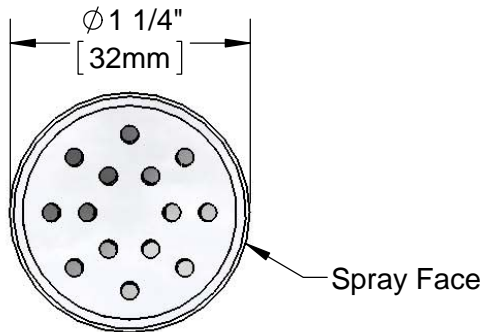
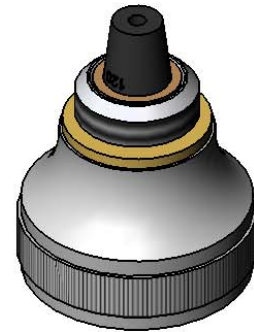
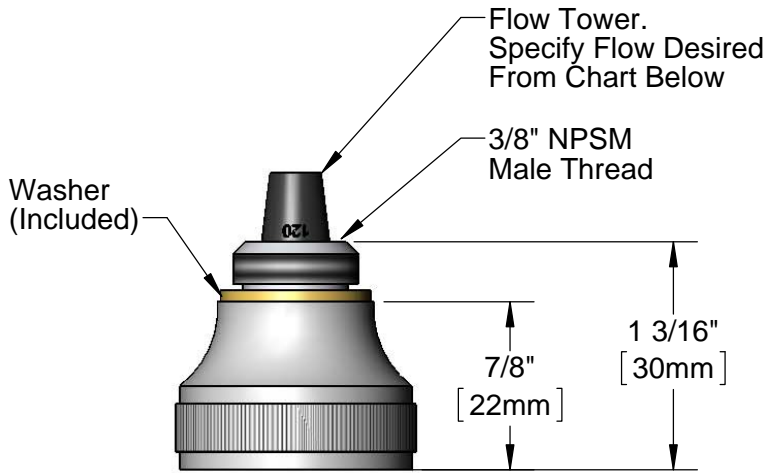
Job Name _____ Date _____

Model Specified _____ Quantity _____

Customer/Wholesaler _____

Contractor _____

Architect/Engineer _____



Flow (gpm ±15%)	Laser Marking	Specify
0.25	025	B-0103-F03
0.4	040	B-0103-F05
0.7	070	B-0103-F07
0.9	090	B-0103-F10
1.2	120	B-0103-F12
1.4	140	B-0103-F15
2.0	200	B-0103-F20

Product Specifications:
 Rosespray w/ Flow Tower & Holder

Drawn: JBC Checked: JRM Approved: JHB Date: 03/08/16

Product Compliance:
 ASME A112.18.1 / CSA B125.1
 NSF 61 - Section 9
 NSF 372 (Low Lead Content)

Scale: 1:1 Sheet: 1 of 1