



# T&S BRASS AND BRONZE WORKS, INC.

2 Saddleback Cove / P.O. Box 1088  
Travelers Rest, SC 29690

Model No.

**B-0100-UNIV**

Item No.

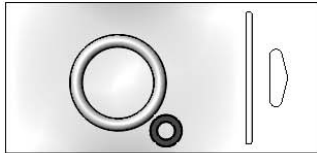
Travelers Rest, SC: 800-476-4103 • Simi Valley, CA: 800-423-0150 • Fax: 864-834-3518 • www.tsbrass.com



053A  
3/8" NPT Male  
Adapter (Included)



172A  
1/4" NPT Male  
Adapter (Included)



Hold Down Ring  
& Washer  
(Included)

This Space for Architect/Engineer Approval

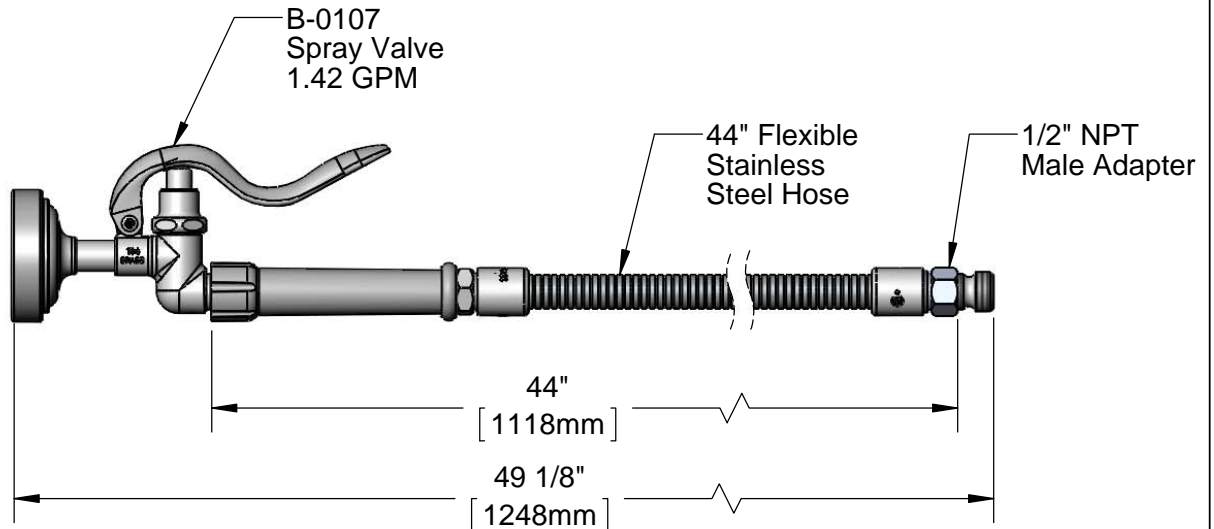
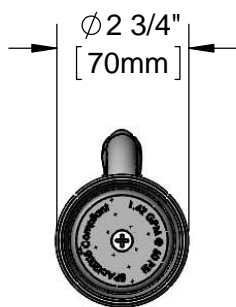
Job Name \_\_\_\_\_ Date \_\_\_\_\_

Model Specified \_\_\_\_\_ Quantity \_\_\_\_\_

Customer/Wholesaler \_\_\_\_\_

Contractor \_\_\_\_\_

Architect/Engineer \_\_\_\_\_



**Product Specifications:**

1.42 GPM Spray Valve w/ 44" Flexible Stainless Steel Hose & Adapters

**Product Compliance:**

ASME A112.18.1 / CSA B125.1  
NSF 61 - Section 9  
NSF 372 (Low Lead Content)



# T&S BRASS AND BRONZE WORKS, INC.

2 Saddleback Cove / P.O. Box 1088  
Travelers Rest, SC 29690

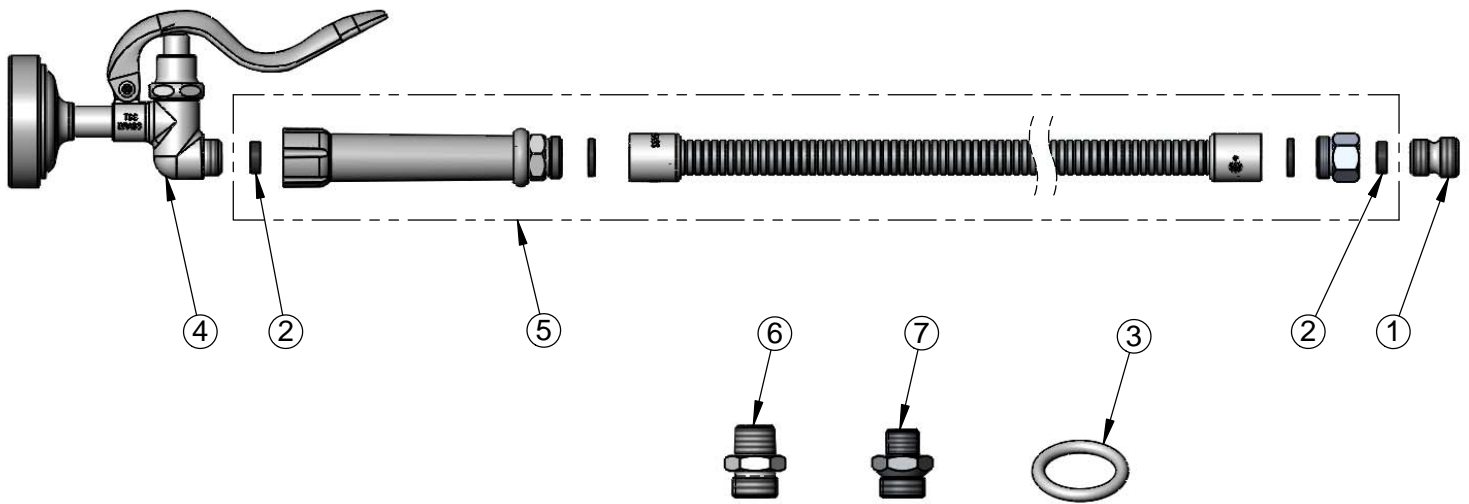
Model No.

**B-0100-UNIV**

Item No.

Travelers Rest, SC: 800-476-4103 • Simi Valley, CA: 800-423-0150 • Fax: 864-834-3518 • www.tsbrass.com

ITEM NO.	SALES NO.	DESCRIPTION
1	055A	Adapter, 1/2 NPT Male
2	010476-45	#27 Washer
3	000907-45	Spray Valve Hold Down Ring
4	B-0107	1.42 GPM Spray Valve
5	B-0044-H	44" Flexible Stainless Steel Hose
6	053A	Adapter, 3/8" NPT Male
7	172A	Adapter, 1/4" NPT Male



**Product Specifications:**

1.42 GPM Spray Valve w/ 44" Flexible Stainless Steel Hose & Adapters

**Product Compliance:**

ASME A112.18.1 / CSA B125.1  
NSF 61 - Section 9  
NSF 372 (Low Lead Content)