



T&S BRASS AND BRONZE WORKS, INC.
 2 Saddleback Cove / P.O. Box 1088
 Travelers Rest, SC 29690

Model No.
B-0100-C-SWV

Item No.

Travelers Rest, SC: 800-476-4103 • Simi Valley, CA: 800-423-0150 • Fax: 864-834-3518 • www.tsbrass.com

This Space for Architect/Engineer Approval

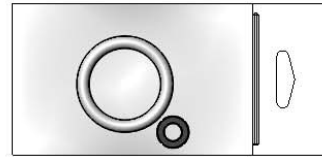
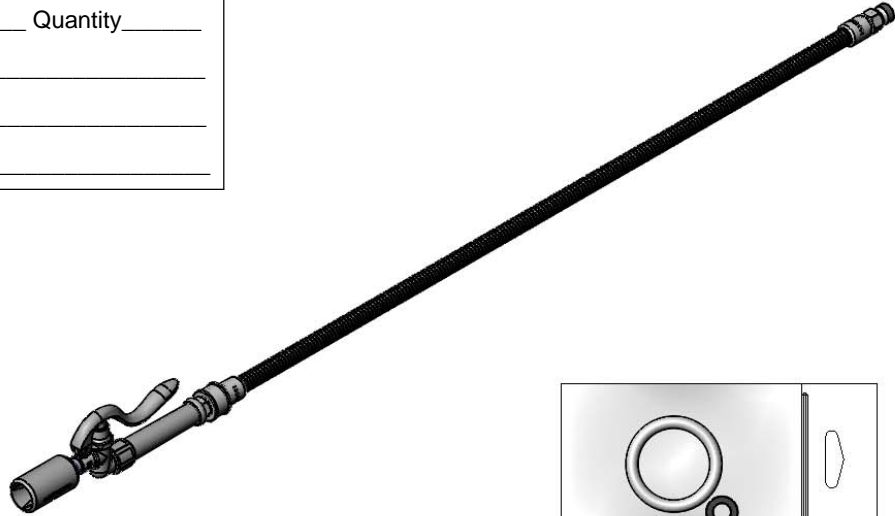
Job Name _____ Date _____

Model Specified _____ Quantity _____

Customer/Wholesaler _____

Contractor _____

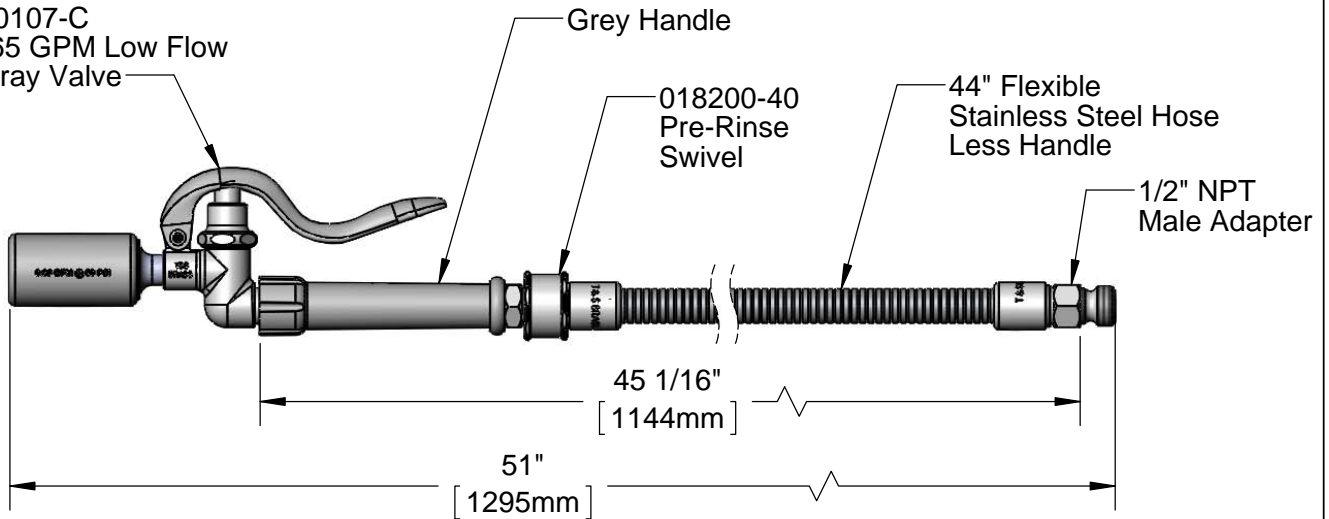
Architect/Engineer _____



Hold Down Ring w/
 Hose Washer
 (Included)



B-0107-C
 0.65 GPM Low Flow
 Spray Valve



Product Specifications:
 Pre-Rinse Unit Accessory
 0.65 GPM Low Flow Spray Valve w/ 44" Flexible Stainless Steel Hose &
 Pre-Rinse Swivel

Product Compliance:
 ASME A112.18.1 / CSA B125.1
 NSF 61 - Section 9
 NSF 372 (Low Lead Content)
 EPA Act 2005 (PRSV)
 EPA WaterSense



T&S BRASS AND BRONZE WORKS, INC.

2 Saddleback Cove / P.O. Box 1088
 Travelers Rest, SC 29690

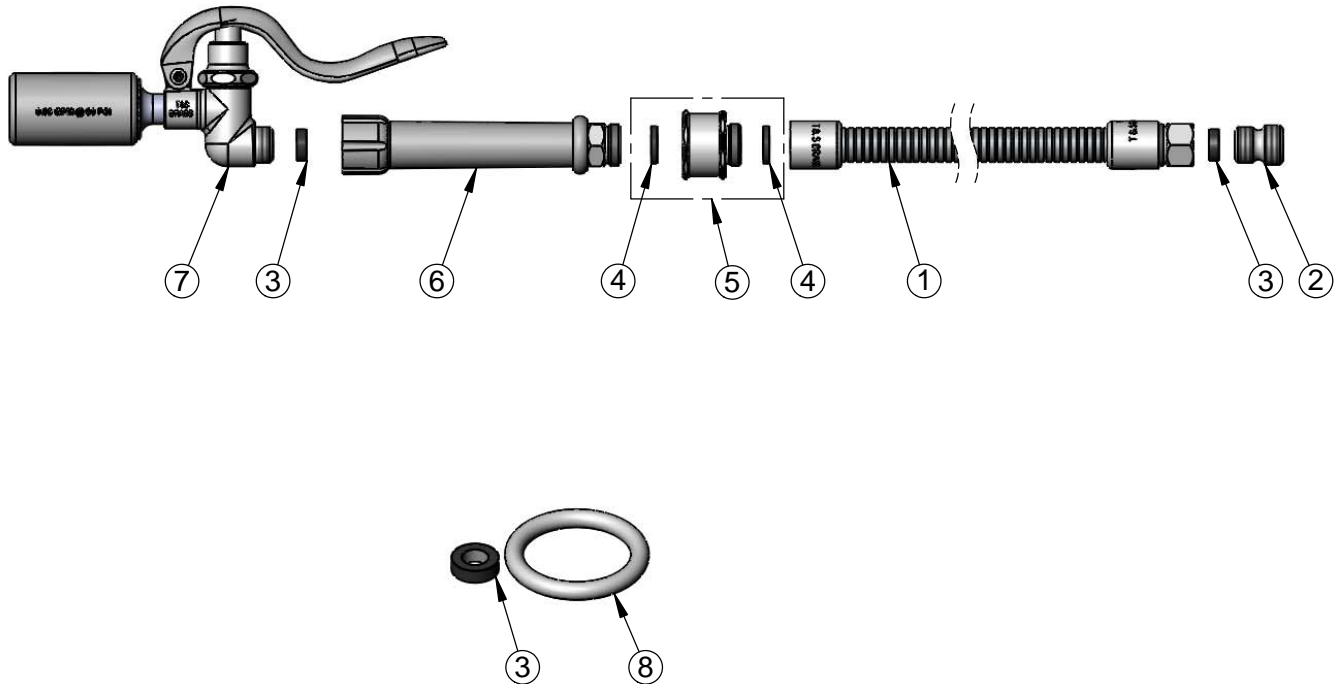
Model No.

B-0100-C-SWV

Item No.

Travelers Rest, SC: 800-476-4103 • Simi Valley, CA: 800-423-0150 • Fax: 864-834-3518 • www.tsbrass.com

ITEM NO.	SALES NO.	DESCRIPTION
1	B-0044-H2A	44" Flexible Stainless Steel Hose
2	055A	Adapter
3	010476-45	#27 Washer
4	001014-45	Washer, B-0100 Hose Barrel
5	018200-40	Pre-Rinse Swivel
6	002987-40	Grey Handle
7	B-0107-C	0.65 GPM Low Flow Spray Valve
8	000907-45	Spray Valve Hold Down Ring



Product Specifications:

Pre-Rinse Unit Accessory
 0.65 GPM Low Flow Spray Valve w/ 44" Flexible Stainless Steel Hose &
 Pre-Rinse Swivel

Product Compliance:

ASME A112.18.1 / CSA B125.1
 NSF 61 - Section 9
 NSF 372 (Low Lead Content)
 EPA Act 2005 (PRSV)
 EPA WaterSense