



**Gas Hoses**  
**HG-4C-48SHP**

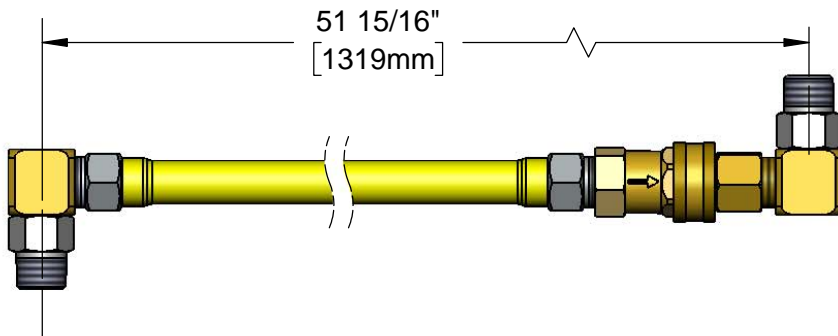
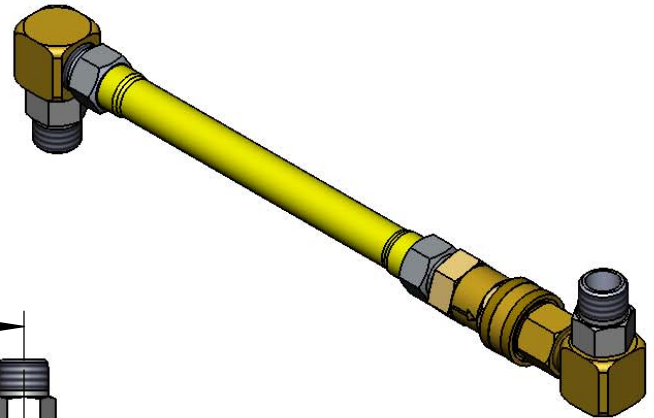
TAG:

SAFETY-LINK Gas Hose

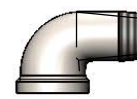
**Architect/Engineering Specifications:**

48" coated gas appliance connector hose with 1/2" NPT male connections, 2-piece quick disconnect, (2) swivel-links fittings, 90° elbow and street elbow. Certified to ANSI Z21.69/CSA 6.16 and NSF 2.

Job Name \_\_\_\_\_  
 Model Specified \_\_\_\_\_ Quantity \_\_\_\_\_  
 Variations Specified \_\_\_\_\_  
 Date \_\_\_\_\_



90° Elbow



Street El



**Features & Benefits:**

- 48" coated gas appliance connector
- 1/2" NPT male freespun inlet
- 1/2" NPT male freespun outlet
- 1/2" NPT female quick-disconnect
- Quick-disconnect socket acts as a shut-off valve when the plug and socket are disconnected
- (2) 1/2" NPT swivel-links fittings
- (1) 1/2" NPT 90° elbow
- (1) 1/2" NPT 90° street elbow
- 360° rotatable hex nut rotates completely and freely
- Optimum torsional relief improves safety, increases connector life
- Provides efficient, full gas flow
- Material: Extruded coated stainless steel braids

**Product Compliance:**

- ANSI Z21.69 / CSA 6.16
- NSF 2
- NFPA 54



**Warranty:** Five Year (Limited)

**Performance Data:**

- Gas Pressure: 1/2 psi max
- Temperature: 350 °F max w/ fuseable link thermal shut-off
- Capacity: 70,000 BTU/ hr min



**T&S BRASS AND BRONZE WORKS, INC.**



• 2 Saddleback Cove • Travelers Rest, SC 29690  
 Ph 800-476-4103 • Fax 864-834-3518  
 • Simi Valley, CA • Ph 800-423-0150 • www.tsbrass.com

Date: 06/23/17