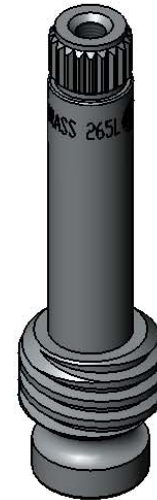
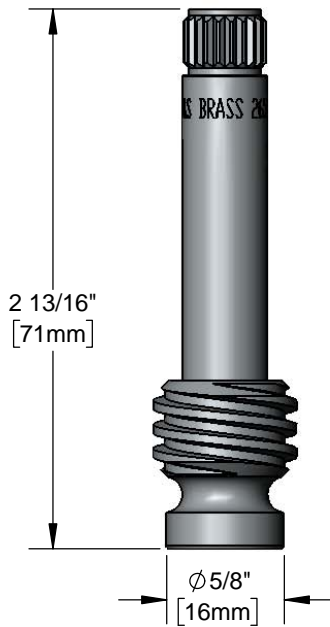




**Architect/Engineering Specifications:**

B-0513 series LTC spindle. Certified to NSF 61-Section 9 and NSF 372.

Job Name	_____
Model Specified	_____ Quantity _____
Variations Specified	_____
Date	_____



**Features & Benefits:**

- B-0513 Series LTC Spindle
- Material: Chrome plated brass

**Product Compliance:**

- NSF 61 - Section 9
- NSF 372 (Low Lead Content)

**Warranty:** One Year (Limited)

**Performance Data:**

- N/A

