



Architect/Engineering Specifications:

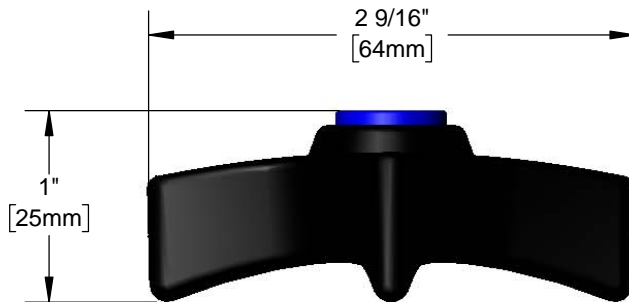
Black polypropylene 4-arm handle with blue index and screw. Fits all standard T&S compression and ceramic cartridges.

Job Name _____

Model Specified _____ Quantity _____

Variations Specified _____

Date _____



Features & Benefits:

- Black polypropylene 4-arm handle
- Blue (CW) snap-in index & screw
- Material: Polypropylene

Product Compliance:

- N/A

Warranty: One Year (Limited)

Performance Data:

- N/A

