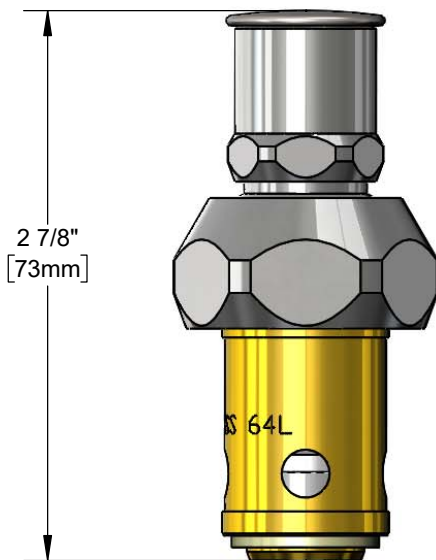




Architect/Engineering Specifications:

Eterna compression cartridge, RTC with spring check, loose key stop with tee handle. Fits all T&S faucets. Certified to ASME A112.18.1 / CSA B125.1, NSF 61-Section 9 and NSF 372.

Job Name \_\_\_\_\_  
 Model Specified \_\_\_\_\_ Quantity \_\_\_\_\_  
 Variations Specified \_\_\_\_\_  
 Date \_\_\_\_\_



Features & Benefits:

- Quarter-turn Eterna compression cartridge with spring check to prevent cross flow of water
- Loose key style shutoff, controlled by the tee handle (included) or screwdriver
- Fits all T&S faucets
- Material: Chrome plated brass

Product Compliance:

- ASME A112.18.1 / CSA B125.1
- NSF 61 - Section 9
- NSF 372 (Low Lead Content)



Warranty: One Year (Limited)



Performance Data:

- Pressure: 20 - 125 psi
- Temperature: 40 °F - 140 °F
- Flow Rate: 11.25 GPM @ 60 psi

