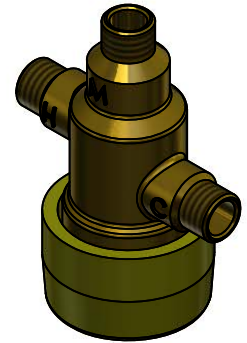
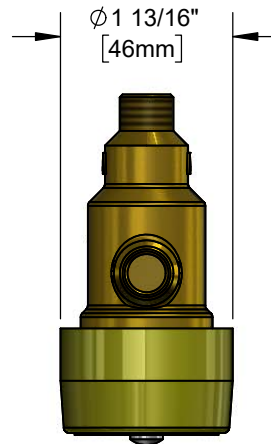
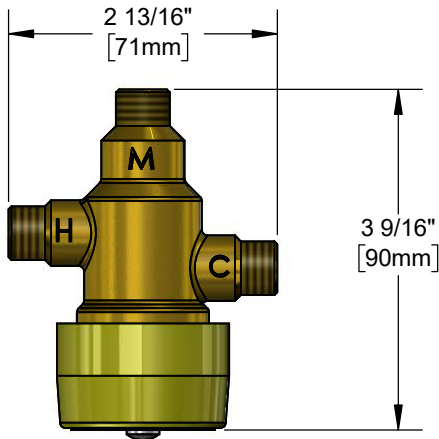




Architect/Engineering Specifications:

Thermostatic mixing valve with bronze body, vandal resistant locking temperature adjustment knob, integral check valves and 9/16-24 UN male connections. NSF 61-Section 9 and NSF 372. Certified to ASSE 1070

Job Name _____
 Model Specified _____ Quantity _____
 Variations Specified _____
 Date _____



Features & Benefits:

- Thermostatic mixing valve with bronze body
- Locking control knob
- Vandal resistant temperature control knob
- Hex key, mounting block and zip tie included
- Crush proof integral check valves
- Single outlet for sensor faucets
- Thermoplastic handle
- 9/16-24 UN male connections
- 3/8" compression connections included
- Material: Lead free bronze body

Product Compliance:

- NSF 61 - Section 9
- NSF 372 (Low Lead Content)
- ASSE 1070 (TMV)



Warranty: One Year (Limited)



Performance Data:

- Pressure: 20 - 125 psi
- Maximum Inlet Temperature: 210 °F
- Outlet Temperature Range: 85 °F - 120 °F
- Minimum Flow Rate: 0.5 GPM

