



Architect/Engineering Specifications:

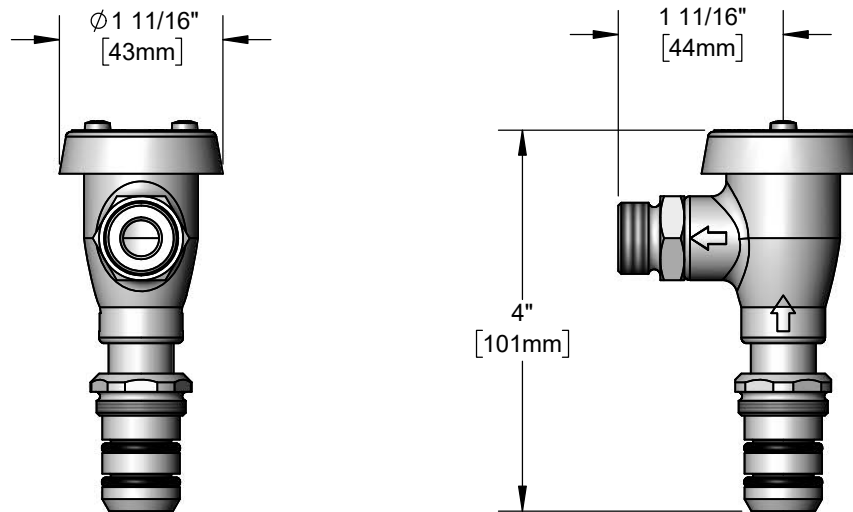
Vacuum breaker, swivel inlet, 3/8" NPSM female outlet and 3/8" male adapter. Certified to ASME A112.18/CSA B125.1, NSF 61-Section 9, NSF 372 and ASSE 1001.

Job Name _____

Model Specified _____ Quantity _____

Variations Specified _____

Date _____



Features & Benefits:

- Atmospheric vacuum breaker
- Swivel inlet
- 3/8" NPSM female outlet
- Adapter, male 3/8"
- Material: Polished chrome plated brass

Product Compliance:

- ASME A112.18.1 / CSA B125.1
- NSF 61 - Section 9
- NSF 372 (Low Lead Content)
- ASSE 1001 (VB)



Warranty: One Year (Limited)



Performance Data:

- Pressure: 20 - 125 psi
- Temperature: 40 °F - 180 °F
- Flow Rate: 11.10 GPM @ 60 psi

