



Architect/Engineering Specifications:

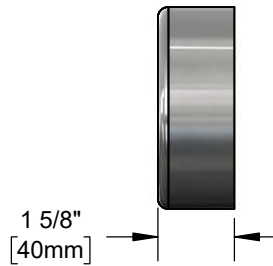
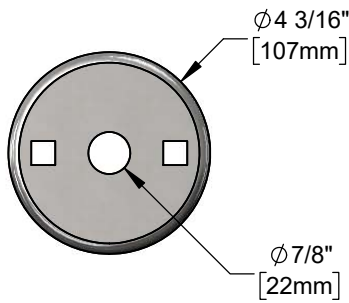
Polished chrome plated brass stanchion cap for T&S Kettle Kaddy.

Job Name _____

Model Specified _____ Quantity _____

Variations Specified _____

Date _____



Features & Benefits:

- Polished chrome plated brass stanchion cap for T&S Kettle Kaddy
- Material: Polished chrome plated brass

Product Compliance:

- N/A

Warranty: One Year (Limited)

Performance Data:

- N/A

