



Architect/Engineering Specifications:

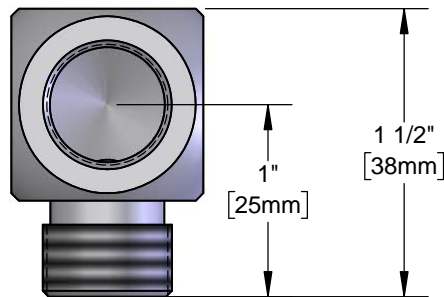
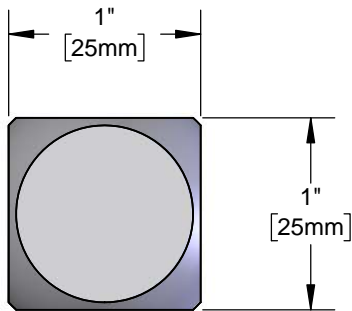
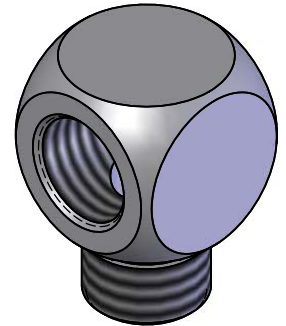
Polished chrome plated pedestal cube, 3/8" NPSL male thread. Certified to NSF 61-Section 9 and NSF 372.

Job Name _____

Model Specified _____ Quantity _____

Variations Specified _____

Date _____



Features & Benefits:

- Pedestal cube
- 3/8" NPSL male thread
- Material: Polished chrome plated brass

Product Compliance:

- NSF 61 - Section 9
- NSF 372 (Low Lead Content)



Warranty: One Year (Limited)

Performance Data:

- N/A

