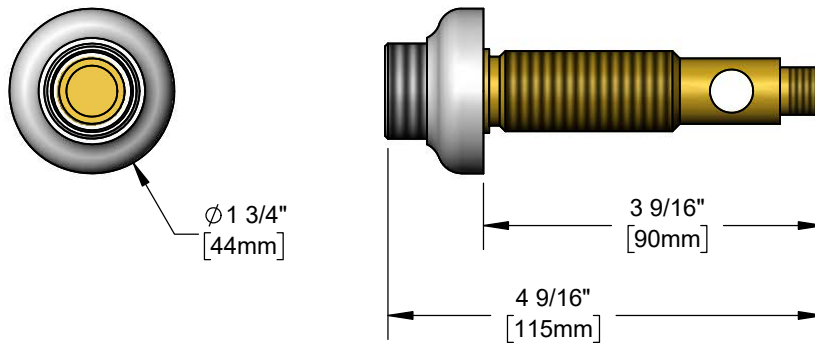
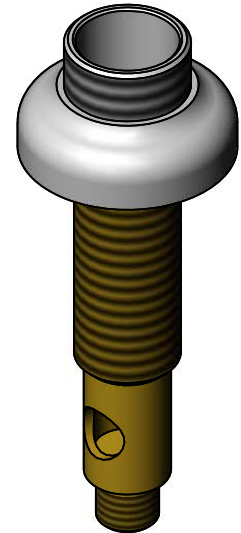




Architect/Engineering Specifications:

Swivel center body with 1-20 UN male outlet. Certified to NSF 61-Section 9 and NSF 372.

Job Name _____
 Model Specified _____ Quantity _____
 Variations Specified _____
 Date _____



Features & Benefits:

- Swivel center body
- 1-20 UN male outlet
- Material: Polished chrome plated brass flange

Product Compliance:

- NSF 61 - Section 9
- NSF 372 (Low Lead Content)



Warranty: One Year (Limited)



Performance Data:

- N/A

