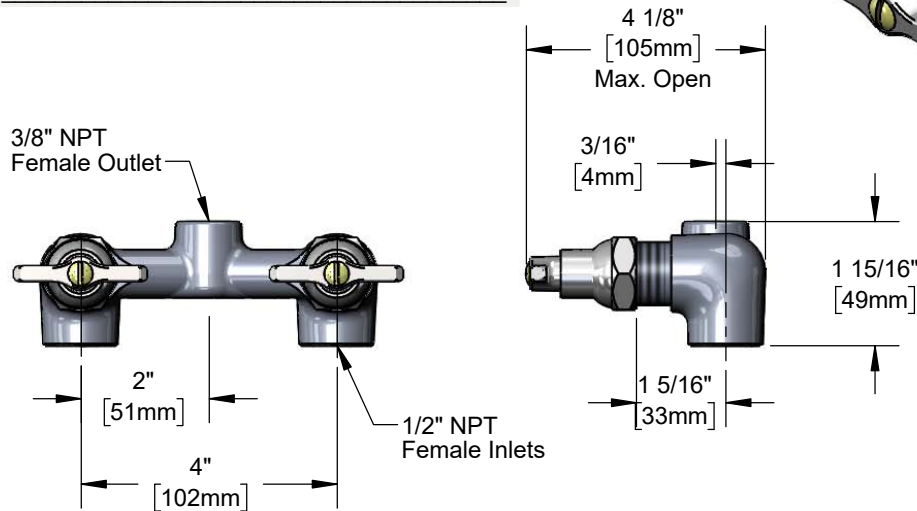
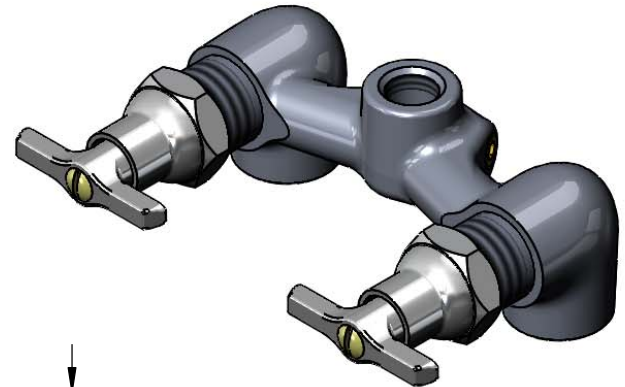




Architect/Engineering Specifications:

4" mixing valve with removable seats, loose key t-handles, 3/8" NPT female outlet and 1/2" NPT inlets. Certified to ASME A112.18.1/CSA B125.1, NSF 61-Section 9 and NSF 372.

Job Name _____
 Model Specified _____ Quantity _____
 Variations Specified _____
 Date _____



Features & Benefits:

- 4" mixing valve
- Removable seats
- Removable loose key t-handles
- 3/8" NPT female outlet
- 1/2" NPT female inlets
- Material: Rough chrome plated brass body & chrome plated metal t-handles

Product Compliance:

- ASME A112.18.1 / CSA B125.1
- NSF 61 - Section 9
- NSF 372 (Low Lead Content)



Warranty: One Year (Limited)

Performance Data:

- Pressure: 20 - 125 psi
- Temperature: 40 °F - 140 °F
- Flow Rate: TBD GPM @ 60 psi

