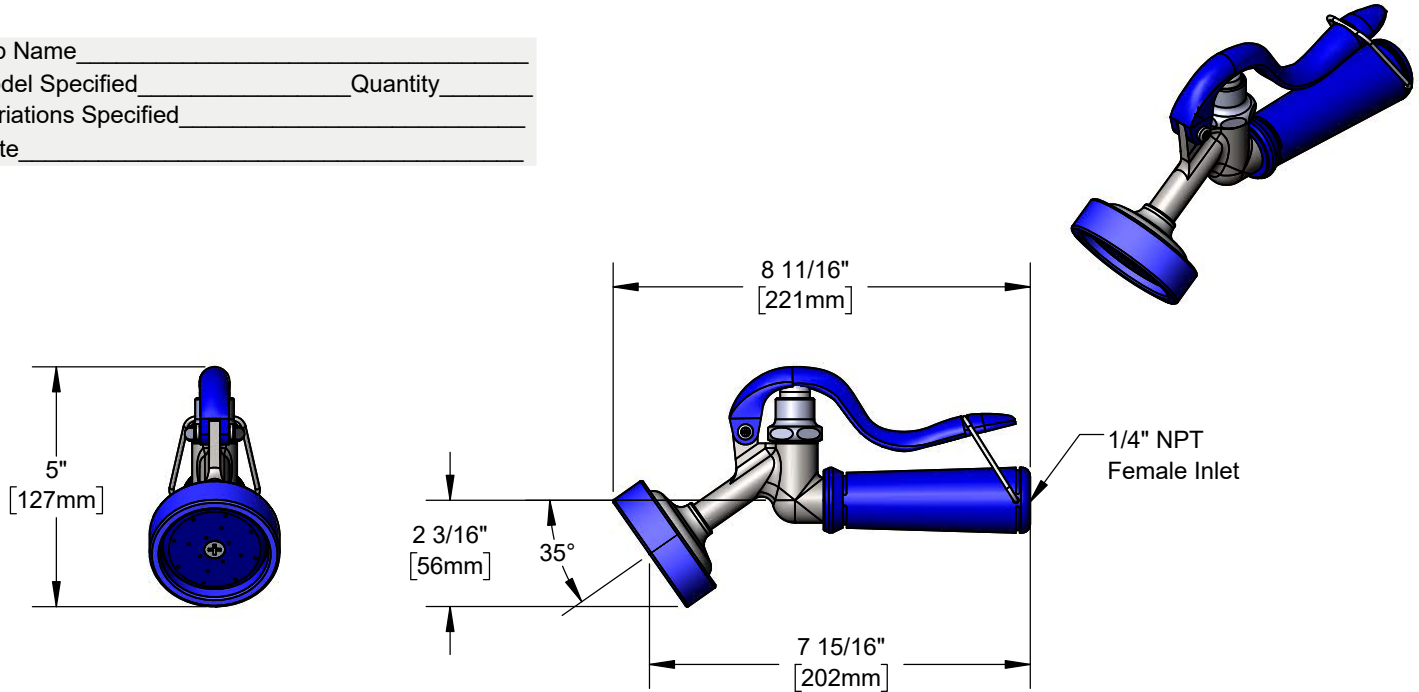




Architect/Engineering Specifications:

Aluminum 35° angle spray valve, 1/4" female inlet, heat resistant handle and hold down clip. Certified to ASME A112.18.1/CSA B125.1.

Job Name _____
 Model Specified _____ Quantity _____
 Variations Specified _____
 Date _____



Features & Benefits:

- 35° angle spray valve
- 1/4" female inlet
- Heat resistant rubber grip
- Hold down clip
- Material: Aluminum body

Product Compliance:

- ASME A112.18.1 / CSA B125.1
- NSF 61 Exempt (Non-Potable)



Warranty: One Year (Limited)

Performance Data:

- Pressure: 20 - 125 psi
- Temperature: 40 °F - 140 °F
- Flow Rate: 5.05 GPM @ 60 psi

