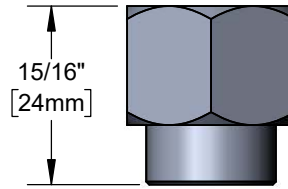
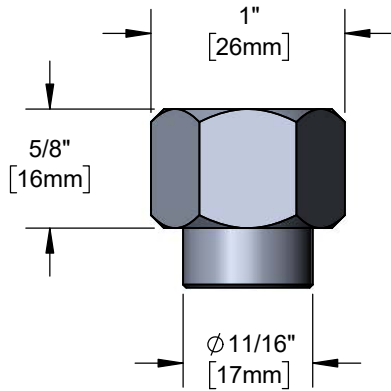




**Architect/Engineering Specifications:**

Pet grooming adapter kit. Connects to 3/8" male outlets, 3/8" NPT female outlet and 1/4" NPT female inlet.

Job Name \_\_\_\_\_  
 Model Specified \_\_\_\_\_ Quantity \_\_\_\_\_  
 Variations Specified \_\_\_\_\_  
 Date \_\_\_\_\_



**Features & Benefits:**

- 3/8" NPT female outlet
- 1/4" NPT female inlet

**Product Compliance:**

- NSF 61 Exempt (Non-Potable)

**Warranty:** One Year (Limited)

**Performance Data:**

- N/A

