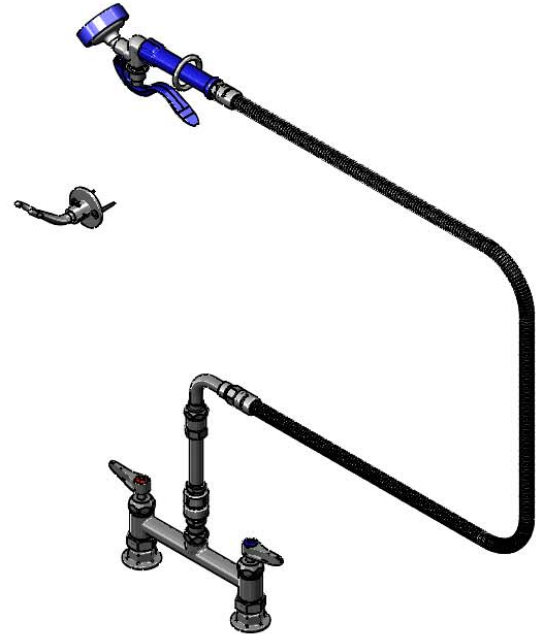
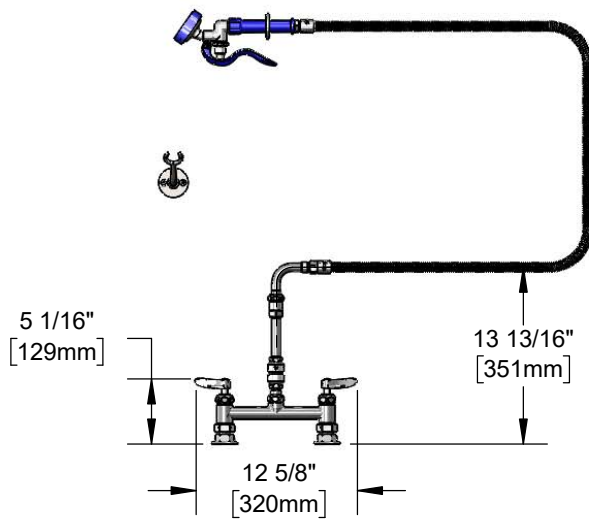




**Architect/Engineering Specifications:**

8" deck mount mixing faucet with polished chrome plated brass body, 60" flexible stainless steel hose, high flow angled spray valve (blue), ceramic cartridges with check valves, lever handles, vacuum breaker, hanger hook and 1/2" NPT female inlets. Certified to ASME A112.18.1/CSA B125.1 and CSA B64.8.

Job Name \_\_\_\_\_  
 Model Specified \_\_\_\_\_ Quantity \_\_\_\_\_  
 Variations Specified \_\_\_\_\_  
 Date \_\_\_\_\_



**Features & Benefits:**

- 8" deck mount mixing faucet with polished chrome plated brass body
- 60" flexible stainless steel hose w/ heat resistant blue handle and hold down ring
- High flow angled spray valve
- Quarter-turn Cerama cartridges with check valves to prevent cross flow of water
- Lever handles w/ color coded indexes
- 1/2" NPT female eccentric inlets w/ Ø 2" flanges
- Adjustable centers from 7 3/4" to 8 1/4"
- Material: Polished chrome plated brass body & vacuum breaker and chrome plated metal handles

**Product Compliance:**

- ASME A112.18.1 / CSA B125.1
- NSF 61 Exempt (Non-Potable)
- EPA Act 2005 Non-Compliant (PRSV)
- CSA B64.8 (VB)



**Warranty:** One Year (Limited)

- Cerama Cartridge: Lifetime (Limited)

**Performance Data:**

- Pressure: 20 - 125 psi
- Temperature: 40 °F - 140 °F
- Flow Rate: 4.10 GPM @ 60 psi

**Optional Handles**

- 4" Wrist Action
- Lever (Standard)
- 4-Arm

**Optional Pre-Rinse Spray Valves**

- B-0107 (1.42 GPM)
- B-0107-C (0.65 GPM)
- B-0107-J (1.07 GPM)
- B-0108 (1.48 GPM)
- B-0108-C (0.65 GPM)

**Optional Cartridges With Checks**

- Quarter-Turn Cerama w/ Check Valve (Standard)
- Quarter-Turn Eterna w/ Spring Check

