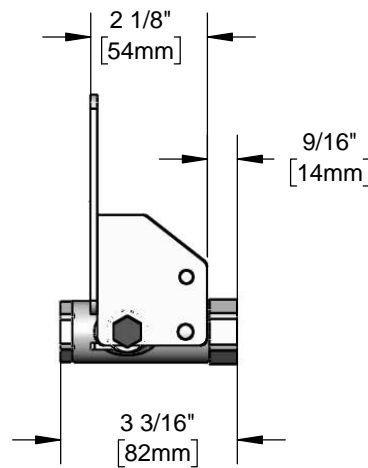
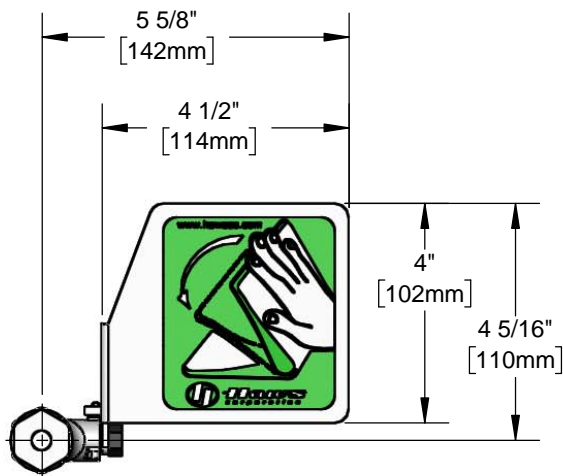
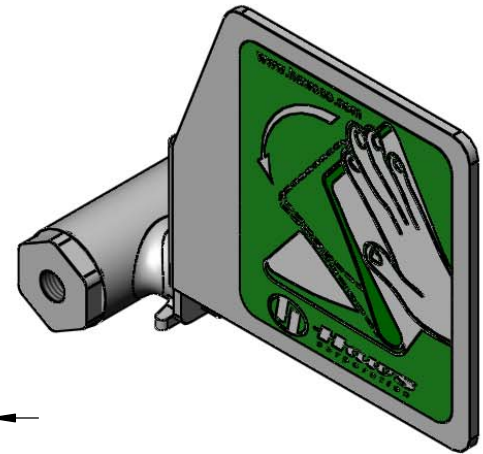




Architect/Engineering Specifications:

Stainless steel push flag with stay open chrome plated brass ball valve, stainless steel stem and ball, 1/2" NPT female inlet and 1/4" NPT female outlet. Certified to ANSI Z358.1.

Job Name _____
 Model Specified _____ Quantity _____
 Variations Specified _____
 Date _____



Features & Benefits:

- Stainless steel push flag
- Stay open chrome plated brass ball valve
- Stainless steel stem and ball
- 1/2" NPT female inlet
- 1/4" NPT female outlet
- Material: Chrome plated brass valve w/ stainless steel ball and stem

Product Compliance:

- NSF 61 Exempt (Non-Potable)
- ANSI Z358.1 (Latest Revision)



Warranty: One Year (Limited)

Performance Data:

- Pressure: 30 - 90 psi
- Temperature: 60 °F - 100 °F
- Flow Rate: 3.7 GPM @ 60 psi

